

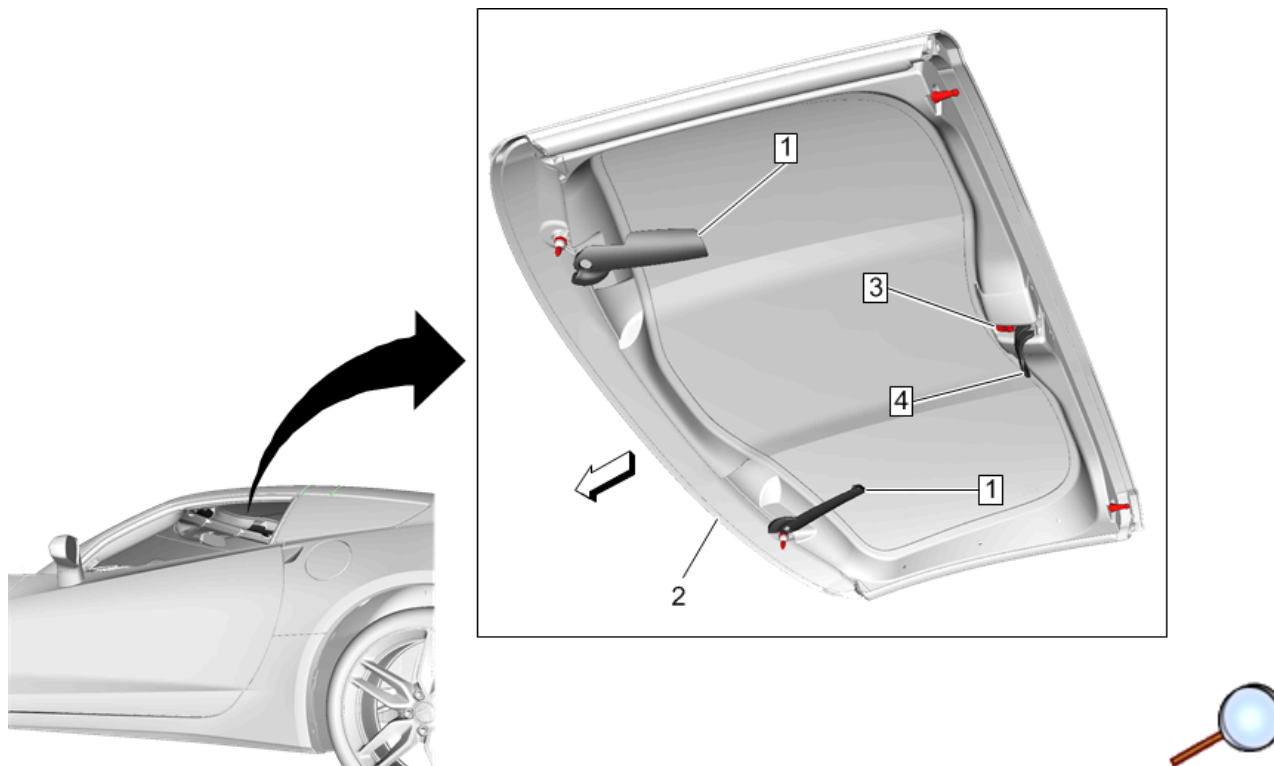
## Document ID: 4509435

# Roof Lift Off Panel Package Installation

## Installation Instructions Part Number

84141732

### Removal Procedure



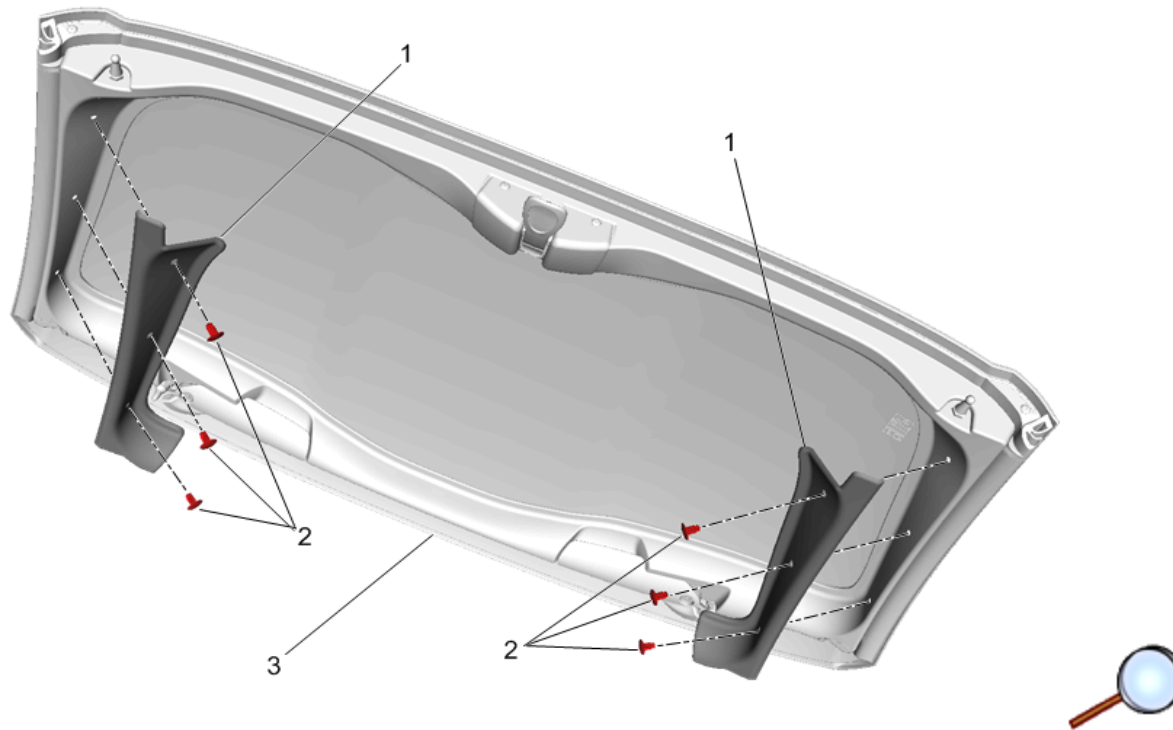
- Caution:** Perform the following procedures before removing or installing the roof lift off panel to help avoid damage.
- Park the vehicle on a level service.
  - Shift the automatic transmission into PARK.
  - Shift a manual transmission into REVERSE or FIRST gear.
  - Set the parking brake firmly.
  - Lower the side windows.

© 2018 General Motors. All rights reserved.

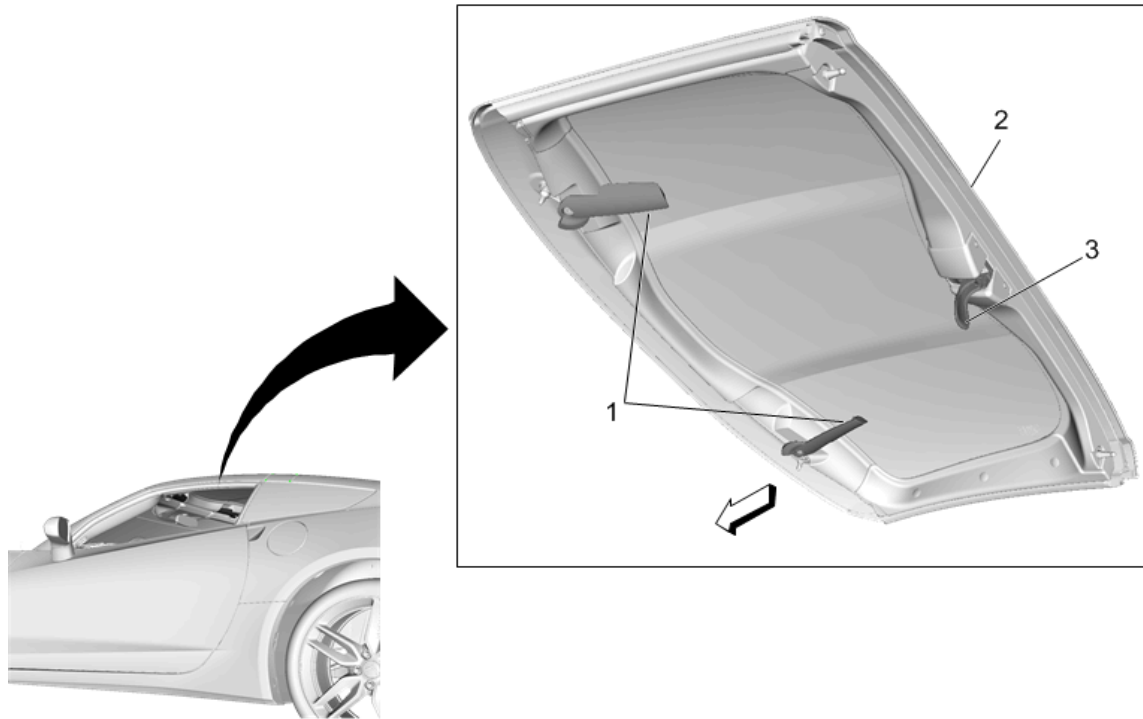
- Turn the ignition key OFF

1. Position the sunshades to the side to access the front latches.
2. Pull down the front handles (1) and rotate them toward the center of the vehicle.
3. Depress the rear latch release button (3) and rotate the rear latch lever (4) down and forward.
4. Lift the front of the roof panel (2) and slide the roof panel forward releasing the roof locator pins from the rear locator brackets.

### Installation Procedure



1. Position the trim panels (1) to the holes in the roof panel (3).
2. Secure the trim panels with the push retainers (2).



3. Position the sunshades to the side.
4. Rotate the roof panel front (1) and rear (3) latch handles to their fully open positions.
5. Position the rear edge of the roof panel in the roof opening on top of the rear weather-strip.
6. Align the rear edge of the roof panel weather-strip with the receiving cup in the roof rear weather-strip.
- Note:** Ensure that the roof panel (2) is in alignment with the both door windows and that the roof panel adjustment are made.
7. Lower the front of the roof panel inserting the pins into the front latch strikers.
8. Adjust the roof panel. Refer to [Roof Lift Off Panel Adjustment](#).
9. Engage the front latch handles.
10. Engage the rear latch.