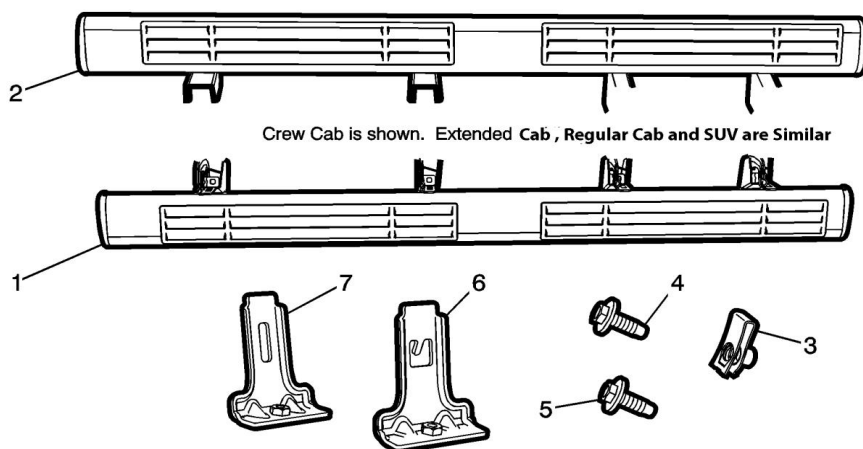


Assist Step Kit Installation (Side Assist Step)

[Installation Instructions Part Number](#)

22820420

22876450



Kit Contents

Item	Description	Qty: Regular Cab	Qty: Extended Cab and SWB SUV	Qty: Crew Cab and LWB SUV
1	Tube Assembly Driver Side	1	1	1
2	Tube Assembly Passenger Side	1	1	1
3	M8 U-Nut	12 (Gas) 9 (Diesel)	12 (Gas) 9 (Diesel)	16 (Gas) 13 (Diesel)
4	M8 Bolt	12 (Gas) 9 (Diesel)	12 (Gas) 9 (Diesel)	16 (Gas) 13 (Diesel)
5	M10 Bolt (Diesel Only)	2	2	2
6	Assist Step Upper Bracket #1 (Diesel Only)	1	1	1
7	Assist Step Upper Bracket #2 (Diesel Only)	1	1	1
8	Instruction Sheet	1	1	1

[Torque Table](#)

8mm Hardware torque to 25 Y (18 lb ft)

© 2014 General Motors. All rights reserved.

10mm Hardware torque to 50 Y (36 lb ft)

Tools Required

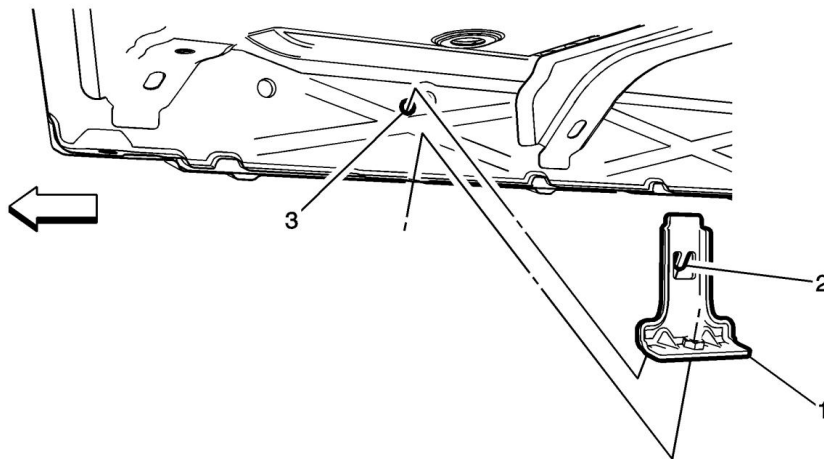
- Torque Wrench
- 13mm Socket, 15mm Socket-(Diesel Only)
- 3/8" drive Ratchet
- 3" 3/8" drive extension

Procedure

Note: Read entire instructions thoroughly before starting.

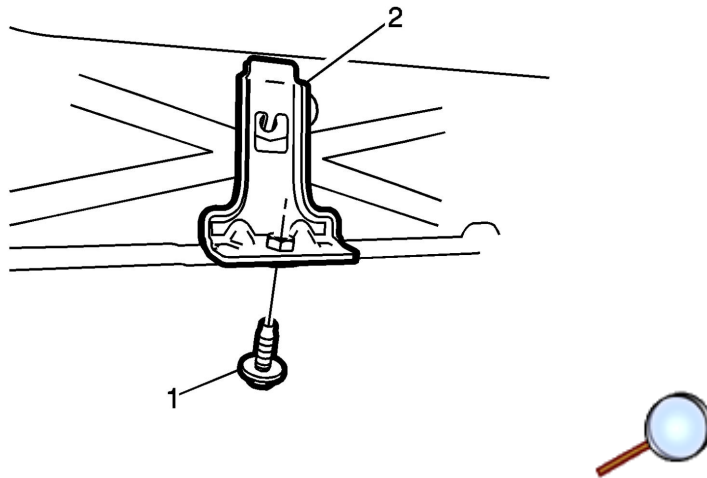
Note: Left hand and right hand assemblies are identified on the bottom side of each end of the tube.

Diesel Vehicles (Right Side Only)

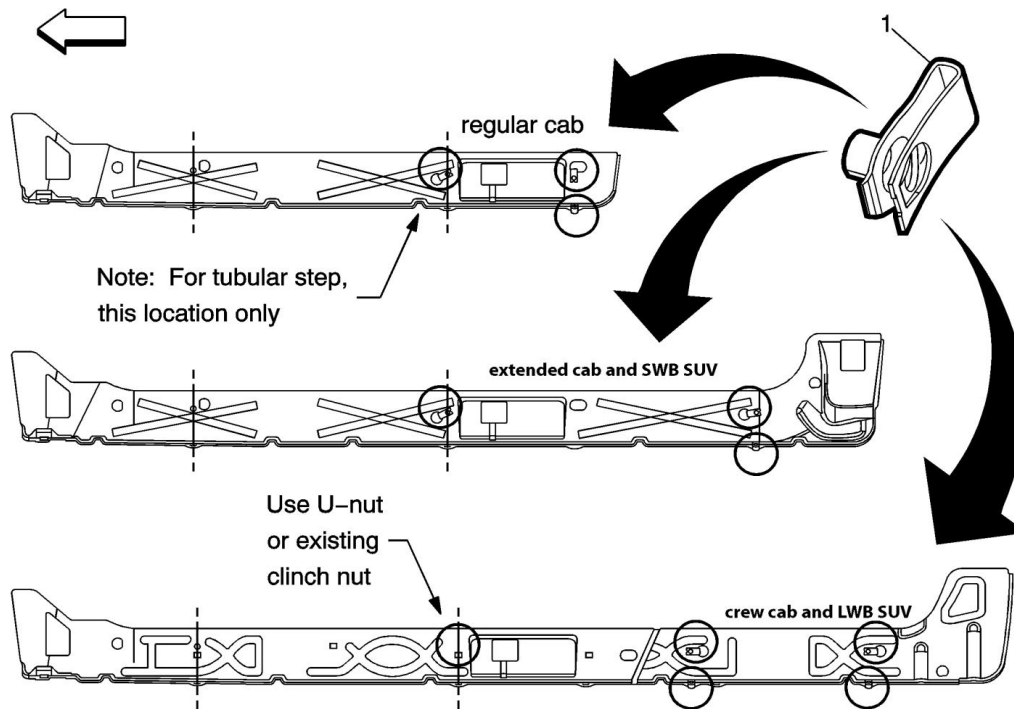


Caution: Use the correct fastener in the correct location. Replacement fasteners must be the correct part number for that application. Fasteners requiring replacement or fasteners requiring the use of thread locking compound or sealant are identified in the service procedure. Do not use paints, lubricants, or corrosion inhibitors on fasteners or fastener joint surfaces unless specified. These coatings affect fastener torque and joint clamping force and may damage the fastener. Use the correct tightening sequence and specifications when installing fasteners in order to avoid damage to parts and systems.

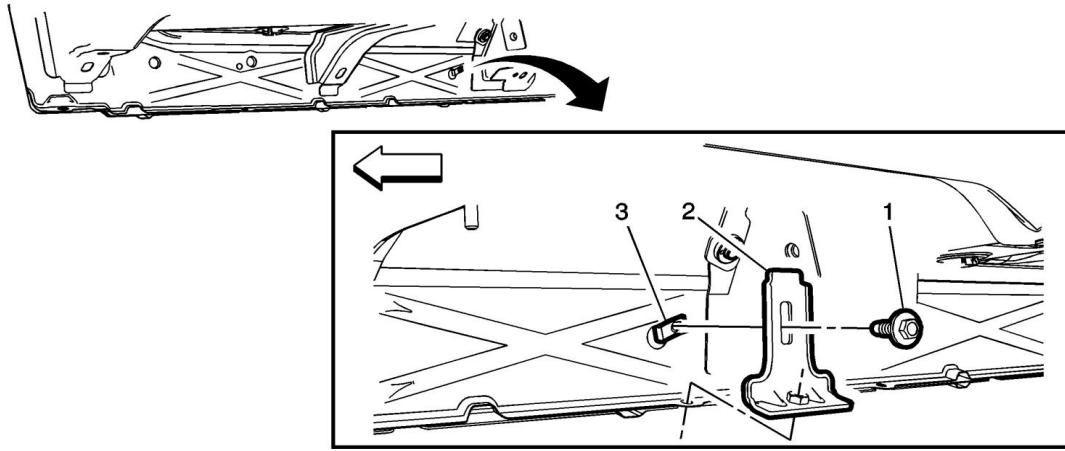
1. Position the assist step upper bracket #1 (1) to the inner rocker panel and engage the hook (2) to the hole (3).



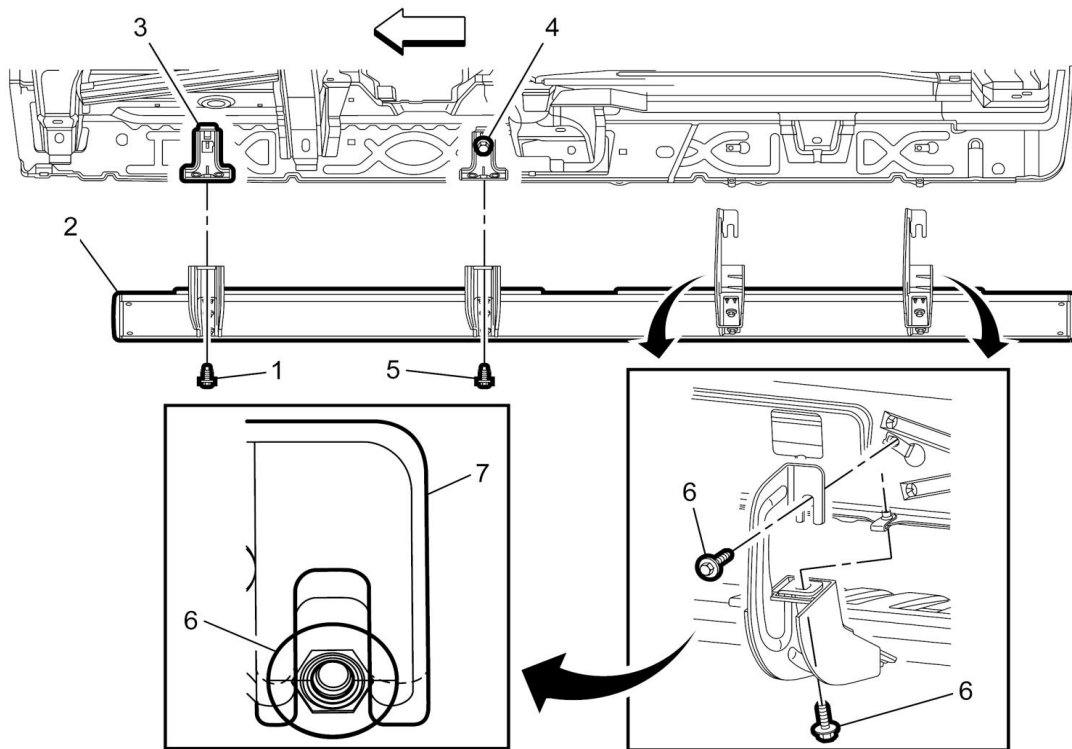
2. Install the M10 bolt (1) to the assist step upper bracket #1 (2) and tighten to seat bracket in place.
Tighten
Tighten the M10 bolt (1) to 50 Y (36 lb ft).
3. Remove the M10 bolt (1) leaving the seated assist step upper bracket #1 (2) fully in place.



4. Install U-nuts (1) (Item 3) onto existing holes in pinch flange and inner rocker panel. Refer to graphic for locations and orientation of U-nuts (1). Install U-nuts (1) with the threads up on pinch flange and with threads inside of the inner rocker panel. On some vehicles it may be necessary to remove and discard hole plugs to install the U-nuts.



5. Position the assist step upper bracket #2 (2) to the U-nut (3) on the inner rocker panel and secure with M8 bolt (1). Do not torque bolt until instructed in procedure (hand tighten only).



Note: Attachment alignment (7) may vary upon application.

6. Position the right side assist step (2) to the inner rocker panel and loosely secure with the middle and rear M8 bolts (6).
7. While holding the assist step upper bracket #1 (3) in position, install the M10 bolts (1), (5).

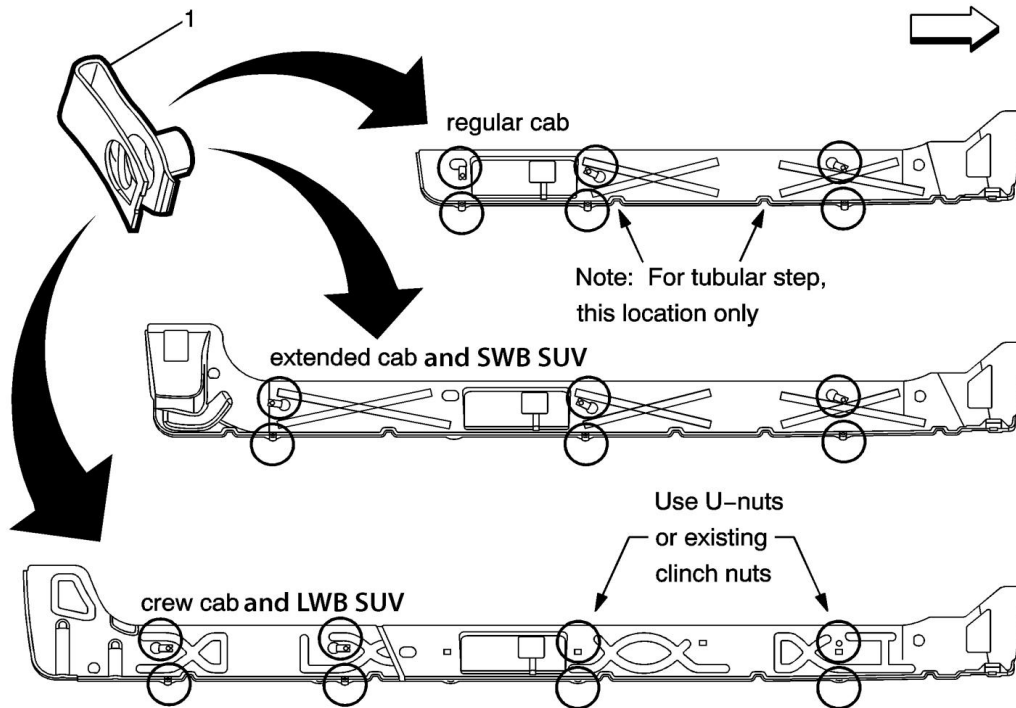
Note: Do not disengage hook on assist step upper bracket #1 while tightening bolts.

Tighten

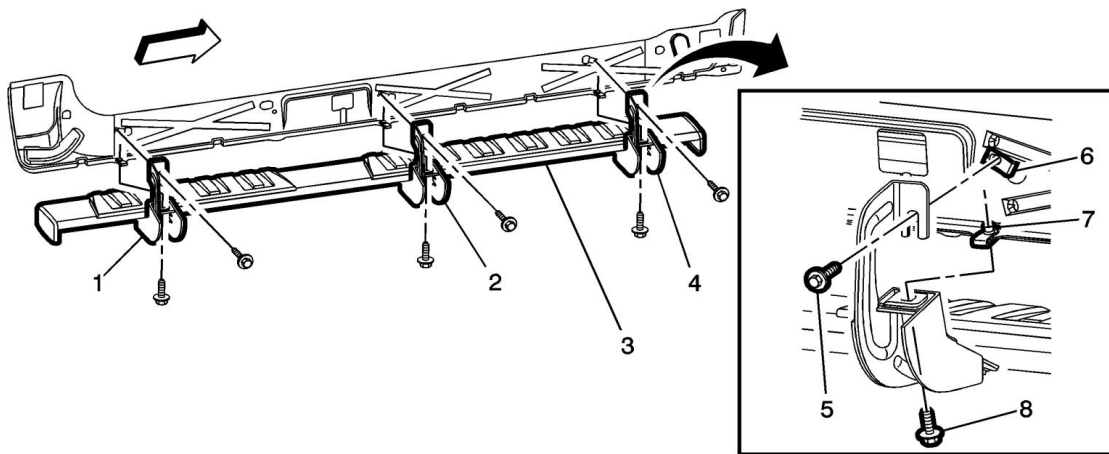
Tighten the M10 bolts (1), (5) to 50 Y (36 lb ft). Tighten
Tighten the M8 bolts (4), (6) to 25 Y (18 lb ft).

8. Verify correct torque on all hardware.

Gasoline Vehicles (Left and Right Side) and (Left Side Diesel)



1. Install U-nuts (1) (Item 3) onto existing holes in pinch flange and inner rocker panel. Refer to graphic for locations and orientation of U-nuts (1). Install U-nuts (1) with the threads up on pinch flange and with threads inside of the inner rocker panel. On some vehicles it may be necessary to remove and discard hole plugs to install the U-nuts.



2. Position the left side assist step (3) to the inner rocker panel and secure by hanging front bracket in upper slot with loosely installed M8 bolt (5). Then hang the rear bracket on loosely installed M8 bolt (5).
3. From underneath, loosely insert the M8 bolt (8) through bracket, bracket cover, rocker panel, and into U-nut (7) into position (4). Repeat for position (1), then (2).
4. Loosely insert M8 bolt (5) through bracket and into U-nut (6) in upper rocker panel position (2).

5. Tighten the M8 bolts (8) in lower positions to 25 Y (18 lb ft) in the following order position (4), position (1) and position (2).
6. Repeat step 5 for the upper positions. Tighten bolts to 25 Y (18 lb ft).
7. Repeat steps 1 through 6 for passenger side tubular assist step assembly, (Gasoline Vehicles Only).
8. Verify correct torque on all hardware.