

2014 Chevrolet Suburban/Tahoe Grille Replacement - Front Upper

Kit:

<u>Contents</u>	<u>Quantity</u>
Upper Grille	1

Required Tools:

Flathead Screwdriver
 7mm, 10mm Socket
 J 39544-KIT Complete Torque Socket Set 10 pieces

Fastener Caution:

Caution: Use the correct fastener in the correct location. Replacement fasteners must be the correct part number for that application. Do not use paints, lubricants, or corrosion inhibitors on fasteners, or fastener joint surfaces, unless specified. These coatings affect fastener torque and joint clamping force and may damage the fastener. Use the correct tightening sequence and specifications when installing fasteners in order to avoid damage to parts and systems. When using fasteners that are threaded directly into plastic, use extreme care not to strip the mating plastic part(s). Use hand tools only, and do not use any kind of impact or power tools. Fastener should be hand tightened, fully seated, and not stripped.

Eye Protection Warning

Warning: Approved safety glasses and gloves should be worn when performing this procedure to reduce the chance of personal injury.

French

Remplacement de calandre de 2014 Chevrolet Suburban/Tahoe—Avant Supérieure

Trousse :

<u>Contenu</u>	<u>Quantité</u>
Calandre supérieure	1

Outils nécessaires :

Tournevis à tête plate
 Douille 7 mm, 10 mm
 J 39544-TROUSSE Jeu de douille 10 pièces

Mise en garde sur la fixation :

Attention : Utiliser la bonne fixation au bon endroit. Les pièces de fixation de rechange doivent comporter le bon code d'article pour cette application. Ne pas utiliser de peinture, de lubrifiant ou d'inhibiteur de corrosion sur les pièces de fixation ou les surfaces de raccords de pièces de fixation à moins d'indications contraires. Ces revêtements affectent le couple de la pièce de fixation et la force de serrage du raccord et peuvent endommager la pièce de fixation. Utiliser la bonne séquence de serrage et les bonnes spécifications lors de l'installation des pièces de fixation afin d'éviter d'endommager les pièces et les systèmes. Lorsqu'on utilise des pièces de fixation filetées directement dans le plastique, il faut faire attention de ne pas arracher les filets des pièces de plastique à assembler. Utiliser uniquement des outils manuels ; n'utiliser aucun type d'outil à percussion ou d'outil électrique. La pièce de fixation doit être serrée à la main jusqu'au fond, sans arracher les filets.

Avertissement relatif à la protection des yeux

Avertissement : Il faut porter des lunettes de sécurité et des gants approuvés au moment de réaliser cette procédure pour réduire les risques de blessures.

Alternative Design Grille

IR 11AP13

PART NO.

23129266

SHEET

1

OF

7

ALL INFORMATION WITHIN ABOVE BORDER TO BE PRINTED EXACTLY AS SHOWN ON 8.5 x 11 WHITE 16 POUND NON-BOND RECYCLABLE PAPER. PRINT ON BOTH SIDES, EXCLUDING TEMPLATES. TO BE UNITIZED IN ACCORDANCE WITH GM SPECIFICATIONS.

DATE	REVISION	AUTH	DR
11AP13	Initial Release - Peter Chan	1791066	

TITLE	INSTALLATION INSTRUCTIONS		
Alternative Design Grille			
PART NO.	SHEET	OF	
23129266	1	OF	7

Juego:

<u>Contenido</u>	<u>Cantidad</u>
Rejilla superior	1

Herramientas requeridas:

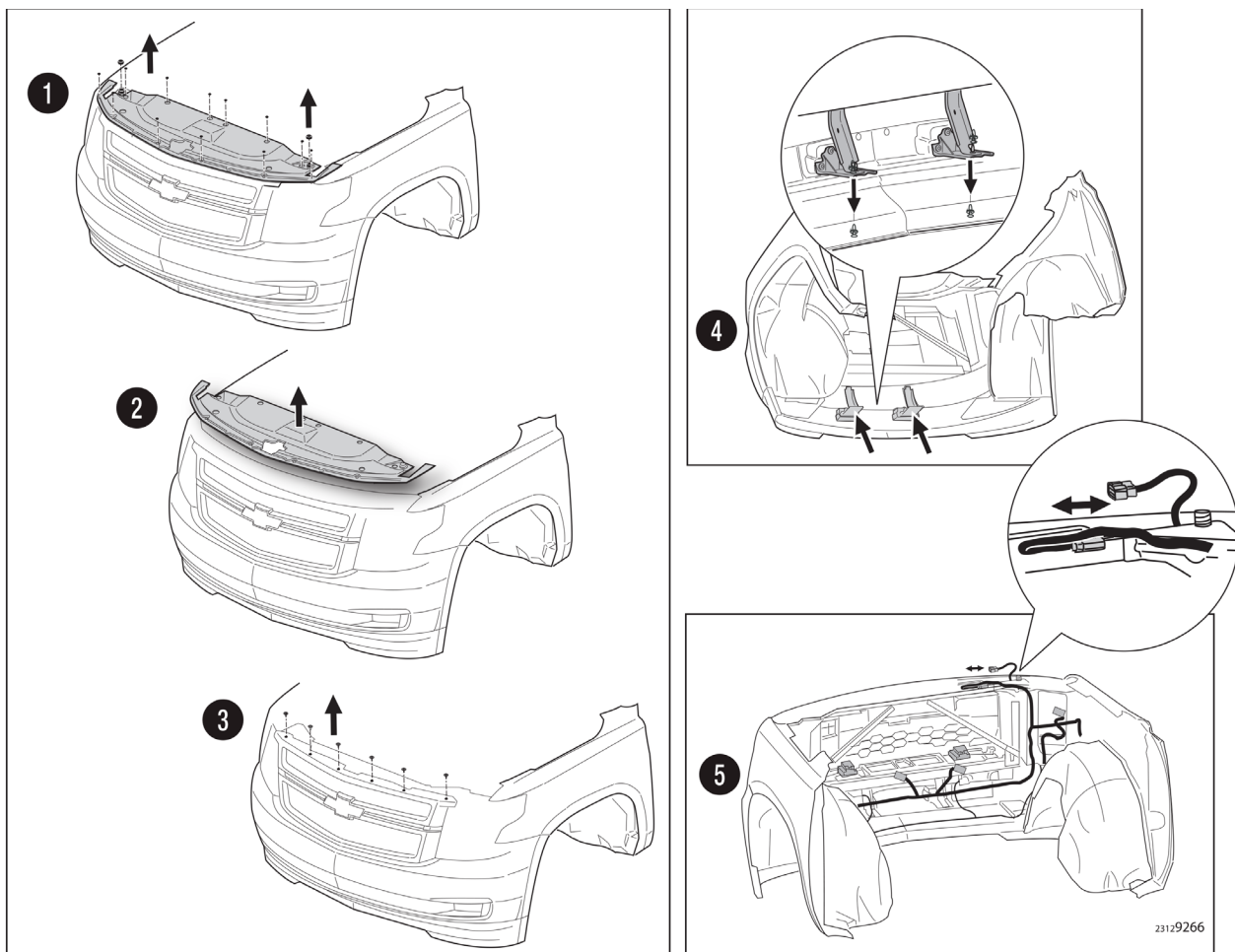
- Destornillador plano
- Casquillo de 7mm, 10mm
- J 39544-KIT Juego de casquillo de torsión completo 10 piezas

Precaución de sujetador:

Precaución: Use el sujetador correcto en la ubicación correcta. Los sujetadores de reemplazo deben ser el número de parte correcto para esa aplicación. No use pinturas, lubricantes o inhibidores de corrosión sobre sujetadores, o superficies de unión del sujetador, a menos que se especifique. Estos recubrimientos afectan el apriete del sujetador y la fuerza de sujeción de la unión y pueden dañar el sujetador. Use la secuencia y las especificaciones de apriete correctas cuando instale sujetadores para evitar dañar las partes y los sistemas. Cuando use sujetadores que se enrosquen directamente en plástico, tenga cuidado extremo para no trasroscar las partes de plástico de empate. Sólo use herramientas manuales, y no use ningún tipo de herramientas de impacto o eléctricas. El sujetador se debe apretar a mano, asentarse completamente, y no trasroscarse.

Advertencia de protección de los ojos

Advertencia: Se deben usar gafas de seguridad y guantes aprobados para realizar este procedimiento y reducir la posibilidad de lesión personal.



Alternative Design Grille

IR 11AP13

PART NO.

23129266

SHEET

2 OF 7

ALL INFORMATION WITHIN ABOVE BORDER TO BE PRINTED EXACTLY AS SHOWN ON 8.5 x 11 WHITE 16 POUND NON-BOND RECYCLABLE PAPER. PRINT ON BOTH SIDES, EXCLUDING TEMPLATES. TO BE UNITIZED IN ACCORDANCE WITH GM SPECIFICATIONS.

DATE	REVISION	AUTH	DR

TITLE

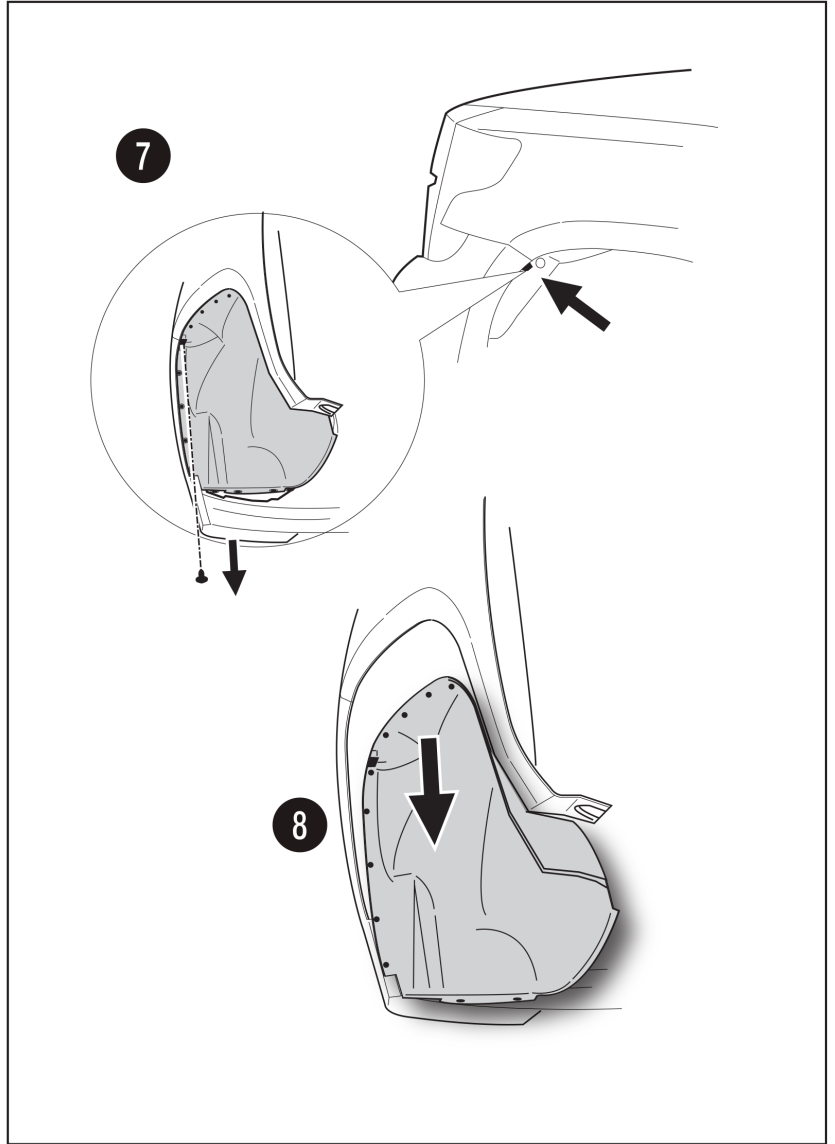
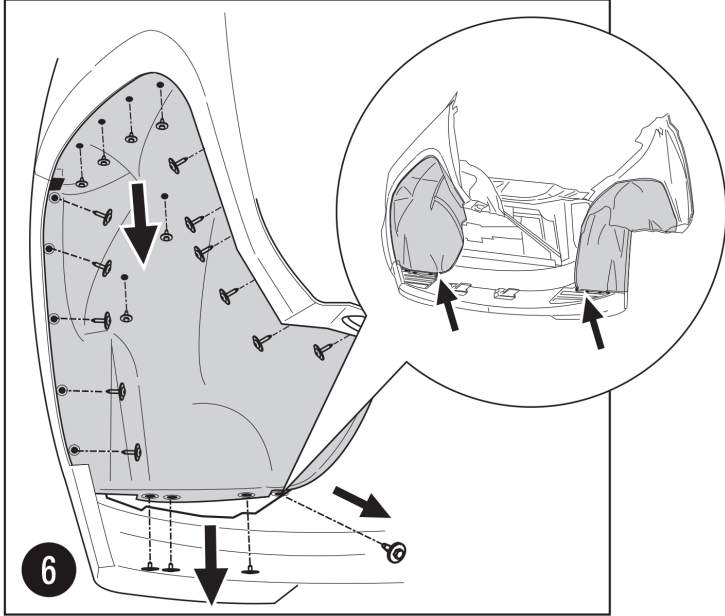
INSTALLATION INSTRUCTIONS
Alternative Design Grille

PART NO.

23129266

SHEET

2 OF 7



Alternative Design Grille

IR 11AP13

PART NO.

23129266

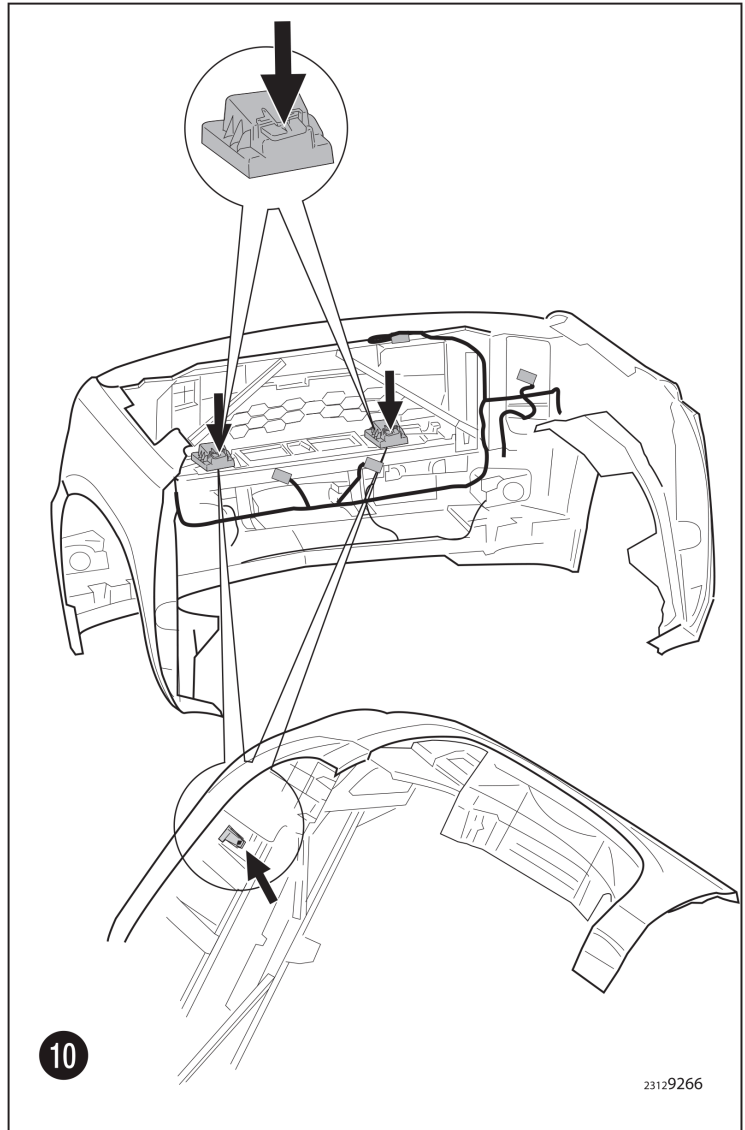
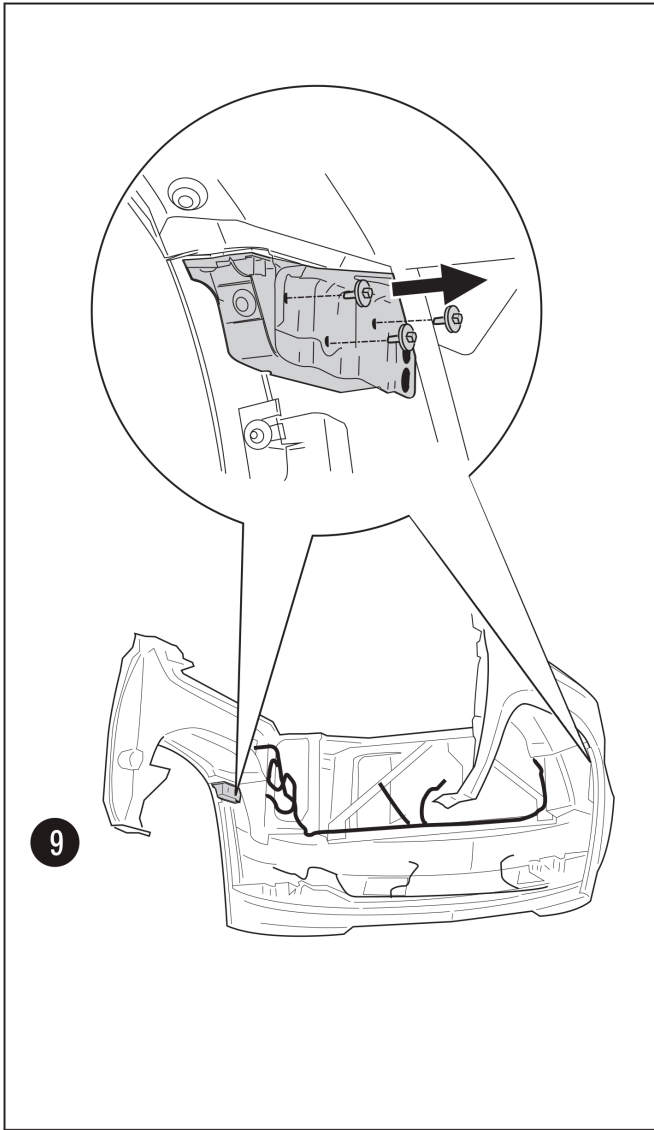
SHEET

3 OF 7

ALL INFORMATION WITHIN ABOVE BORDER TO BE PRINTED EXACTLY AS SHOWN ON 8.5 x 11 WHITE 16 POUND NON-BOND RECYCLABLE PAPER. PRINT ON BOTH SIDES, EXCLUDING TEMPLATES. TO BE UNITIZED IN ACCORDANCE WITH GM SPECIFICATIONS.

DATE	REVISION	AUTH	DR

TITLE	INSTALLATION INSTRUCTIONS		
	Alternative Design Grille		
PART NO.	23129266	SHEET	3 OF 7



Alternative Design Grille

IR 11AP13

PART NO.

23129266

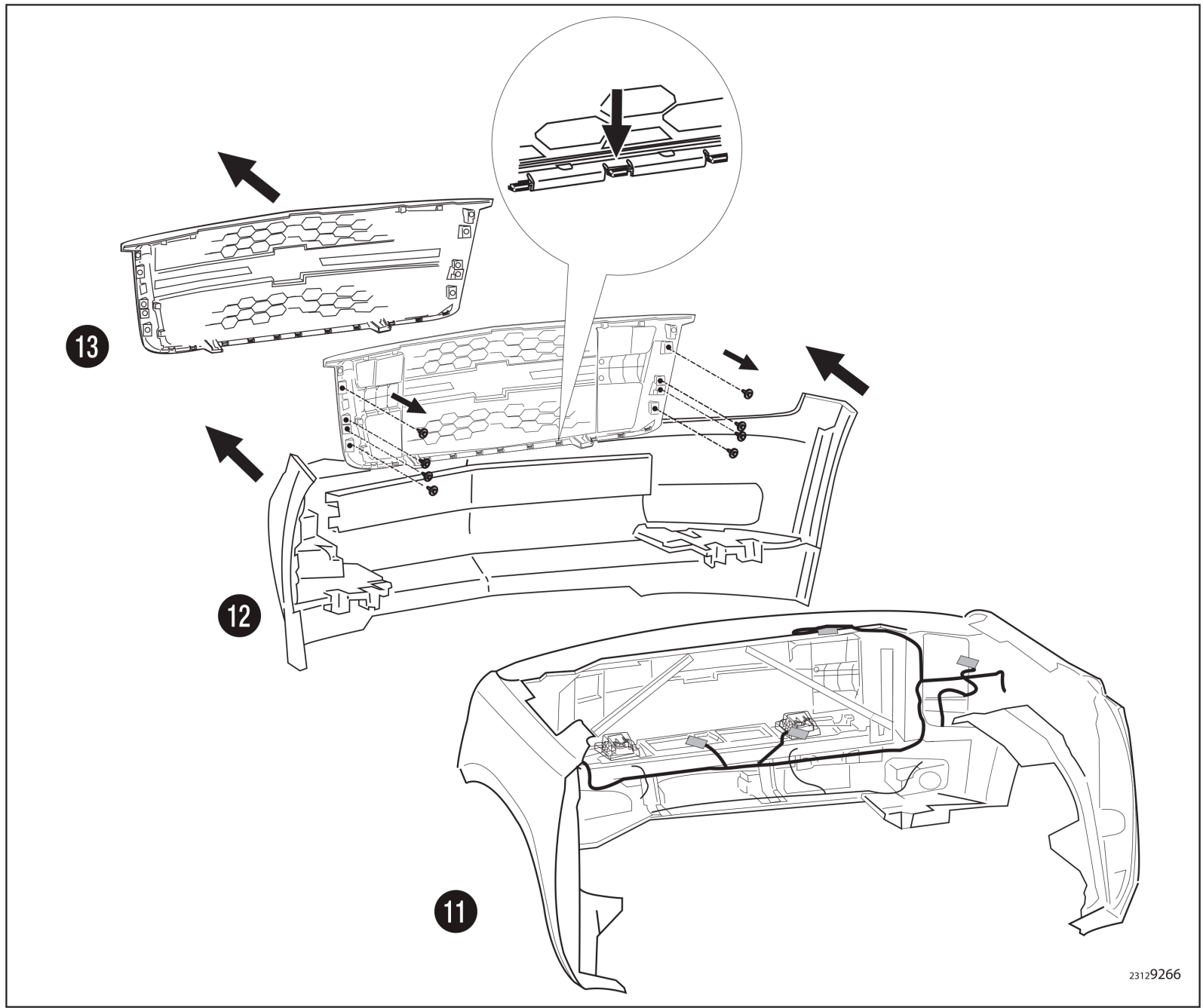
SHEET

4 OF **7**

ALL INFORMATION WITHIN ABOVE BORDER TO BE PRINTED EXACTLY AS SHOWN ON 8.5 x 11 WHITE 16 POUND NON-BOND RECYCLABLE PAPER. PRINT ON BOTH SIDES, EXCLUDING TEMPLATES. TO BE UNITIZED IN ACCORDANCE WITH GM SPECIFICATIONS.

DATE	REVISION	AUTH	DR

TITLE	INSTALLATION INSTRUCTIONS		
	Alternative Design Grille		
PART NO.	23129266	SHEET	4 OF 7



23129266

Alternative Design Grille

IR 11AP13

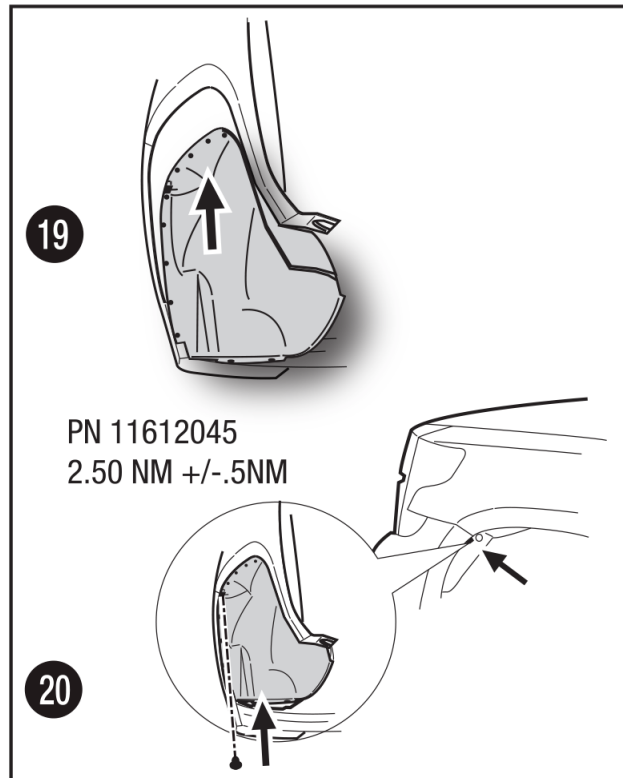
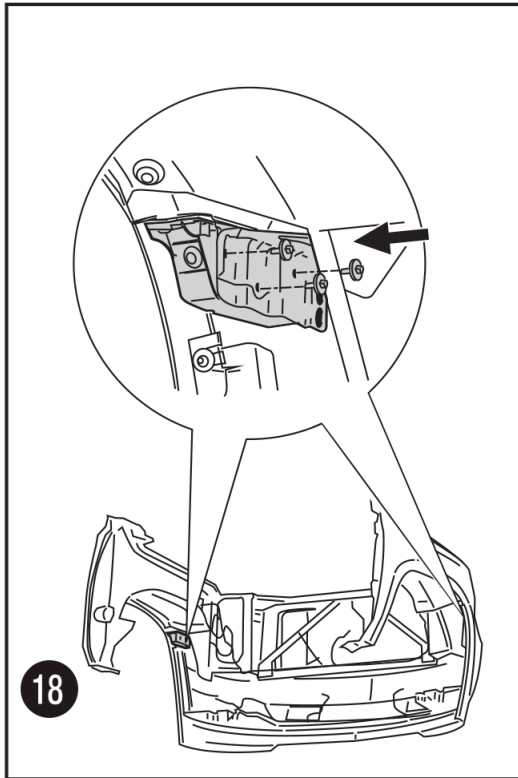
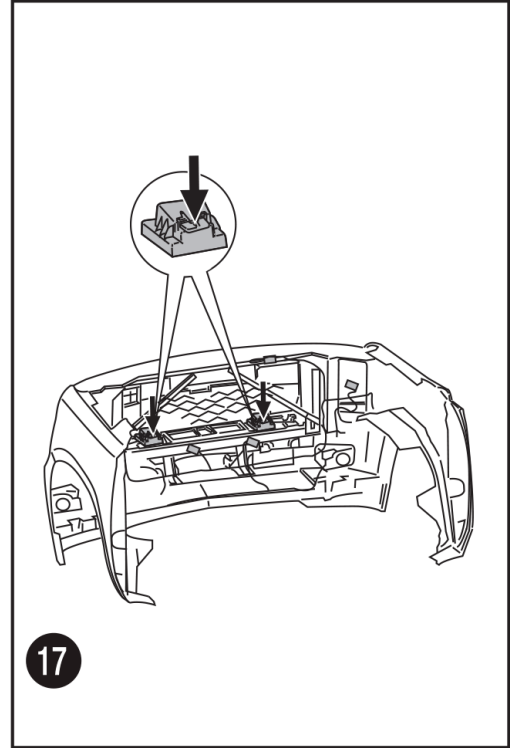
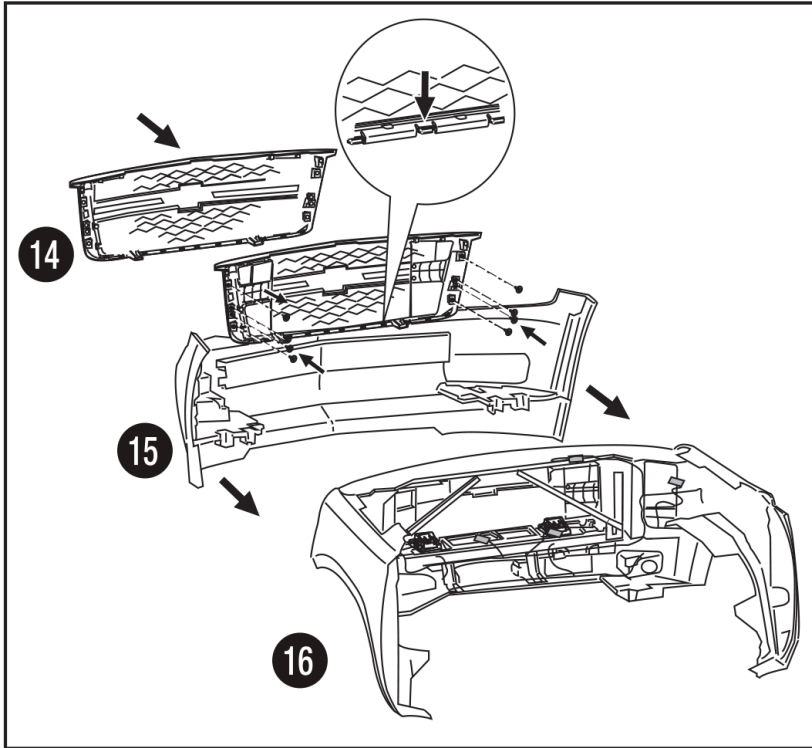
PART NO. **23129266**

SHEET **5** OF **7**

ALL INFORMATION WITHIN ABOVE BORDER TO BE PRINTED EXACTLY AS SHOWN ON 8.5 x 11 WHITE 16 POUND NON-BOND RECYCLABLE PAPER. PRINT ON BOTH SIDES, EXCLUDING TEMPLATES. TO BE UNITIZED IN ACCORDANCE WITH GM SPECIFICATIONS.

DATE	REVISION	AUTH	DR

TITLE	INSTALLATION INSTRUCTIONS Alternative Design Grille		
PART NO.	23129266	SHEET	5 OF 7



Alternative Design Grille

IR 11AP13

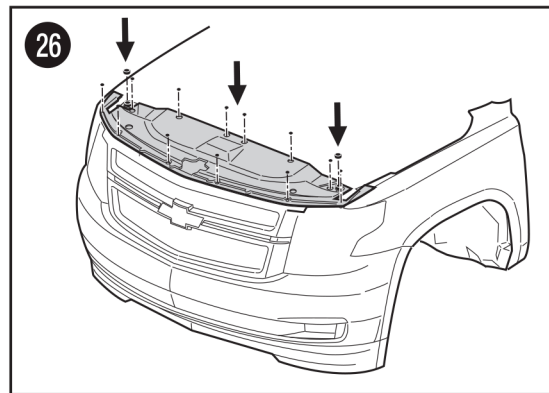
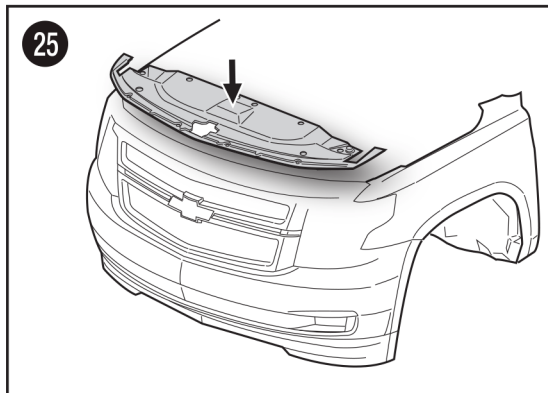
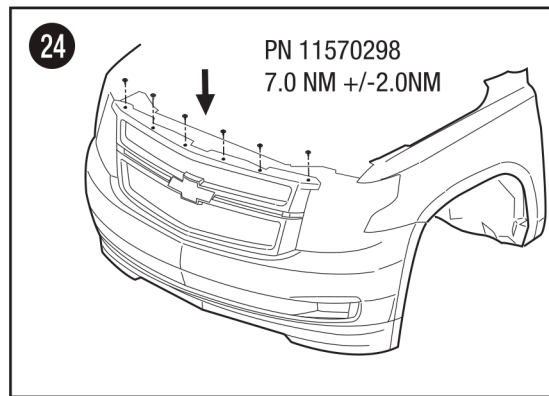
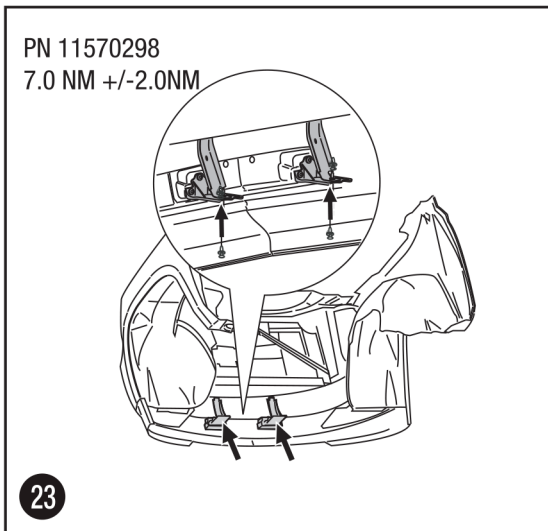
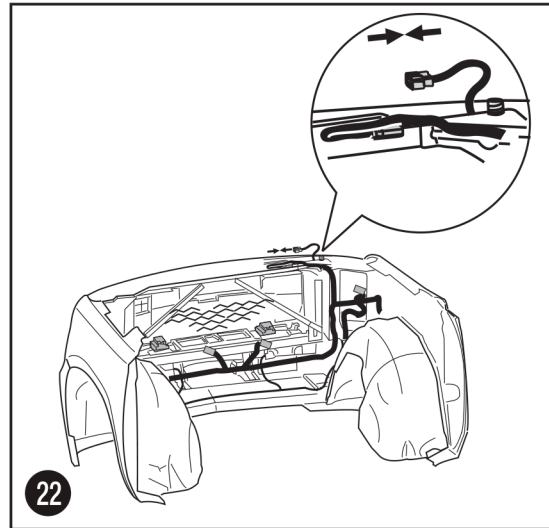
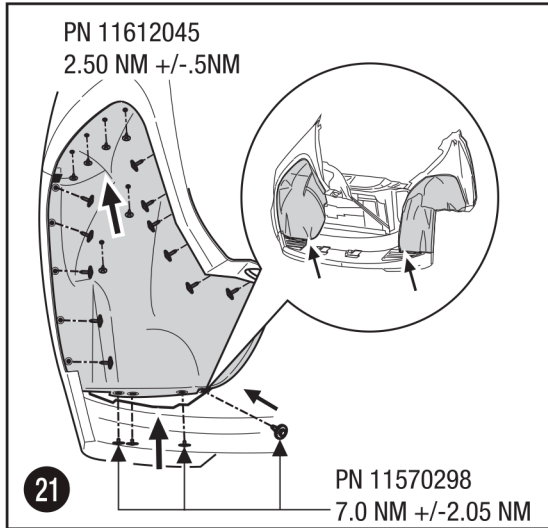
PART NO. **23129266**

SHEET **6** OF **7**

ALL INFORMATION WITHIN ABOVE BORDER TO BE PRINTED EXACTLY AS SHOWN ON 8.5 x 11 WHITE 16 POUND NON-BOND RECYCLABLE PAPER. PRINT ON BOTH SIDES, EXCLUDING TEMPLATES. TO BE UNITIZED IN ACCORDANCE WITH GM SPECIFICATIONS.

DATE	REVISION	AUTH	DR

TITLE	INSTALLATION INSTRUCTIONS		
Alternative Design Grille			
PART NO.	23129266	SHEET	6 OF 7



Alternative Design Grille

IR 11AP13

PART NO.

23129266

SHEET

7 OF **7**

ALL INFORMATION WITHIN ABOVE BORDER TO BE PRINTED EXACTLY AS SHOWN ON 8.5 x 11 WHITE 16 POUND NON-BOND RECYCLABLE PAPER. PRINT ON BOTH SIDES, EXCLUDING TEMPLATES. TO BE UNITIZED IN ACCORDANCE WITH GM SPECIFICATIONS.

DATE	REVISION	AUTH	DR

TITLE	PART NO.	SHEET	OF
INSTALLATION INSTRUCTIONS Alternative Design Grille	23129266	7	7