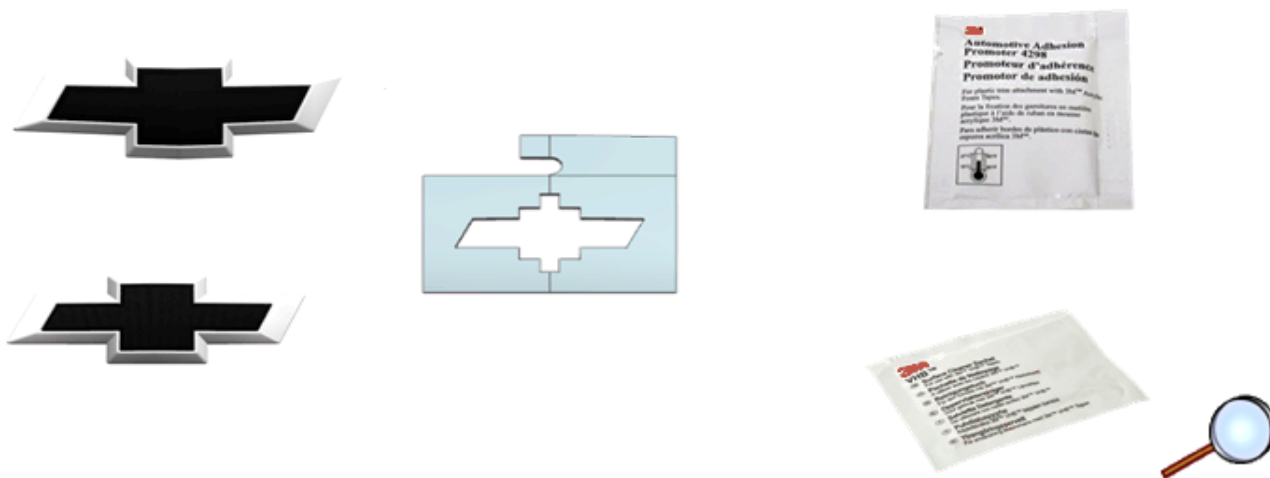


## Document ID: 4672805

# Body Emblem Package Installation

## Installation Instructions Part Number

42475533



### Kit Contents

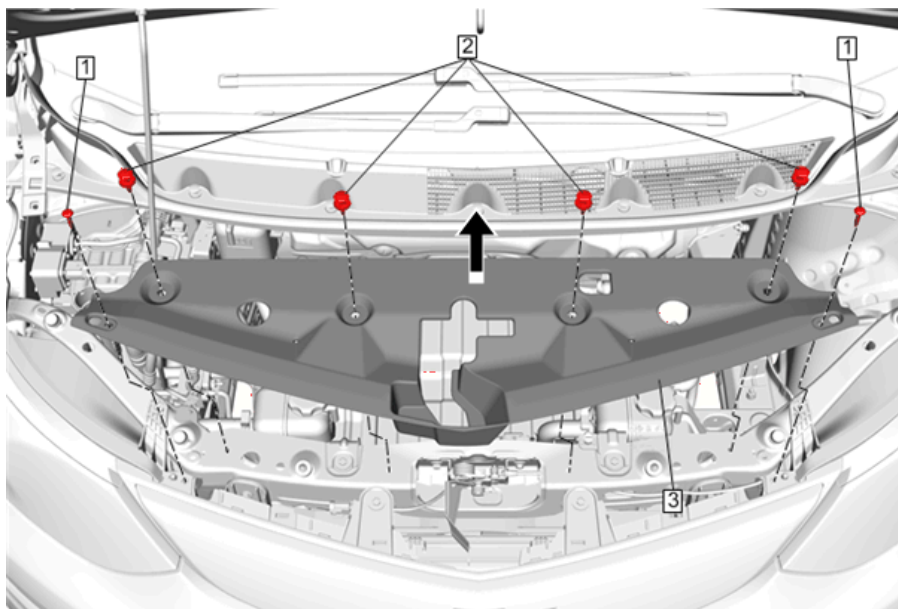
Qty	Description
1	Emblem Asm-Frt
1	Emblem Asm-RR
1	3M VHB Surface Cleaner Sachet
1	3M Automotive Adhesion Promoter 4299
1	RR Sponge Pad Jig
1	Installation Instructions

### Tools Required



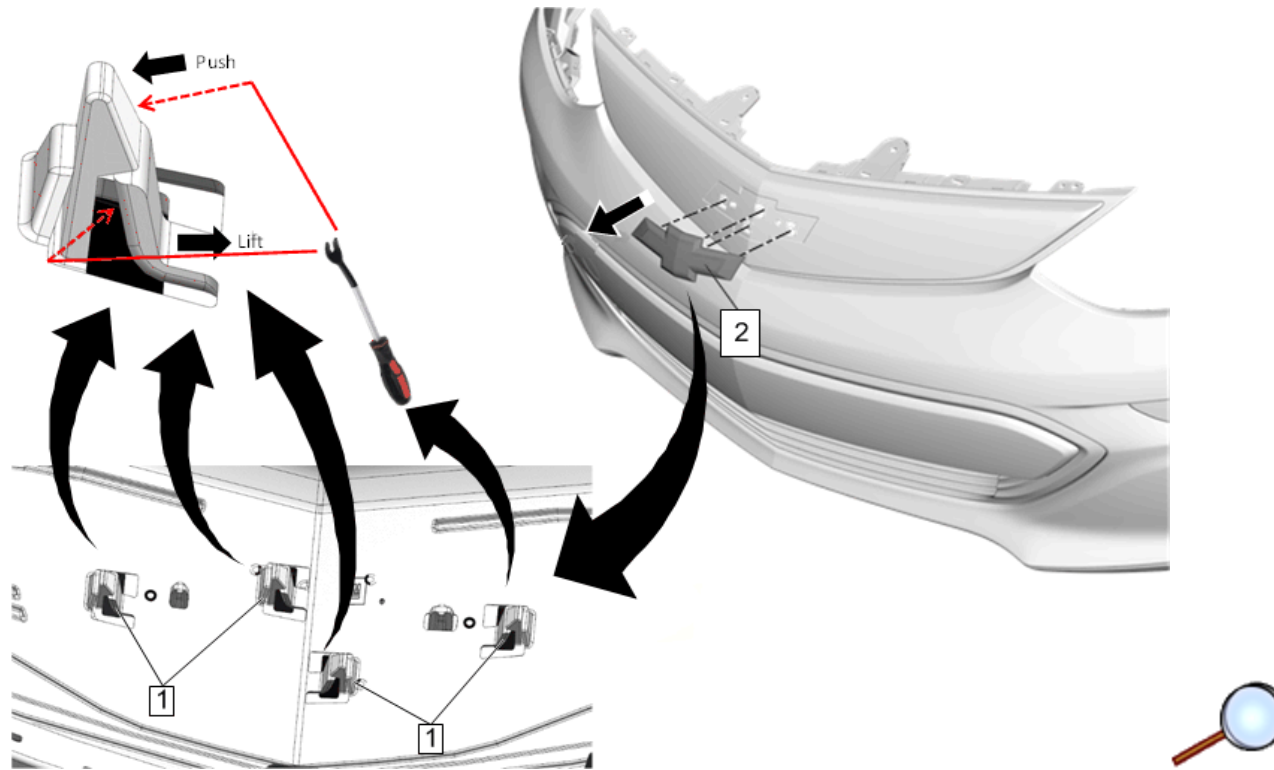
### Procedure

#### Remove Front Compartment Sight Shield



1. Remove the front compartment sight shield bolts (1).
2. Disengage the retainers (2) from the front compartment sight shield.
3. Release the four integral retainers and remove the front compartment sight shield (3).

### **Grille Bowtie Emblem**



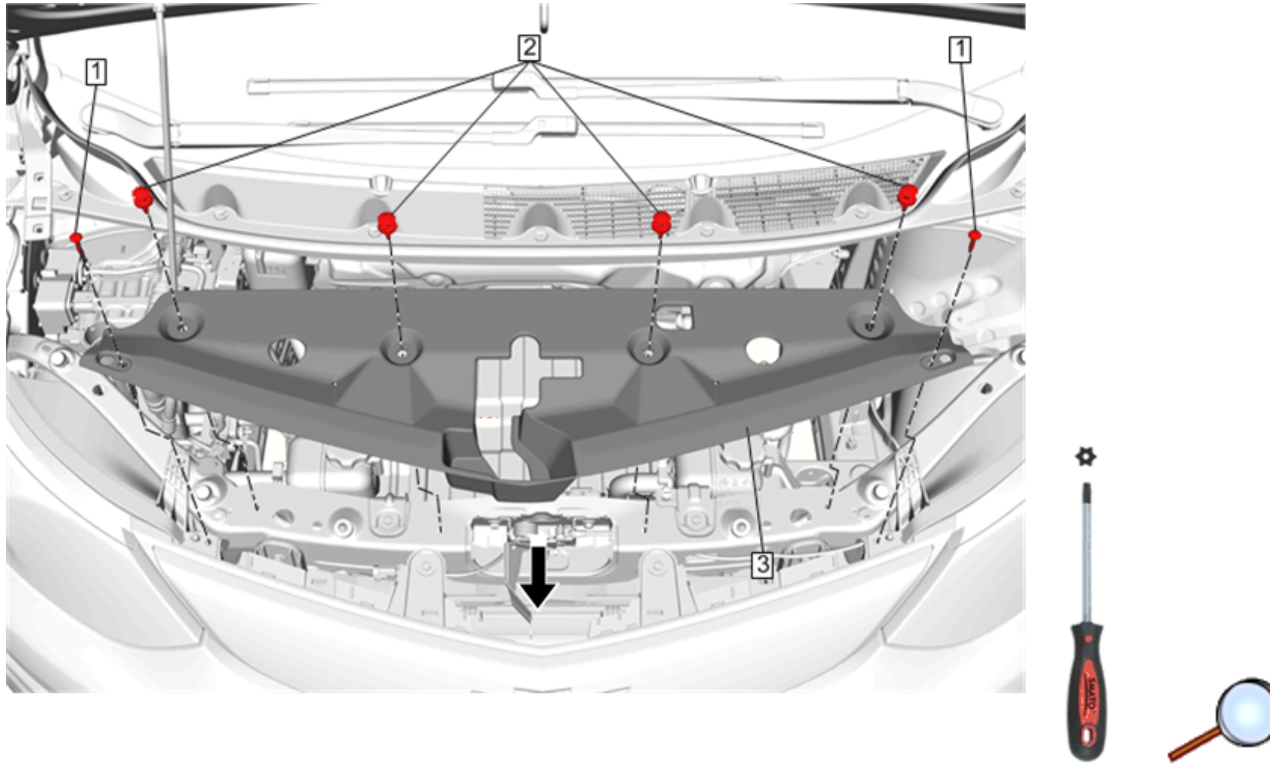
**Caution:** To avoid paint damage, protect the area surrounding the part which you are removing or installing.

1. Using a suitable flat bladed tool, release the four locking tabs (1) from the rear side of the front upper grille and pull radiator grille emblem (2) from the front upper grille.

**Note:** Use care when releasing the tabs, to not contact the grille.

2. Position the new grille emblem (1) to the grille making sure that the arrow on the back of emblem is in the upwards position and engage the locking tabs.

### Install Front Compartment Sight Shield



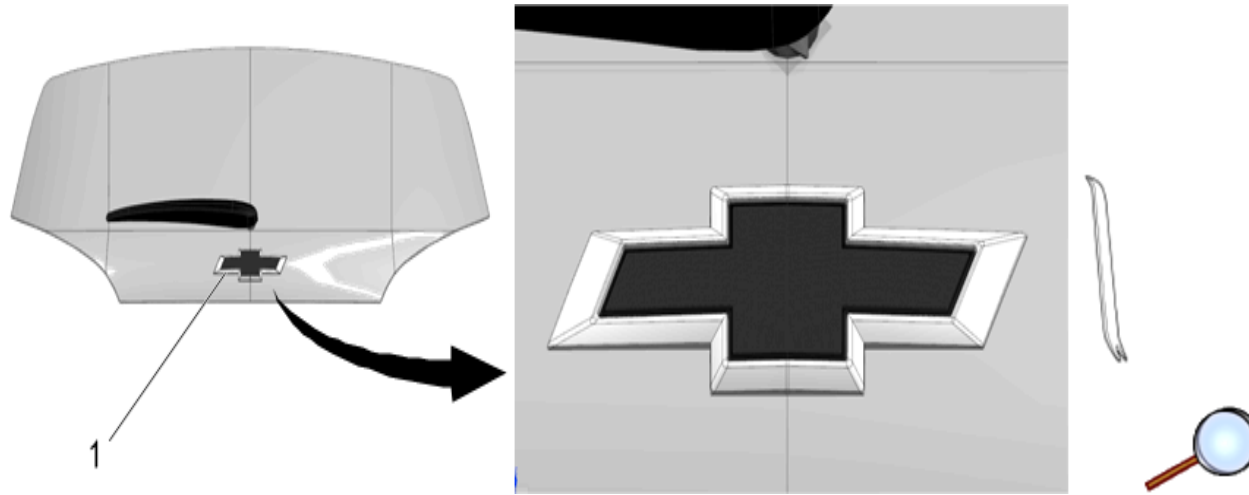
1. Install the front compartment sight shield (3) engaging the four integral retainers.
2. Install the retainers (2) to the front compartment sight shield.
3. Install the front compartment sight shield bolts (1).

### **Tighten**

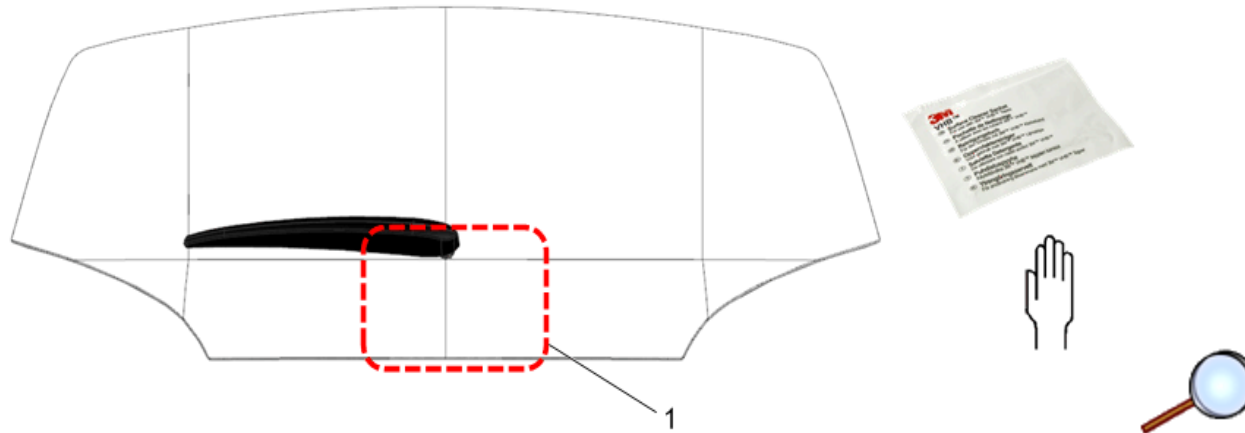
Tighten the bolts to 2.5 N.m (22 lb in).

### **Rear Glass Bowtie Emblem**

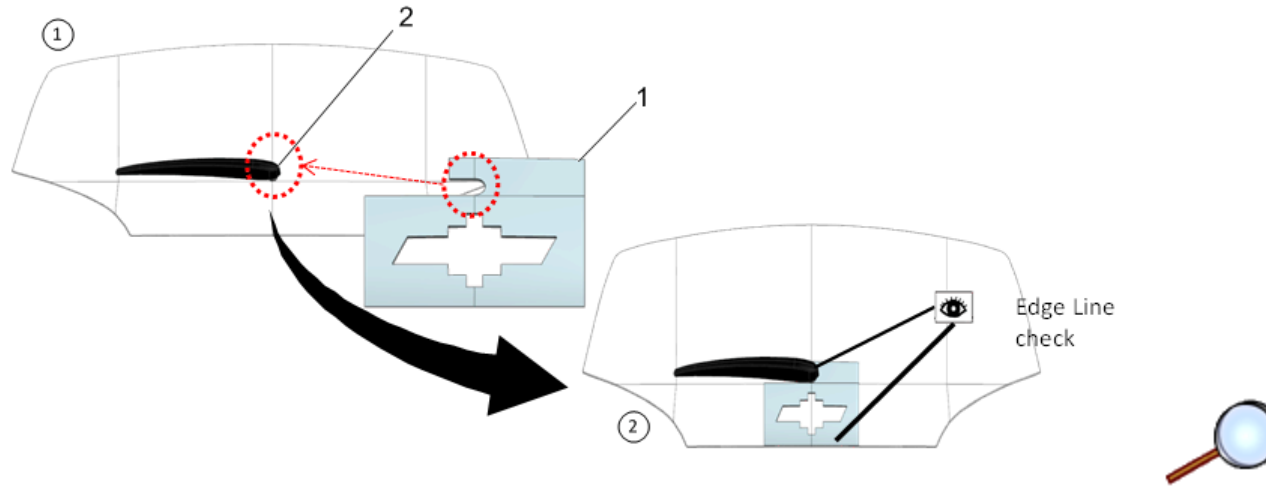
1. The part and vehicle surface should be 21°C (70°F) prior to installation. The vehicle should remain inside in a temperature range of 21°C (70°F) for 1 hour after assembly to allow the adhesive to develop sufficient bond strength.



- Note:** Use a heat gun or equivalent to assist in removal of existing bowtie.
2. Remove existing bowtie (1) utilizing a plastic flat bladed tool.

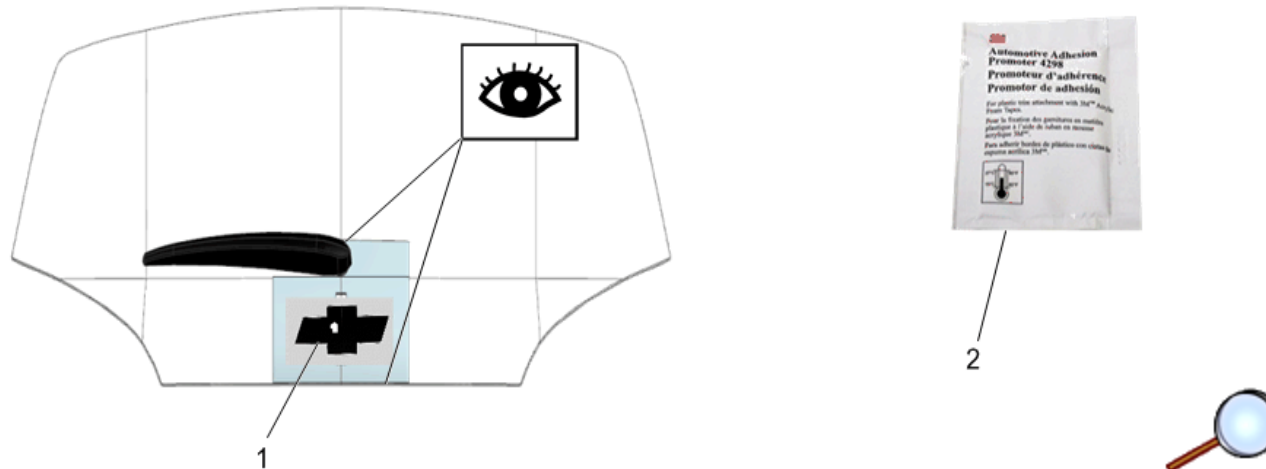


3. Clean all adhesive from the rear window area (1) with supplied 3M VHB Surface Cleaner Sachet and wipe the surface dry prior to installing the new template.



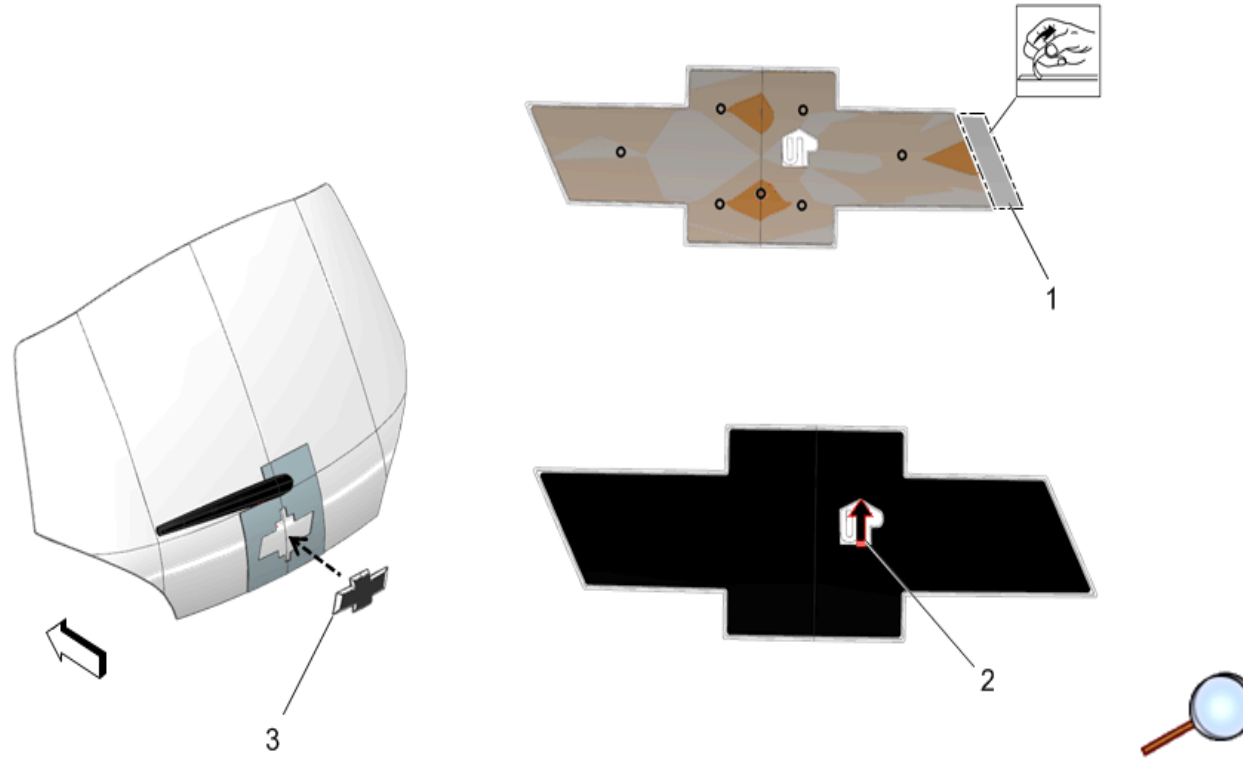
4. Position the supplied jig (1) to the rear wiper area (2) as shown and secure with tape.

**Note:** Check jig to make sure edges line up correctly.



5. Apply the supplied 3M Automotive Adhesion Promoter 4299 (2) to the inside glass area (1) of the jig.

6. If no rear bowtie exists (as during Accessory Blackout Decal Installation), follow steps 7-10 to locate the accessory bowtie.



**Note:** When removing protective liners from the adhesive tape, be careful not to touch tape with hands and do not allow tape to come in contact with dirt or any foreign matter prior to adhesion.

7. Remove the tape liner (1) from back of emblem adhesive tape.
8. Making sure the arrow (2) on the back of emblem is in the up position, install the emblem (3) to the glass area inside the jig.
9. Using the palm of the hand, wet out the emblem to the rear glass to ensure full adhesion of emblem is made.