

Installation Instructions Part Number

84027490

Kit Contents

Qty	Description
1	Left Accent Lamp
1	Right Accent Lamp
1	Wiring Kit – Harness & 8 Tie Straps
1	Instruction Sheet

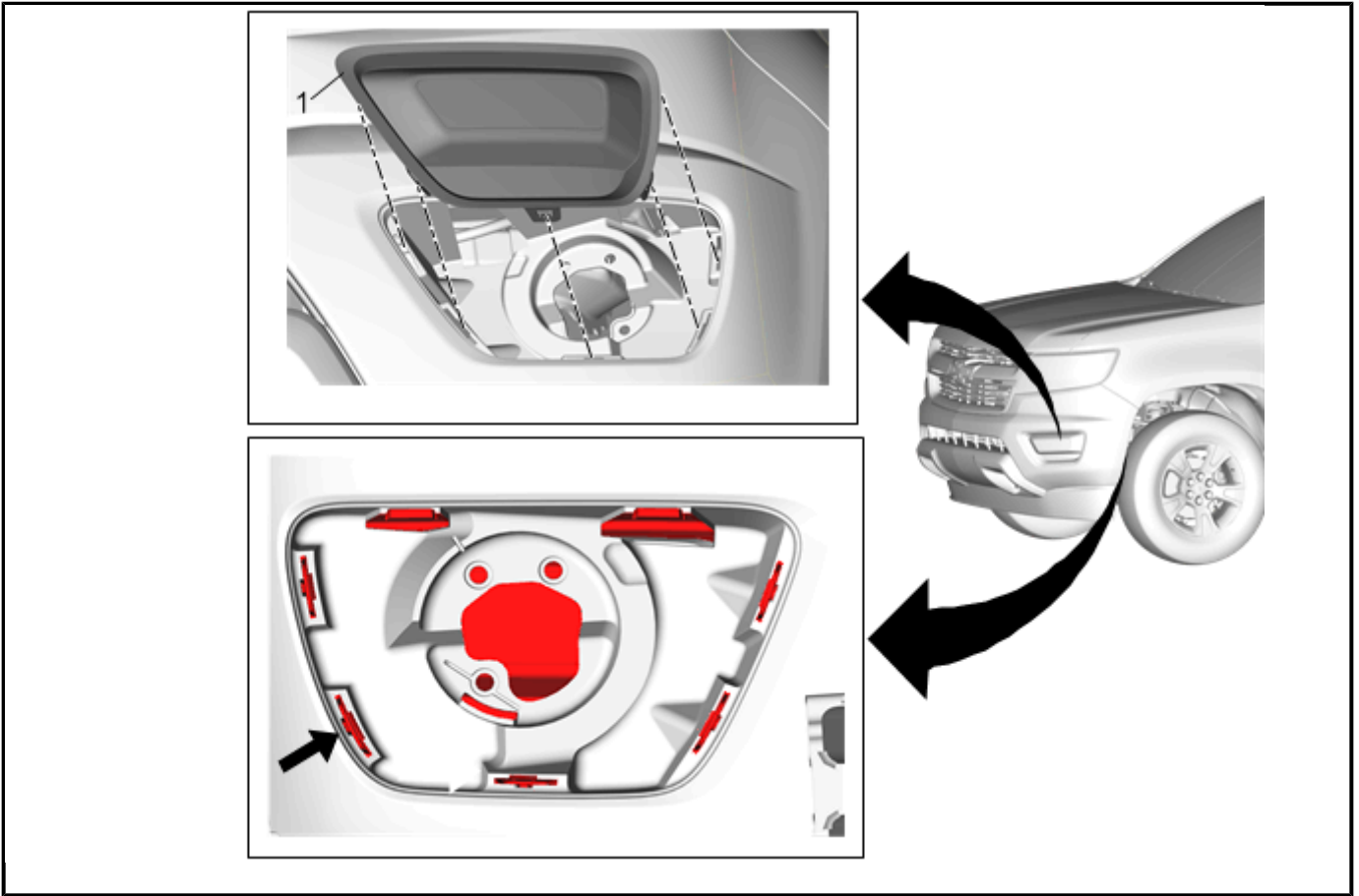
Preliminary Procedure

Note: Please review the entire procedure before trying to perform it.

Note: This accessory kit should only be installed with vehicles that have existing fog lamps or vehicles that are having fog lamps added.

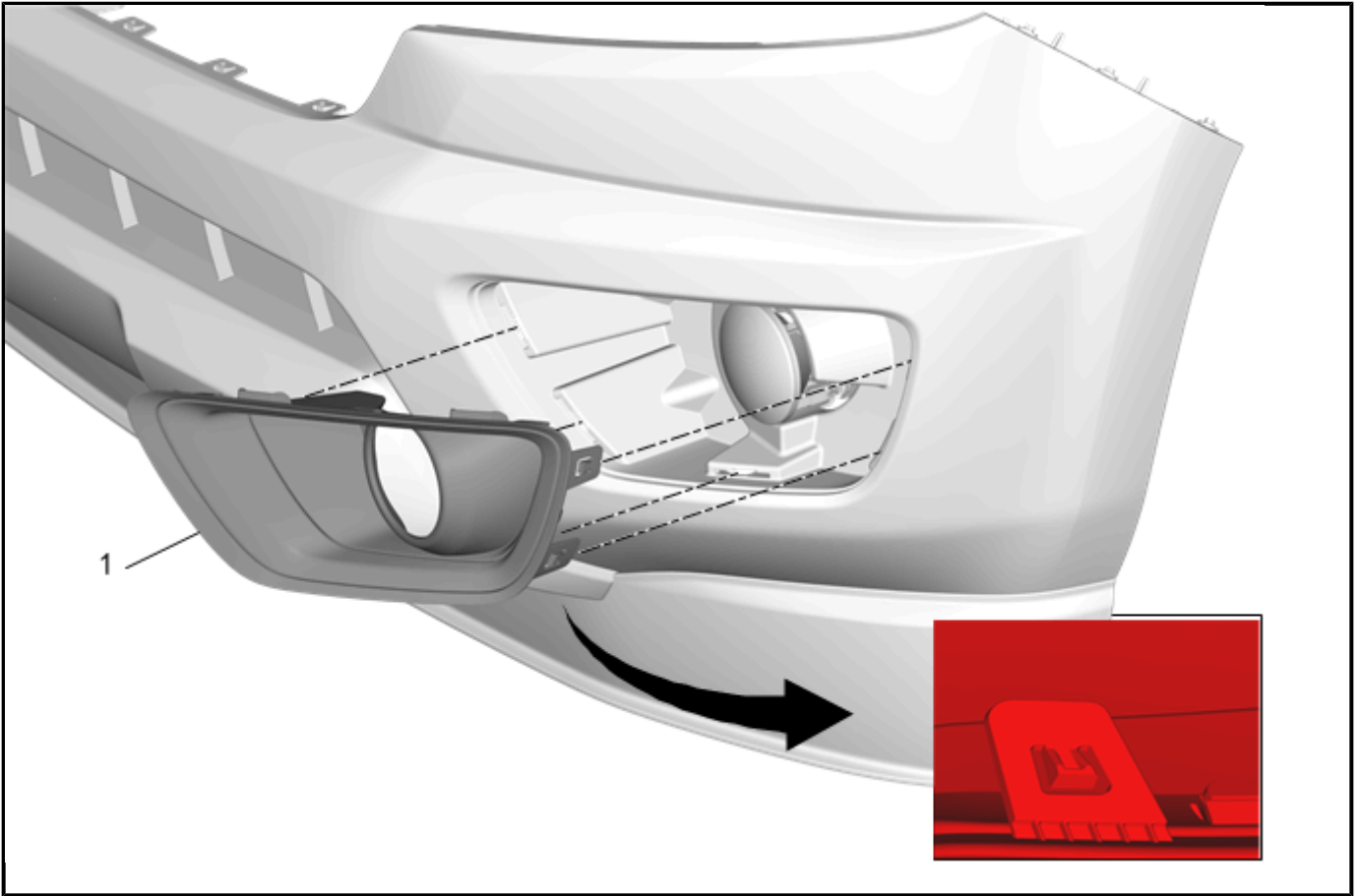
1. Remove the intake air splash shield. Refer to [Intake Air Splash Shield Replacement](#) or [Intake Air Splash Shield Replacement](#) or [Intake Air Splash Shield Replacement](#) in Vehicle Service Manual.
2. Raise and support the vehicle. Refer to [Lifting and Jacking the Vehicle](#) in Vehicle Service Manual.
3. Remove the front wheel and tire assemblies. Refer to [Tire and Wheel Removal and Installation](#) in Vehicle Service Manual.
4. Remove the underbody splash shield. Refer to [Underbody Splash Shield Replacement](#) in Vehicle Service Manual.
5. Reposition the front wheel house liners in order to gain access to the fog lamp opening covers. Refer to [Front Wheelhouse Liner Replacement](#) in Vehicle Service Manual.

Procedure



3792308

1. Release all tabs holding the fog lamp opening cover (1) to the fascia from the rear side of the fascia, access to these tabs is available through the wheelhouse opening.



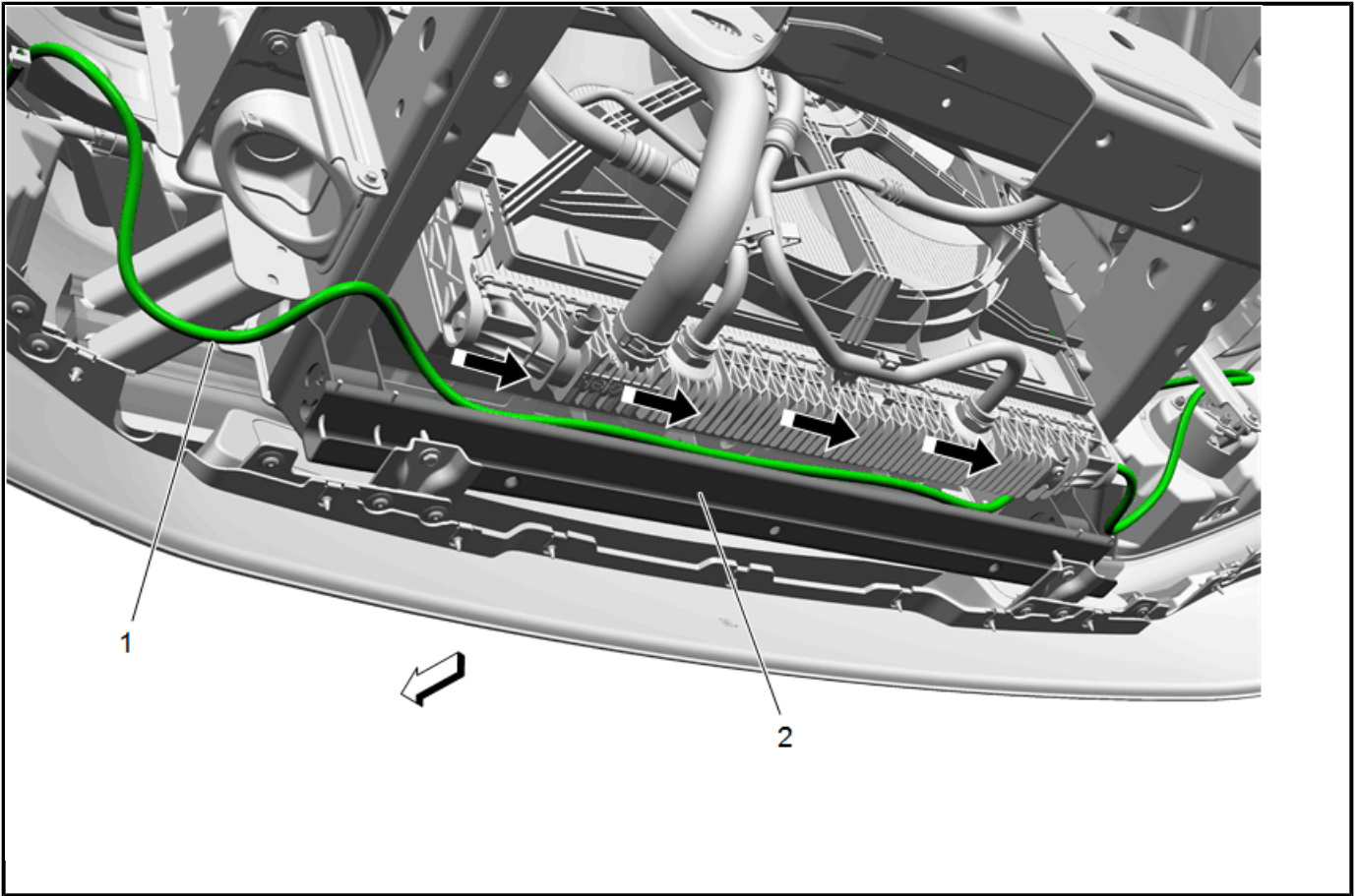
3755326

2. Position the accent lamp (1) to the front bumper fascia and secure the locking tabs.

Wire Harness Installation

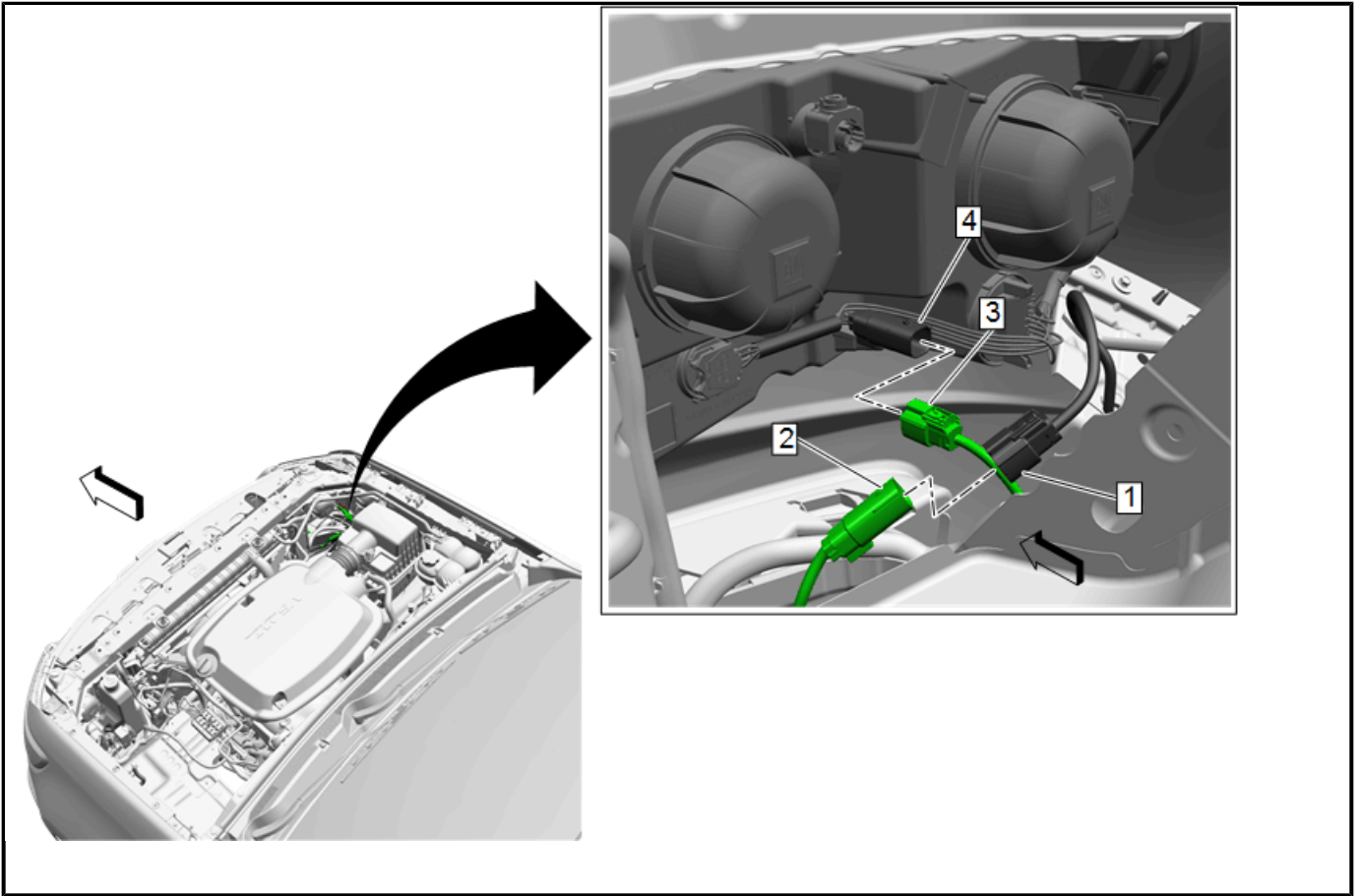
1. Lay the accent lamp wiring harness on the ground in front of the vehicle and get an idea how it is to be installed in the vehicle.

Note: There are 4 connectors 2 of which are 2-ways and connect to the accent lamps, the end of the harness with a single connector connects to the LH (driver side) accent lamp.



5035736

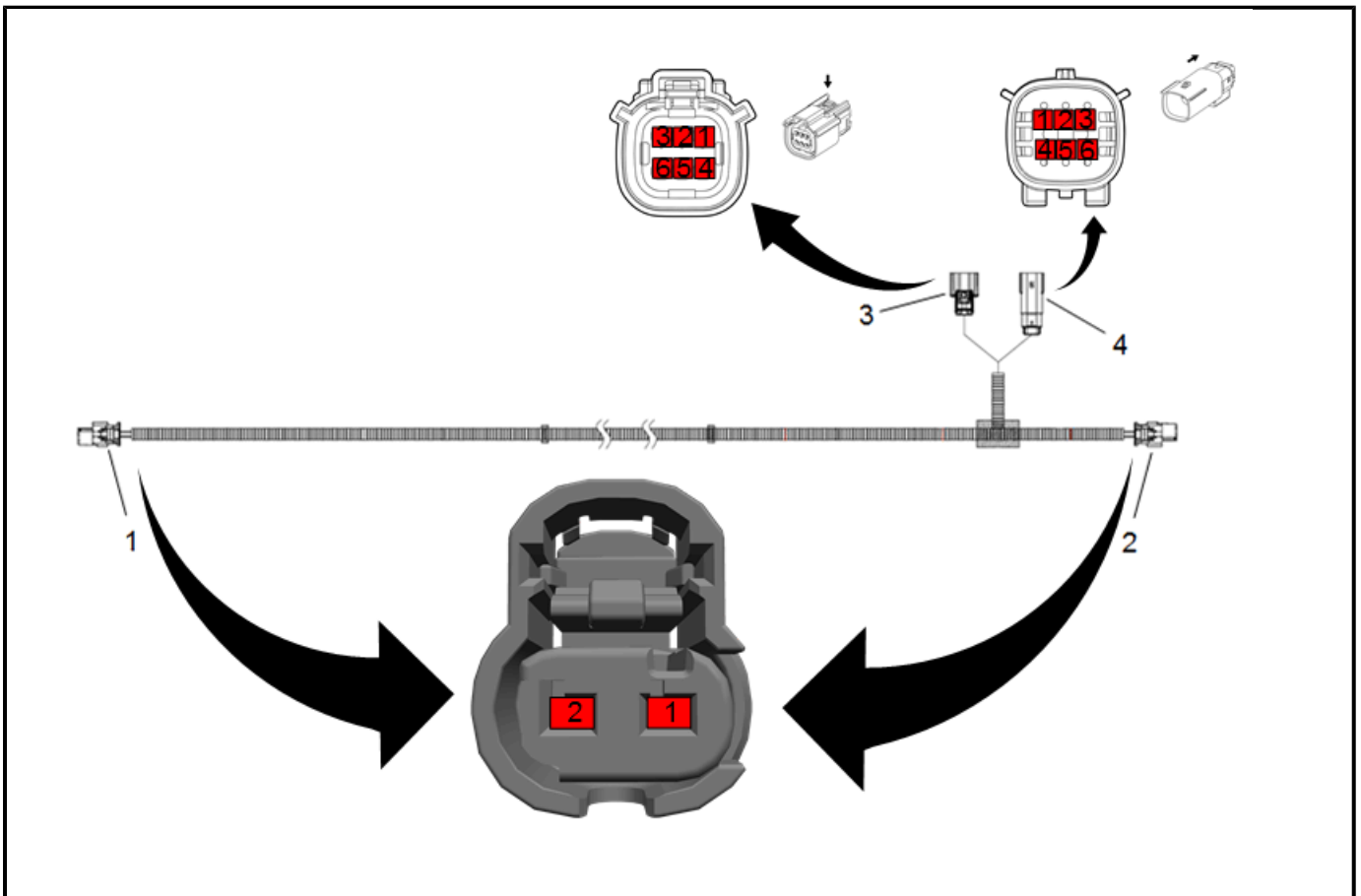
2. Route the wiring harness (1) across the base of the radiator and loosely tie strap to the cross vehicle beam (2).



5035738

3. Disconnect the forward lamp lighting harness (1) from the passenger side headlamp (4).
4. Connect the jumper harness connector (3) to passenger side headlamp (4).
5. Connect the previously disconnected forward lamp lighting harness (1) to the jumper harness connector (2).
6. Connect accessory harness to the left and right accent lamps and fog lamps.
7. Check and test function of headlamps, accent lamps and fog lamps.
8. Go back and ensure the harness is routed away from any sharp surfaces and securely tie strap into position.
9. Reposition the front wheel house liners . Refer to [Front Wheelhouse Liner Replacement](#) in Vehicle Service Manual.
10. Reinstall the underbody splash shield. Refer to [Underbody Splash Shield Replacement](#) in Vehicle Service Manual.
11. Reinstall the front wheel and tire assemblies. Refer to [Tire and Wheel Removal and Installation](#) in Vehicle Service Manual.
12. Lower the vehicle.
13. Install the intake air splash shield. Refer to [Intake Air Splash Shield Replacement](#) or [Intake Air Splash Shield Replacement](#) or [Intake Air Splash Shield Replacement](#) in Vehicle Service Manual.

Accent Lamp Harness Connector Views



5041247

LH (driver side) accent lamp 2-ways connector (1).

RH (passenger side) accent lamp 2-ways connector (2).

Jumper Connector 6-ways (3) to passenger headlamp connector.

Jumper Connector 6-ways (4) to passenger headlamp harness connector.

Accent Lamp 2-Ways Connector

Cavity	Description
1	Positive (+)
2	Ground (-)

Jumper 6-Ways Connector

Cavity	Description
1	Ground (-)
2	Low Beam (+)
3	High Beam (+)

Cavity	Description
4	Park Lamp (+)
5	Turn Signal (+)
6	Not Occupied