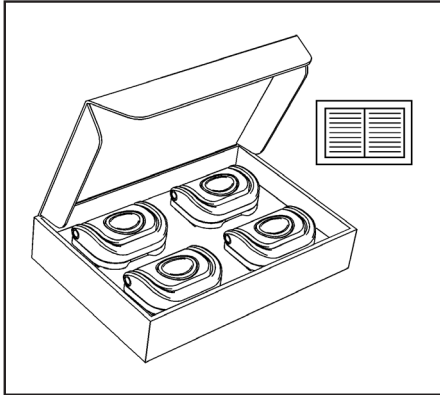
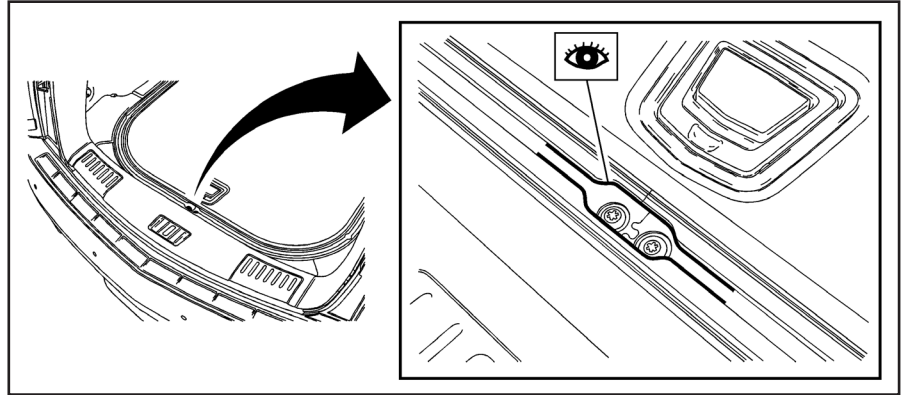


**Cargo Partition Package Installation
Cargo Partition D - Rings**

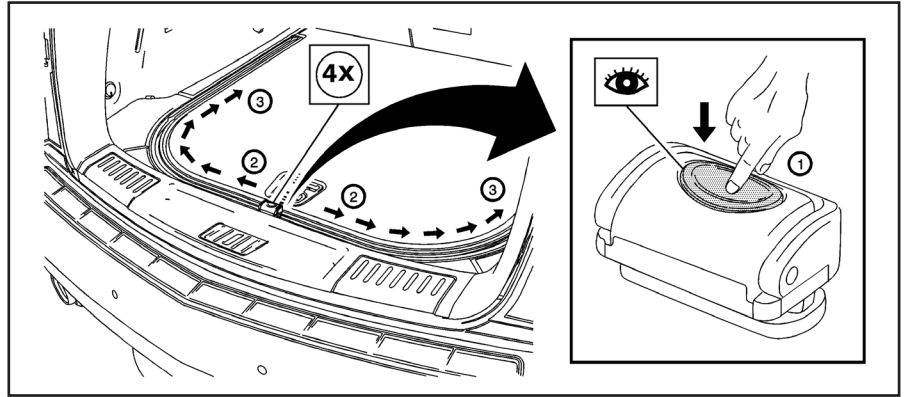
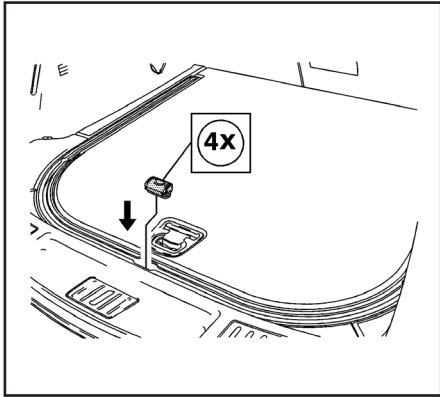
Installation Instructions Part Number
22745519



Kit Contents



Procedure



Cargo Partition D - Rings

IR 28JL10

PART NO.

22745519

SHEET

1 OF **3**

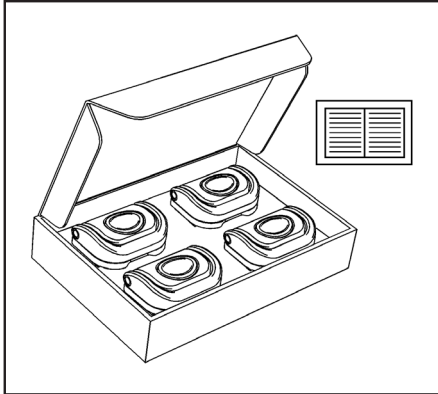
ALL INFORMATION WITHIN ABOVE BORDER TO BE PRINTED EXACTLY AS SHOWN ON 8.5 x 11 WHITE 16 POUND NON-BOND RECYCLABLE PAPER. PRINT ON BOTH SIDES, EXCLUDING TEMPLATES.
TO BE UNITIZED IN ACCORDANCE WITH GM SPECIFICATIONS.

DATE	REVISION	AUTH	DR
28JL10	Initial Release - Jonathon D'Andonaegui Pacheco	1295959 (EPTFDA)	

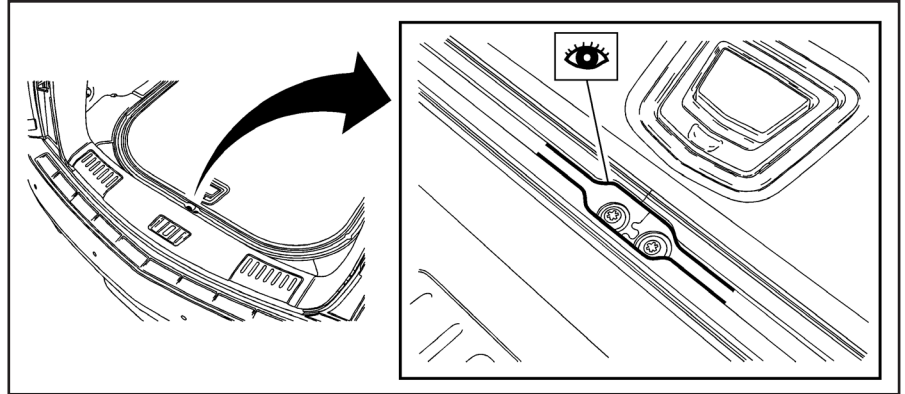
TITLE
INSTALLATION INSTRUCTIONS Cargo Partition D - Rings
PART NO. 22745519 SHEET 1 OF 3

**Cargo Partition Package Installation
(Cargo Partition Slider Attachment)**

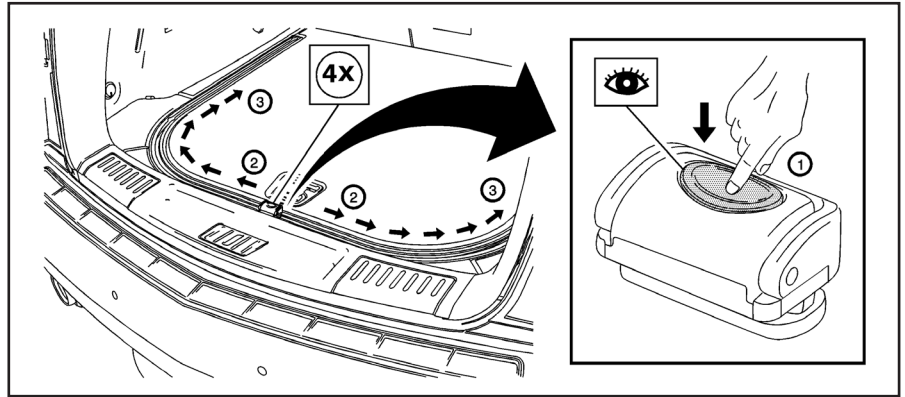
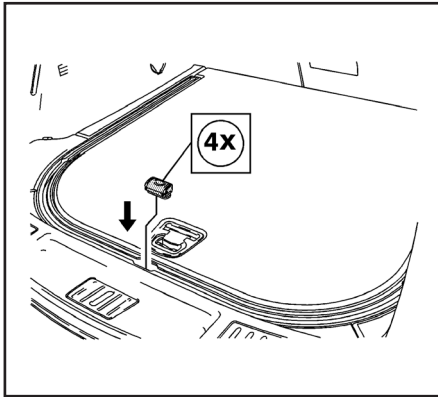
Installation Instructions Part Number
22743389



Kit Contents



Procedure



Cargo Partition D - Rings

IR 28JL10

PART NO.

22745519

SHEET

2 OF 3

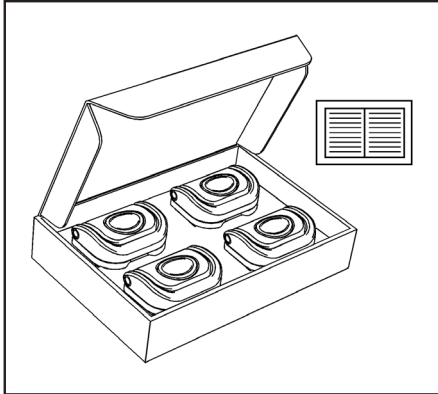
ALL INFORMATION WITHIN ABOVE BORDER TO BE PRINTED EXACTLY AS SHOWN ON 8.5 x 11 WHITE 16 POUND NON-BOND RECYCLABLE PAPER. PRINT ON BOTH SIDES, EXCLUDING TEMPLATES.
TO BE UNITIZED IN ACCORDANCE WITH GM SPECIFICATIONS.

DATE	REVISION	AUTH	DR

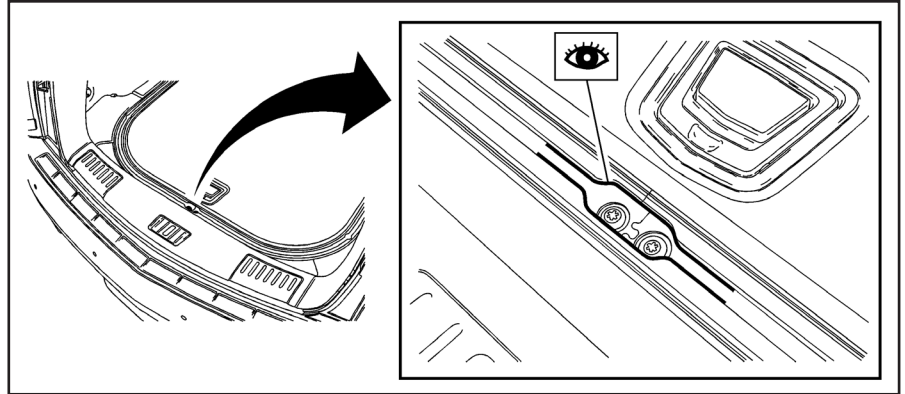
TITLE
INSTALLATION INSTRUCTIONS Cargo Partition D - Rings
PART NO. 22745519 SHEET 2 OF 3

**Cargo Partition Package Installation
(Cargo Partition Slider Attachment)**

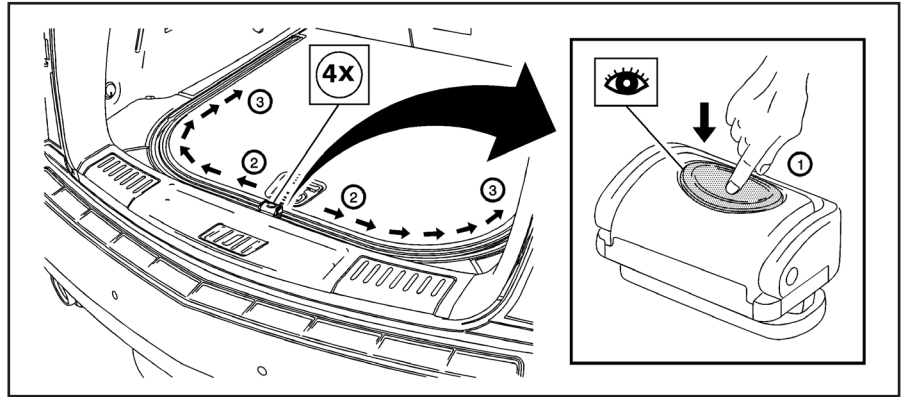
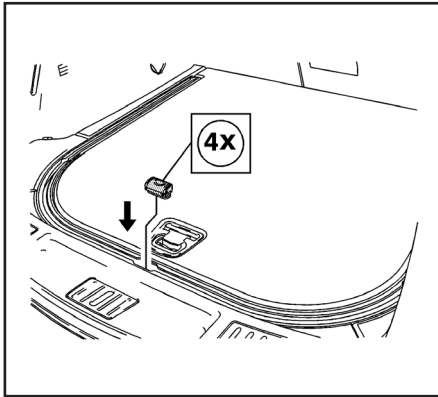
Installation Instructions Part Number
22743389



Kit Contents



Procedure



Cargo Partition D - Rings

IR 28JL10

PART NO.

22745519

SHEET

3 OF 3

ALL INFORMATION WITHIN ABOVE BORDER TO BE PRINTED EXACTLY AS SHOWN ON 8.5 x 11 WHITE 16 POUND NON-BOND RECYCLABLE PAPER. PRINT ON BOTH SIDES, EXCLUDING TEMPLATES.
TO BE UNITIZED IN ACCORDANCE WITH GM SPECIFICATIONS.

DATE	REVISION	AUTH	DR

TITLE	INSTALLATION INSTRUCTIONS Cargo Partition D - Rings		
PART NO.	22745519	SHEET	3 OF 3