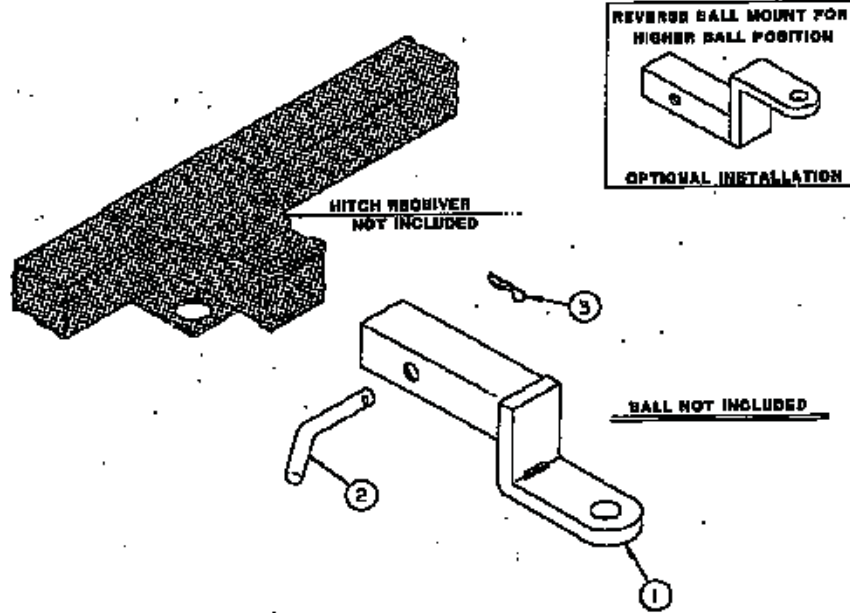


ITEM REFERENCE     TOWBAR     EXISTING AS PART OF

## INSTRUCTION SHEET

### PARTS INCLUDE:

1. BALL MOUNT
2. PULL PIN
3. HAIR PIN



1. INSERT SQUARE END OF BALL MOUNT INTO 2" SQUARE OPENING IN HITCH RECEIVER MOUNTED ON TOWING VEHICLE.
2. VARIATIONS IN BALL HEIGHT CAN BE MADE BY REVERSING THE BALL MOUNT IN THE HITCH RECEIVER.
3. SECURE BALL MOUNT #1 TO HITCH RECEIVER WITH PULL PIN #2 AND HAIR PIN #3.
4. SELECT ONLY THE CORRECT SIZE TRAILER BALL FOR USE WITH YOUR TRAILER. CHECK TRAILER COUPLER TO DETERMINE SIZE. TRAILER BALLS ARE AVAILABLE THROUGH YOUR LOCAL GM DEALER.



PART NO.  
**12322812**

SHEET 1 OF 1