

BALL MOUNT

PARTS INCLUDE:

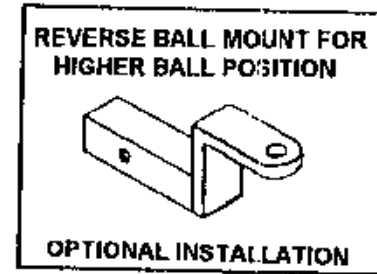
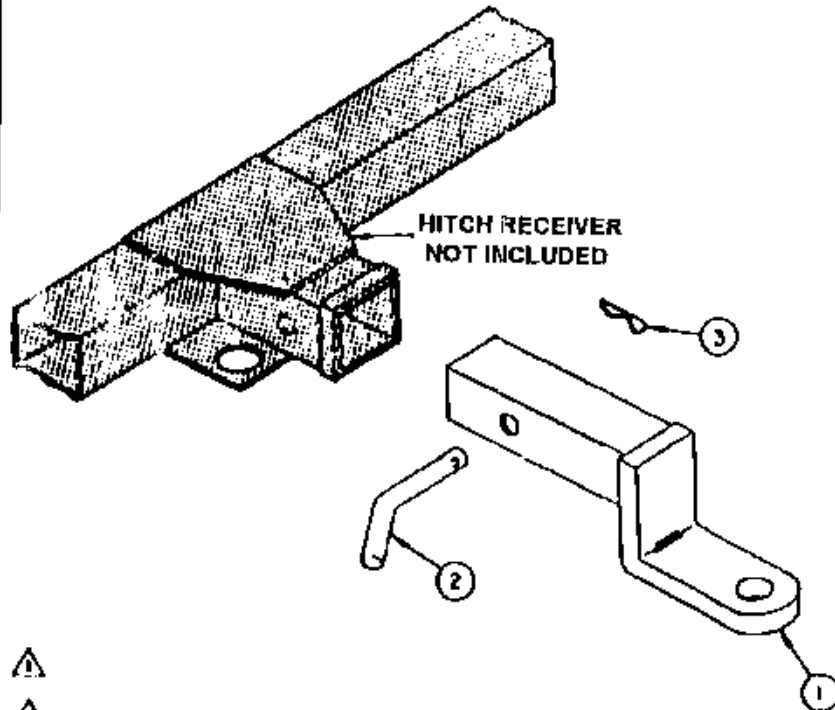
1. BALL MOUNT
2. PULL PIN
3. HAIR PIN

THIS BALL MOUNT HAS A GROSS LOAD RATING OF 5000 LBS. LOADED TRAILER WEIGHT AND 500 LBS. LOADED TONGUE WEIGHT. DO NOT EXCEED THE LOWER OF THE VEHICLE, COUPLER, TRAILER BALL, OR TRAILER LOAD RATING.

1. The ball mount must be inserted into a 2-inch receiver and must be secured with a 5/8" diameter hitch pin with locking device. It should never be bolted or welded to a bumper.
2. This ball mount is a weight carrying device that may be used in either a raised or lowered position.
3. Use only a trailer ball with a 1-inch shank on this ball mount.
4. Although these ball mounts are designed and tested to safely carry the loads specified, under no circumstances does General Motors recommend exceeding the towing vehicle's recommended towing capacities.

WARNING: Be sure to check the hitch pin and its locking device before towing a trailer.

WARNING: Before use, make sure that the ball is firmly secured to the ball mount. Do Not tow if ball is not tight.



BALL NOT INCLUDED

PART NO.	QTY.
----------	------