

Auxiliary Audio Interface Module Package Installation (CD Player)

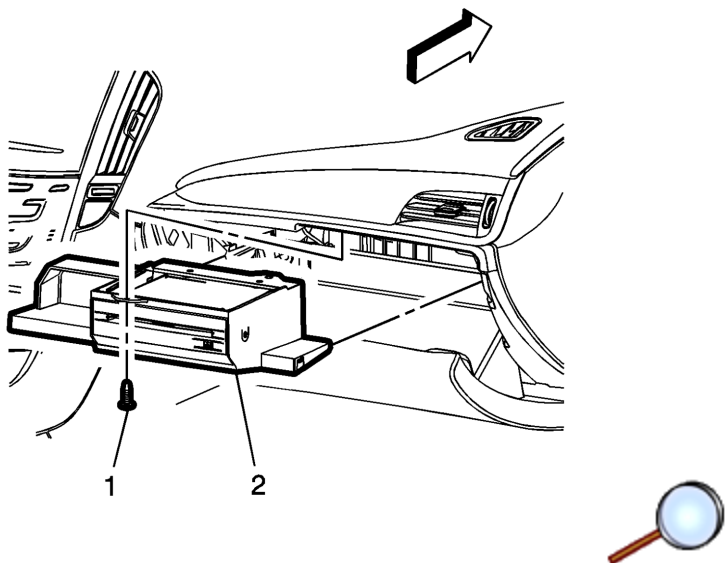
Installation Instructions Part Number

22849068

Kit Contents

Qty	Description
1	Remote Media Player
1	Jumper Harness
4	Screws

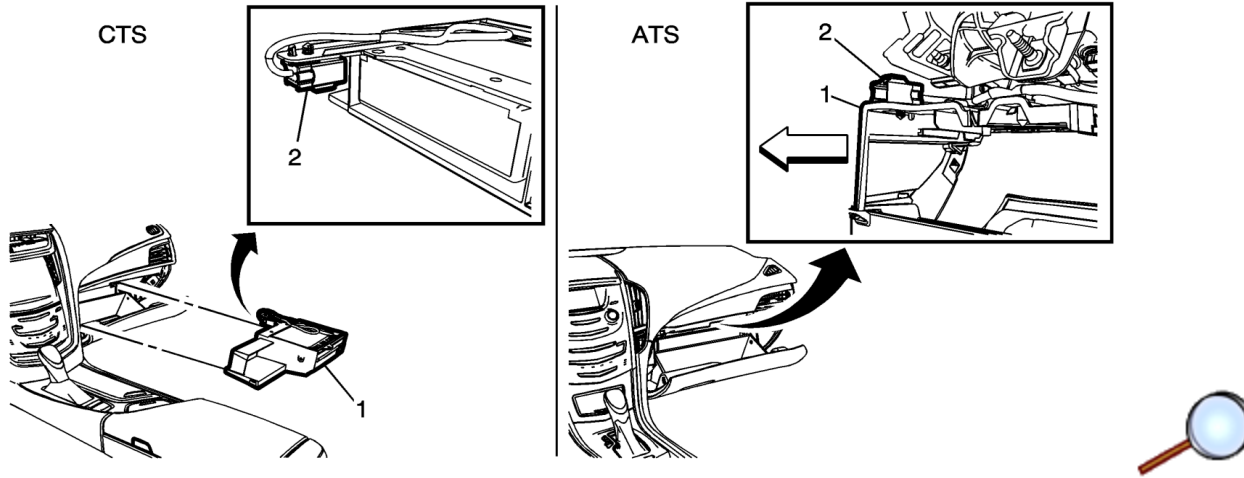
Procedure (ATS, CTS)



1. Open the instrument panel compartment door.
2. Remove the screw (1) from the instrument panel compartment shelf (2).

© 2018 General Motors. All rights reserved.

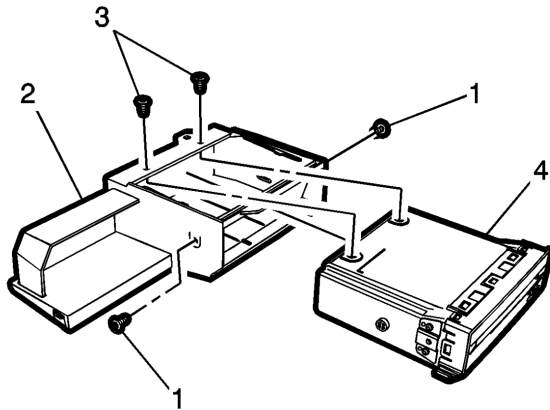
3. Remove the instrument panel compartment shelf (2) from the instrument panel compartment.



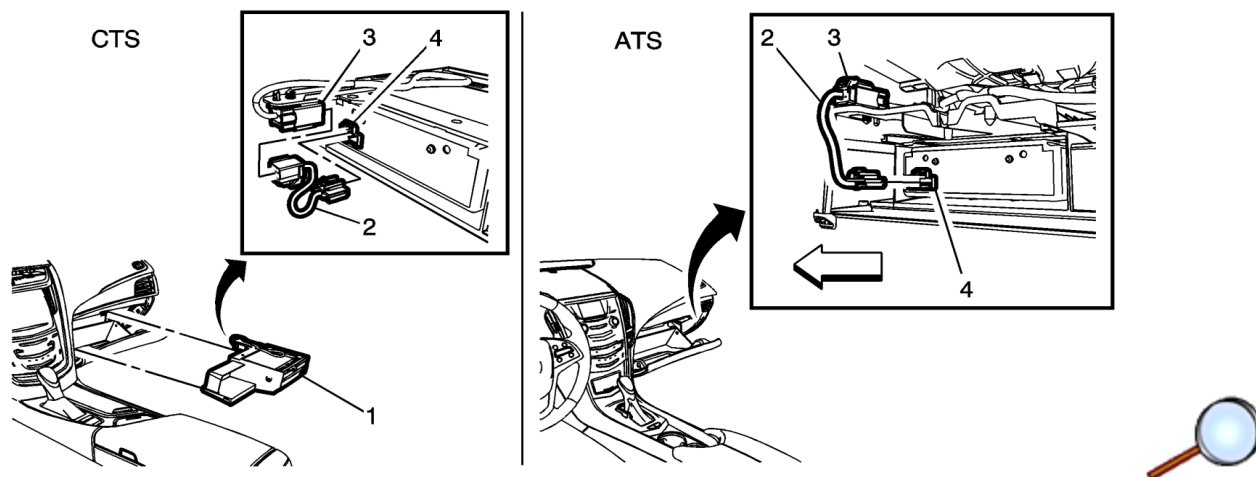
4. Locate the vehicle in-line connector.

Note: For CTS, the vehicle in-line connector (2) is located on the instrument panel compartment shelf (1) and will come out with the shelf.

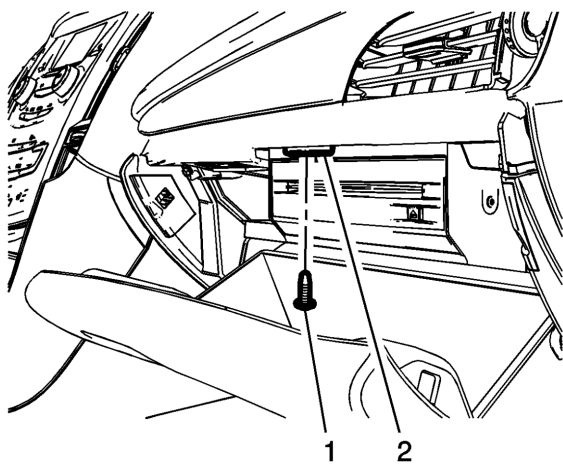
Note: For ATS, the vehicle in-line connector (2) is located on the instrument panel retainer (1) and will not come out with the instrument panel compartment shelf. To gain access to the in-line connection, you may need to remove the passenger side instrument panel closeout panel to locate it.



5. Install the media player (4) into the instrument panel compartment shelf (2) and secure with the screws (1), (3).

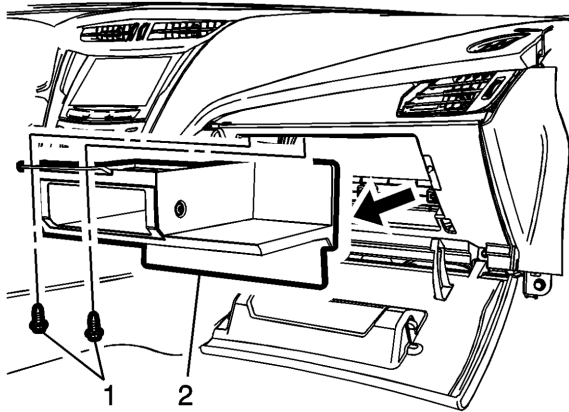


6. Remove and discard the connector cap from the instrument panel jumper in-line connector (3). Connect the jumper harness (2) to the instrument panel jumper in-line connector (3) and media player (4). Install instrument panel compartment shelf with media player (1) into the instrument panel compartment.

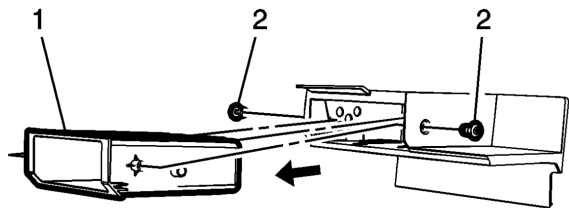


7. Install the screw (1) to the instrument panel compartment shelf (2).
 8. Re-install the passenger side instrument panel close-out panel, if removed.
Note: No vehicle programming is required. This is a plug and play unit.
 9. Test the function of the media player.
 10. Installation complete. Close the instrument panel compartment door.

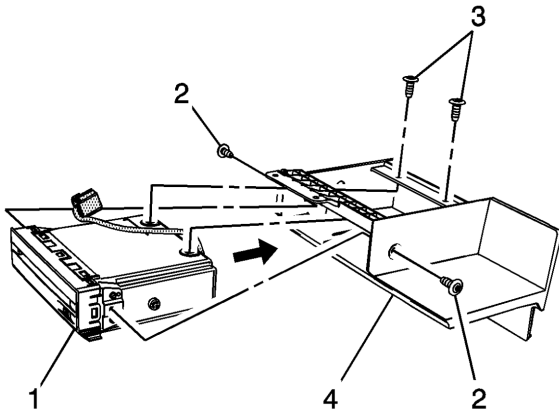
Procedure (ELR)



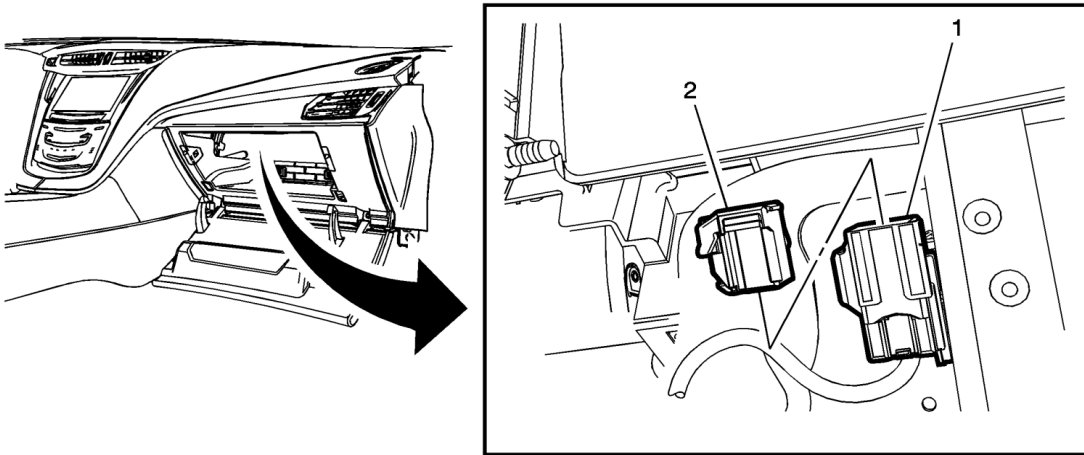
1. Open the instrument panel compartment door.
2. Remove the screws (1) from the instrument panel compartment shelf (2).
3. Remove the instrument panel compartment shelf (2) from the instrument panel compartment.



4. Remove the screws (2) then remove and discard the glove box bin (1).

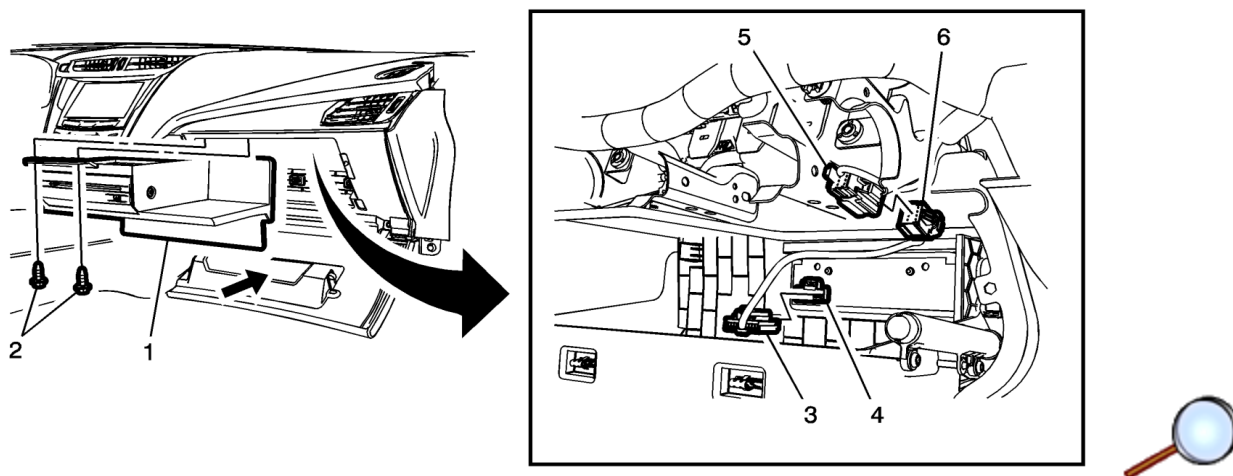


5. Install the media player (1) into the instrument panel compartment shelf (4) and secure with the screws (2), (3).

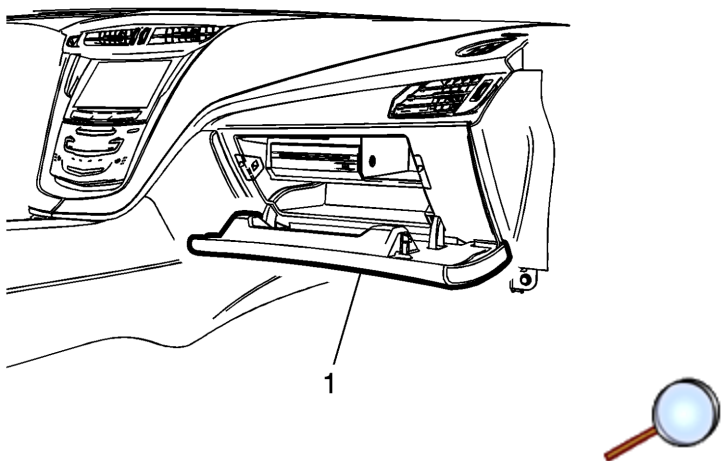


6. Locate the vehicle in-line connector (1).

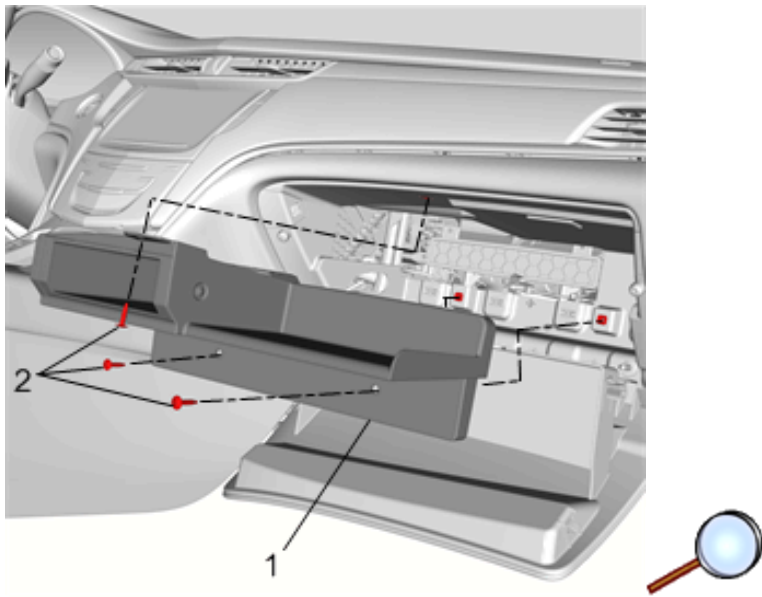
7. Remove and discard the connector cap (2) from the instrument panel jumper in-line connector (1).



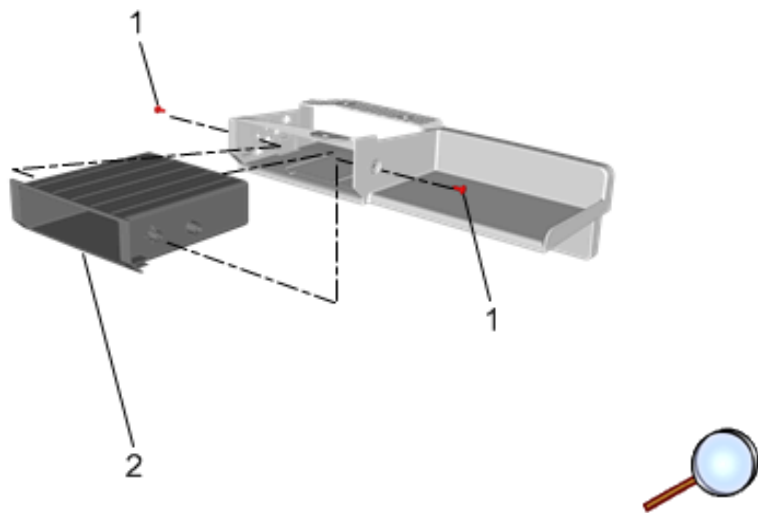
8. Install the instrument panel compartment shelf with media player (1) into the instrument panel compartment.
9. Connect the jumper harness (6) to the instrument panel jumper in-line connector (5) and connect jumper harness (3) to the media player (4).
10. Install the screws (2) to the instrument panel compartment shelf.



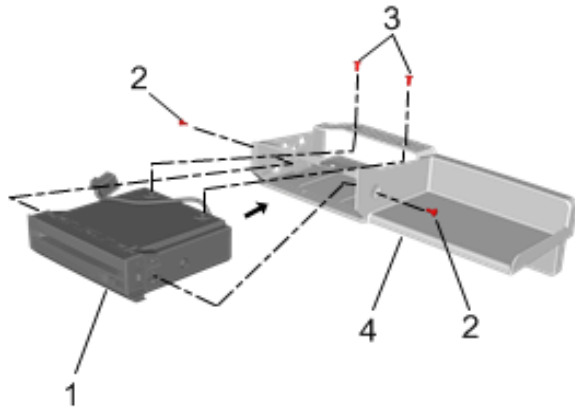
- Note:** No vehicle programming is required. This is a plug and play unit.
11. Test the function of the media player.
 12. Installation complete. Close the instrument panel compartment door (1).

Procedure (XTS)

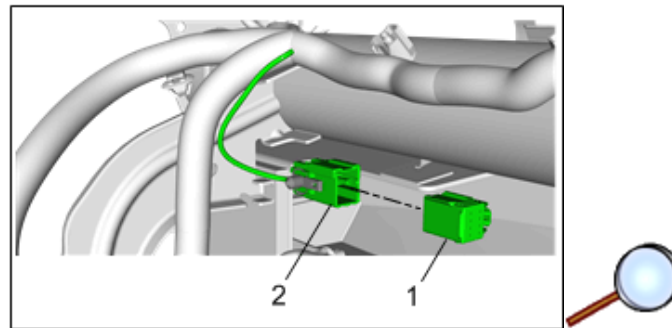
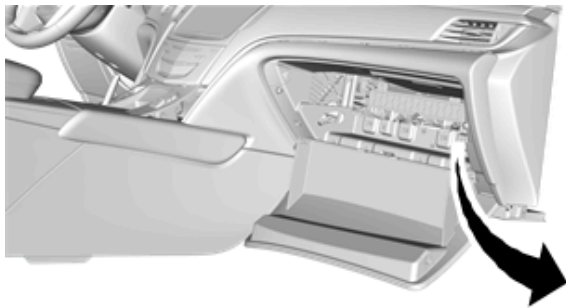
1. Open the instrument panel compartment door.
2. Remove the screws (2) from the instrument panel compartment shelf (1).
3. Remove the instrument panel compartment shelf (1) from the instrument panel compartment.



4. Remove the screws (1) then remove and discard the glove box bin (2).

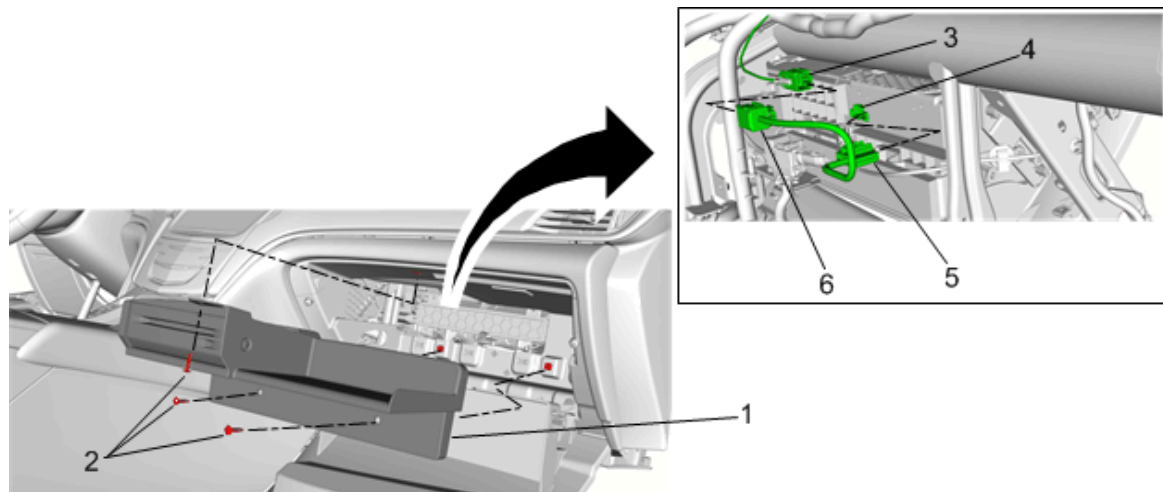


5. Install the media player (1) into the instrument panel compartment shelf (4) and secure with the screws (2), (3).

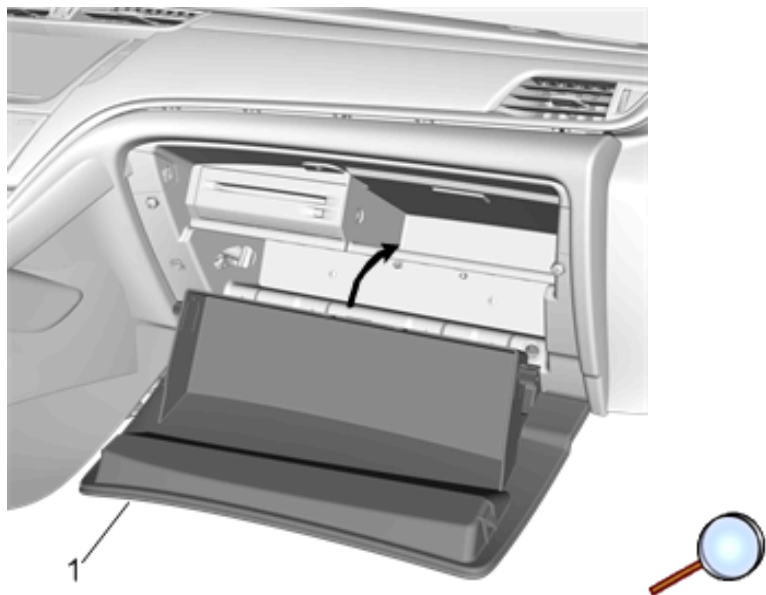


6. Locate the vehicle in-line connector (2).

7. Remove and discard the connector cap (1) from the instrument panel jumper in-line connector (2).



8. Install the instrument panel compartment shelf with media player (1) into the instrument panel compartment.
9. Connect the jumper harness (6) to the instrument panel jumper in-line connector (3) and connect jumper harness (5) to the media player (4).
10. Install the screws (2) to the instrument panel compartment shelf.



Note: No vehicle programming is required. This is a plug and play unit.

11. Test the function of the media player.
12. Installation complete. Close the instrument panel compartment door (1).