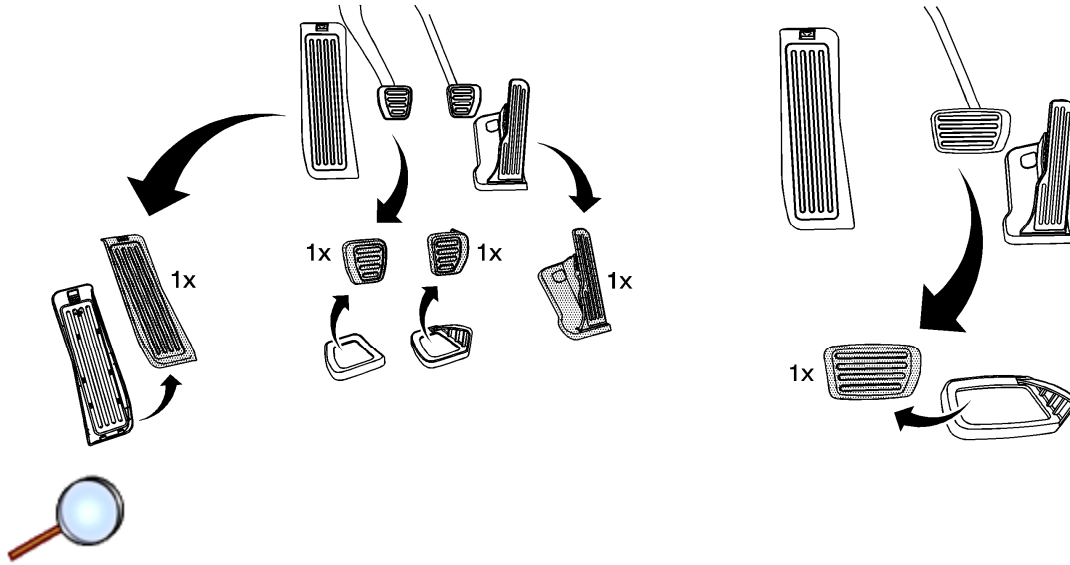


Brake Pedal Cover Package Installation

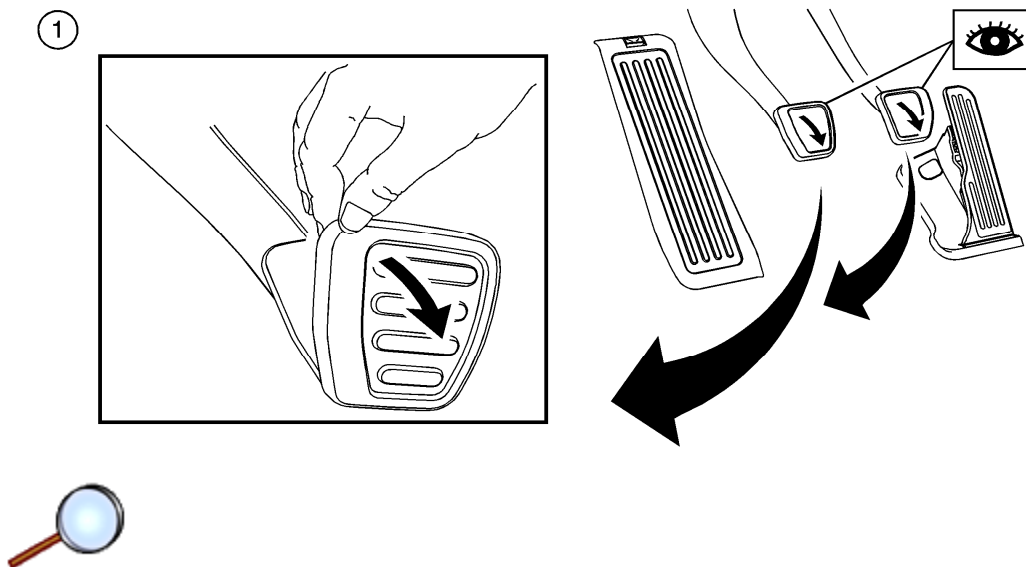
[Installation Instructions Part Number](#)

22935050

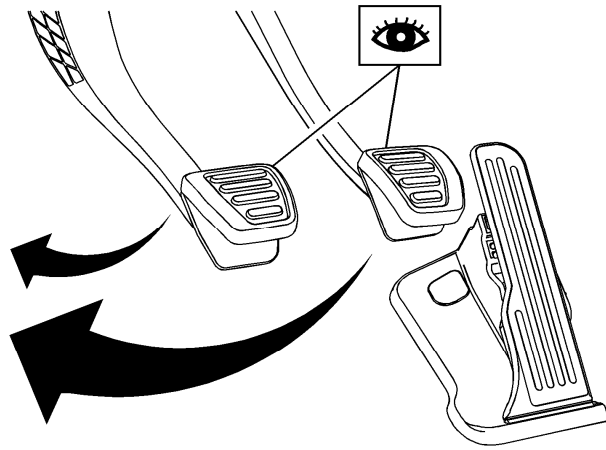
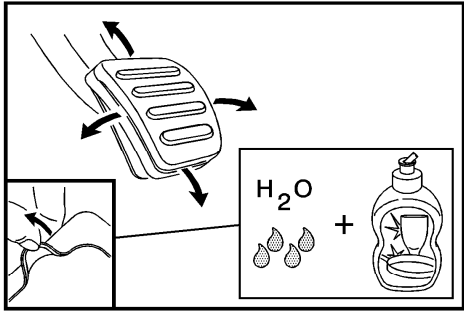
[Kit Contents](#)



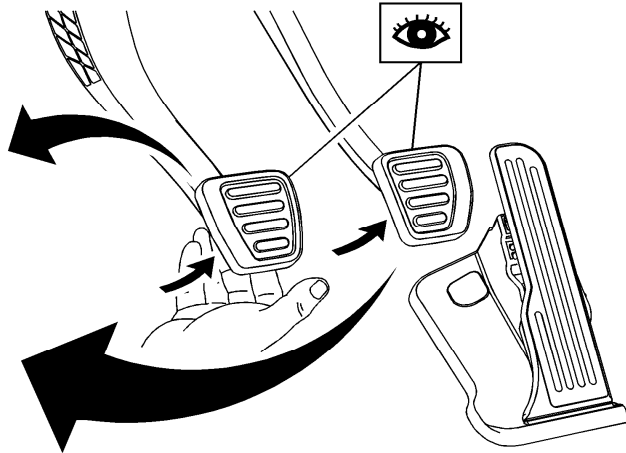
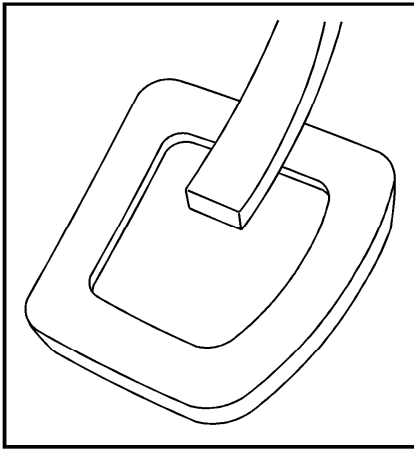
[Procedure](#)

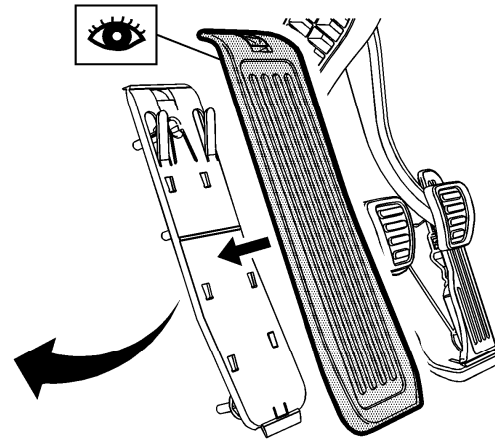
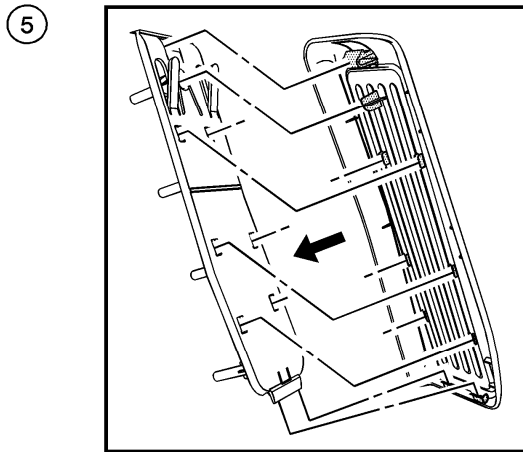
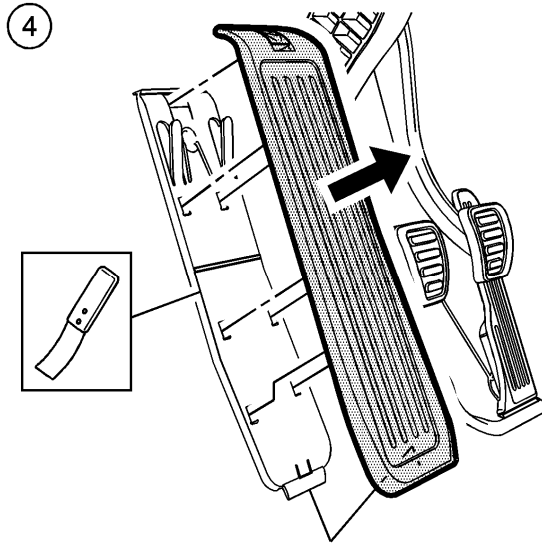


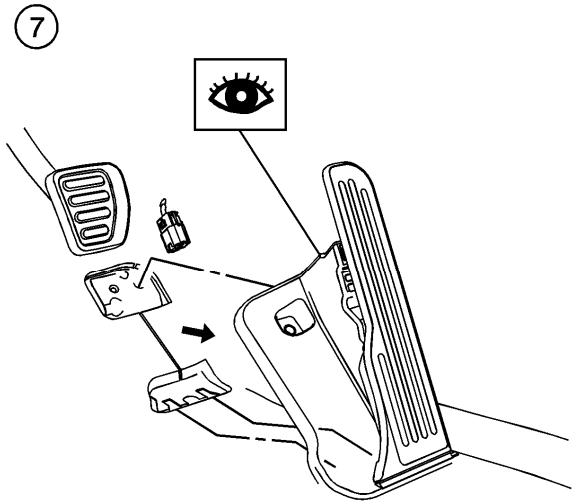
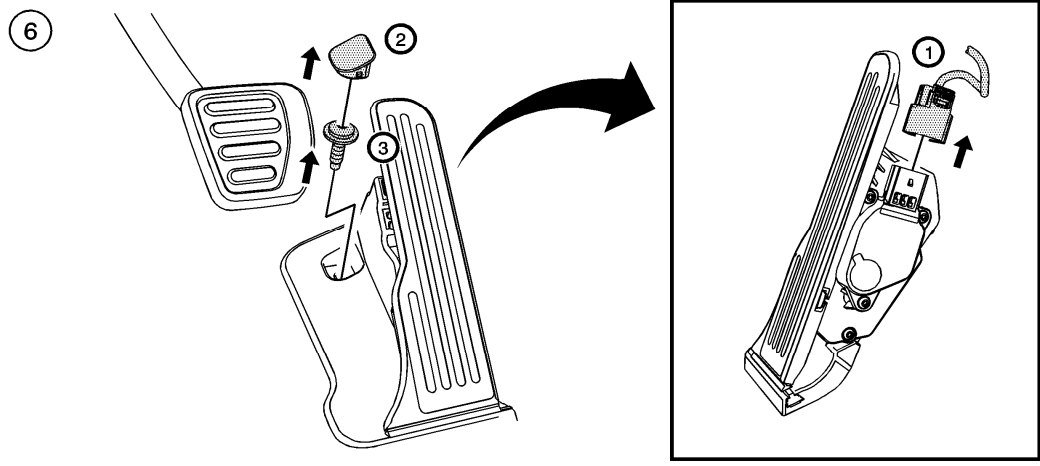
2

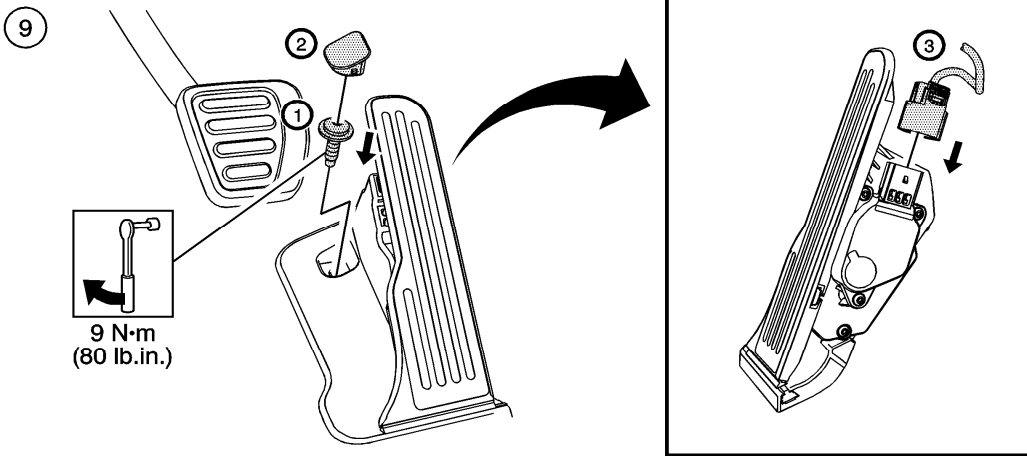
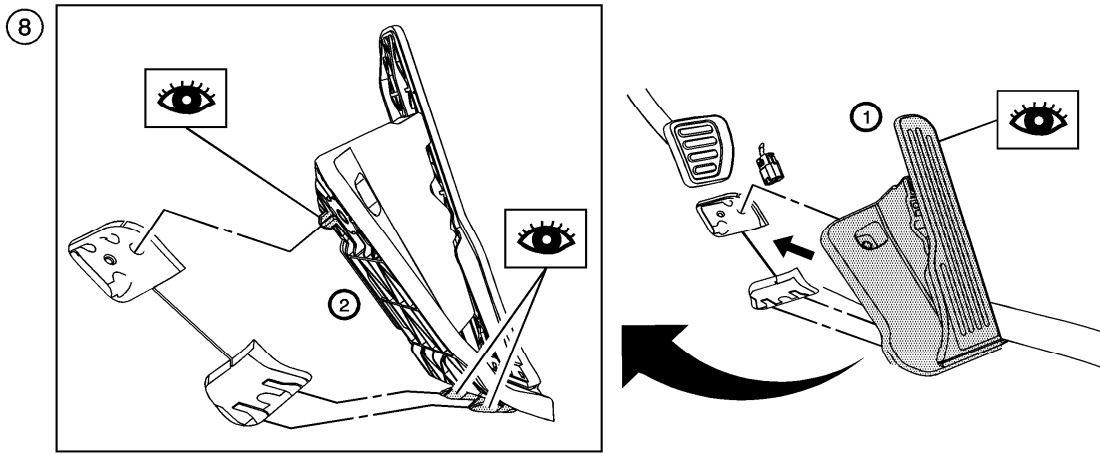


3









Document ID: 2837297

[WIP] Brake Pedal Cover Package Installation

	Date	Revision	Auth	DR	Installation Instructions
<p>ALL INFORMATION WITHIN ABOVE BORDER TO BE PRINTED EXACTLY AS SHOWN ON 8.5X11 WHITE 16 POUND NON-BOND RECYCLABLE PAPER PRINT ON BOTH SIDES, EXCLUDING TEMPLATES</p> <p>TO BE UNITIZED IN ACCORDIANCE WITH GM SPECIFICATIONS</p>	24AP12	Initial Release – Alan Canavan	EWO 1666996		Brake Pedal Cover Package Installation
					22935050
					Insert Page No.