

## Front and Rear Side Door Outside Handle Package Installation

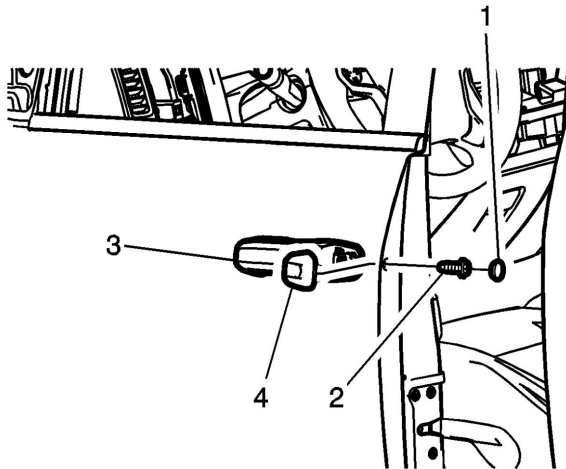
Installation Instructions Part Number

22940653

Tools Required

*BO 51363* Door Handle Spring Retainer or equivalent.

[Remove Front Side Door Lock Cylinder Bezel](#)

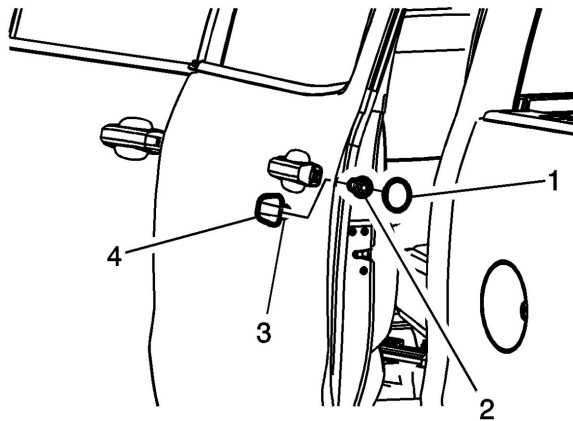


1. Using a plastic flat-bladed tool, remove and retain the cap (1) that conceals the screw from the inside of the door opening.

**Note:** When removing the door lock cylinder screw, Do Not go past the hard stop.

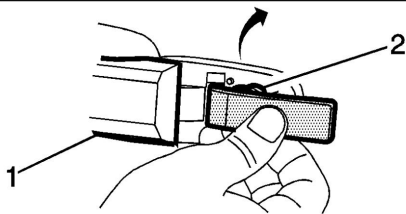
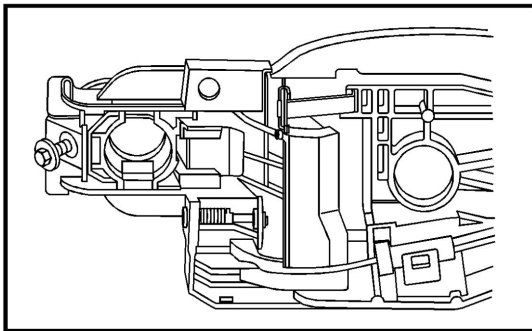
2. Remove and retain the door outside handle lock cylinder screw (2).
3. Using a small flat-bladed tool, release the front side door lock cylinder bezel (4) from the retainer (3).

[Remove Rear Side Door Lock Cylinder Opening Cover](#)

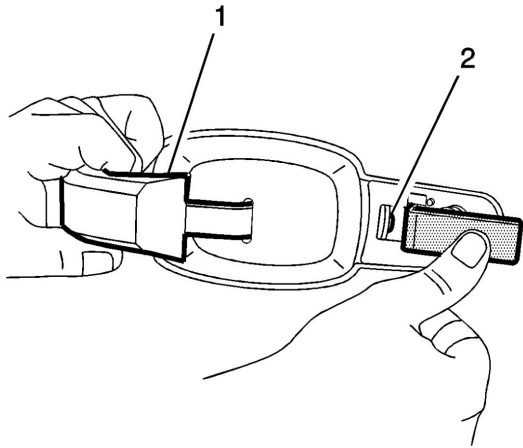


1. Using a plastic flat-bladed tool, remove and retain the access hole cover (1) that conceals the screw from the inside of the door opening.
2. Remove and retain the rear side door lock cylinder/blank screw (2).  
**Note: When removing the door lock cylinder screw, Do Not go past the hard stop.**
3. Using a small flat-bladed tool, release the rear side door lock cylinder opening cover (4) from the door.
4. Remove and retain the door lock cylinder blank (3) from the opening cover (4).

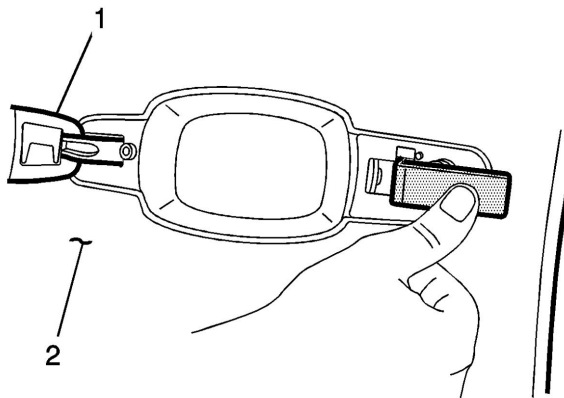
#### Remove Side Door Outside Handle



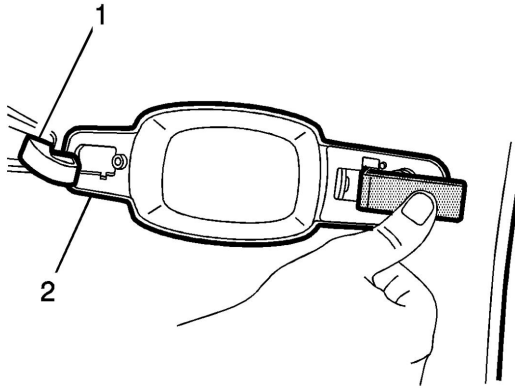
1. Pull side door outside handle (1) outward and insert *BO-51363* Door Handle Spring Retainer over the lock cylinder (2) and under door handle (1).
2. Press rear part of *BO-51363* Door Handle Spring Retainer towards the door (3). The side door outside handle (1) should now be held in the extended position.
3. Release pressure on *BO-51363* Door Handle Spring Retainer which allows side door outside handle (1) to slightly retract.



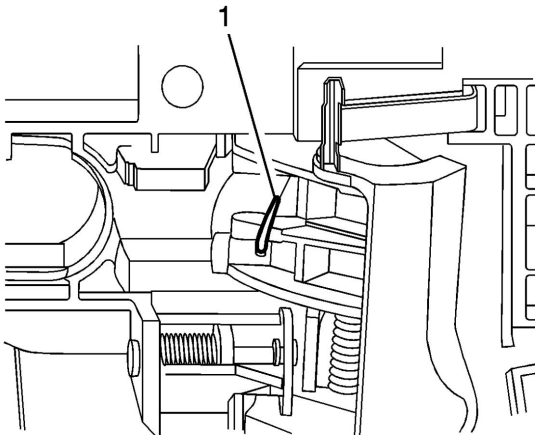
4. Slide side door outside handle (1) rearward and then pull outward releasing outside door handle from side door handle mechanism (2).



5. Pull side door outside handle (1) forward until door handle is approximately at a 90 degree angle to door (2).



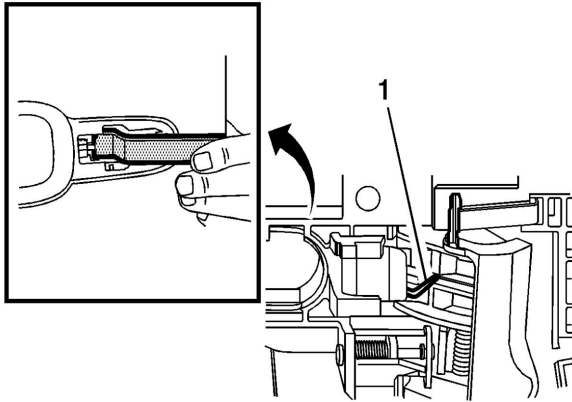
6. Gentle pull side door outside handle (1) outward and remove from door (2).



**Note:**

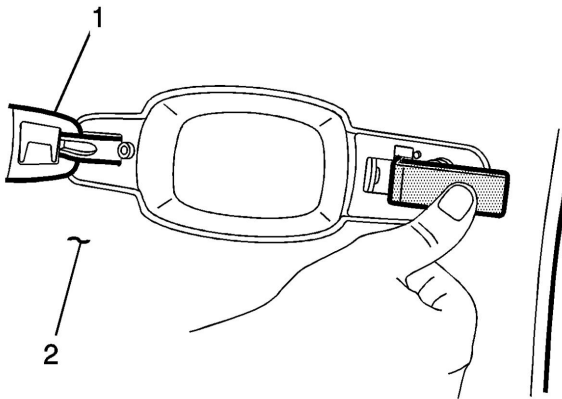
- It is NOT necessary to remove the door panel if the *BO-51363* Door Handle Spring Retainer slips off of the door handle mechanism.
- DO NOT hook the outer parts of the door handle mechanism. The hooked pick tool or equivalent tool could slip off and damage the front door.

7. If *BO-51363* Door Handle Spring Retainer slips off of door handle mechanism (1) during repair, use a hooked pick tool or equivalent and insert through door lock cylinder opening into center hole of door handle mechanism (1).

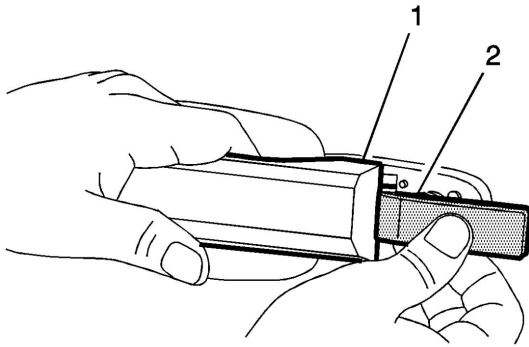


8. Pull door handle mechanism (1) outward to the open position and reinstall *BO-51363* Door Handle Spring Retainer into door handle mechanism (1). The hooked pick tool or equivalent tool can then be removed.

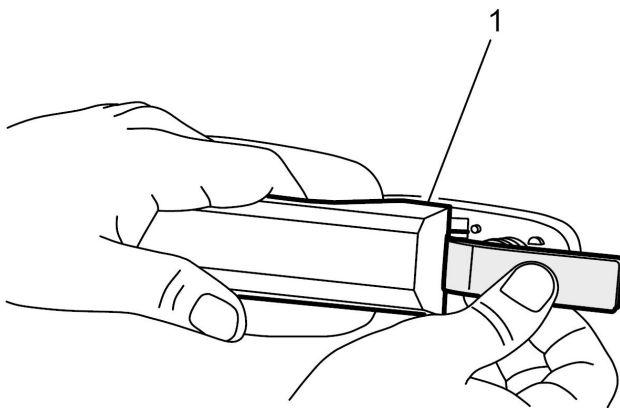
#### [Install Chrome Side Door Outside Handle](#)



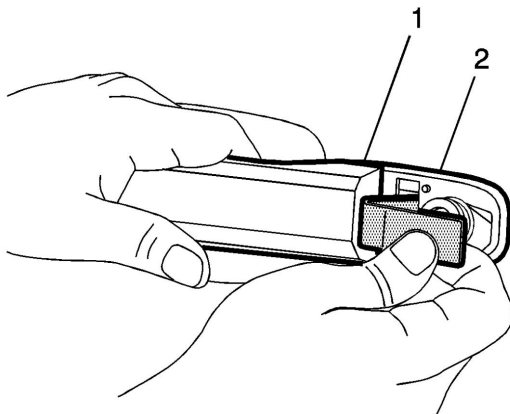
1. While holding *BO-51363* Door Handle Spring Retainer in place, install side door outside handle (1) into door (2) at approximately a 90 degree angle to door.



2. Rotate side door outside handle (1) rearward into side door handle mechanism (2).

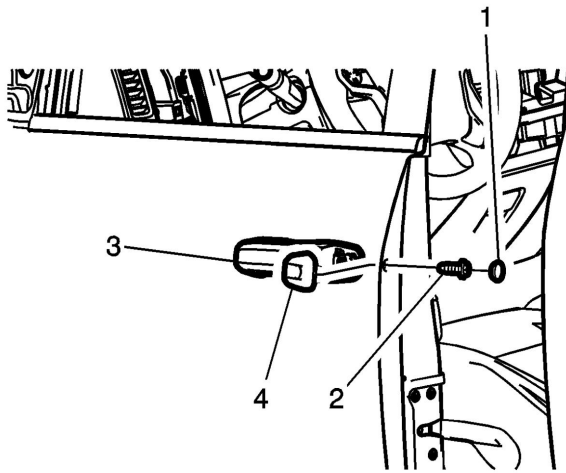


3. Slide side door outside handle (1) forward to lock into position.



4. Release pressure on *BO-51363* Door Handle Spring Retainer. Pull front side door outside handle (1) outward and remove *BO-51363* Door Handle Spring Retainer from door (2) .

### [Install Front Side Door Chrome Lock Cylinder Bezel](#)



1. Install the front side door lock cylinder chrome bezel (4) to the retainer (3). Install the chrome opening cover with retainer to door.

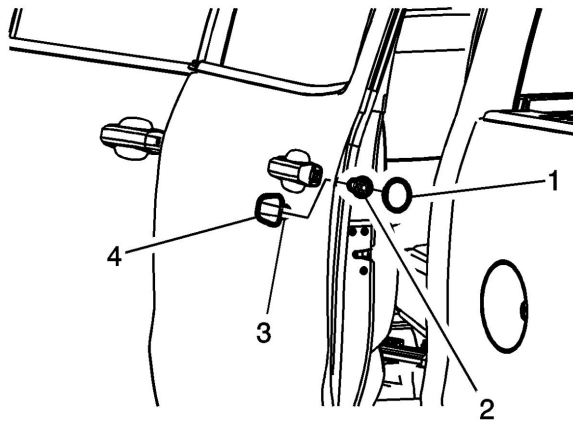
**Caution:** Use the correct fastener in the correct location. Replacement fasteners must be the correct part number for that application. Fasteners requiring replacement or fasteners requiring the use of thread locking compound or sealant are identified in the service procedure. Do not use paints, lubricants, or corrosion inhibitors on fasteners or fastener joint surfaces unless specified. These coatings affect fastener torque and joint clamping force and may damage the fastener. Use the correct tightening sequence and specifications when installing fasteners in order to avoid damage to parts and systems.

**Note:** When installing the door lock cylinder screw Do Not go past the hard stop.

2. Install the door outside handle lock cylinder screw (2).  
While holding the lock cylinder bezel flush to the door, tighten the retainer screw.  
Tighten  
Tighten the retainer screw to 3.5 N.m (31 lb in).

3. Install the access hole cover (1) that conceals the bolt from the inside of the door opening.
4. Ensure that the door lock system operates properly.

### [Install Rear Side Door Lock Cylinder Chrome Opening Cover](#)



1. Install the rear side door lock cylinder/blank (3) to the chrome opening cover (4). Install the chrome opening cover with blank to door.

**Note:** When installing the door lock cylinder screw Do Not go past the hard stop.

2. Install the rear side door lock cylinder/blank screw (2).

While holding the lock cylinder opening cover flush to the door, tighten the retainer screw.

Tighten

Tighten the retainer screw to 3.5 N.m (31 lb in).

3. Install the access hole cover (1) that conceals the bolt from the inside of the door opening.
4. Ensure that the door lock system operates properly.