

# Front Grille Package Installation (GMC)

## Installation Instructions Part Number

22946738

### Kit Contents

Qty	Description
1	Upper Grille
1	Installation Instructions

### Tools Required

Flathead Screwdriver

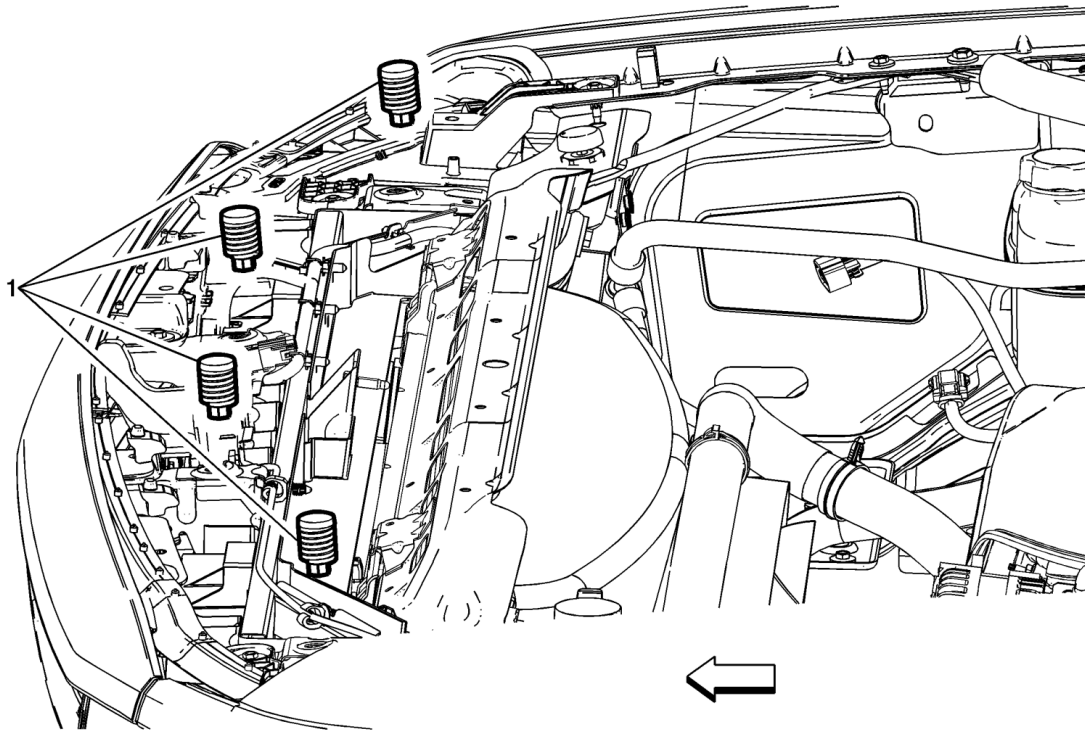
7mm, 10mm Socket

J 39544-KIT Complete Torque Socket Set 10 pieces

### Procedure

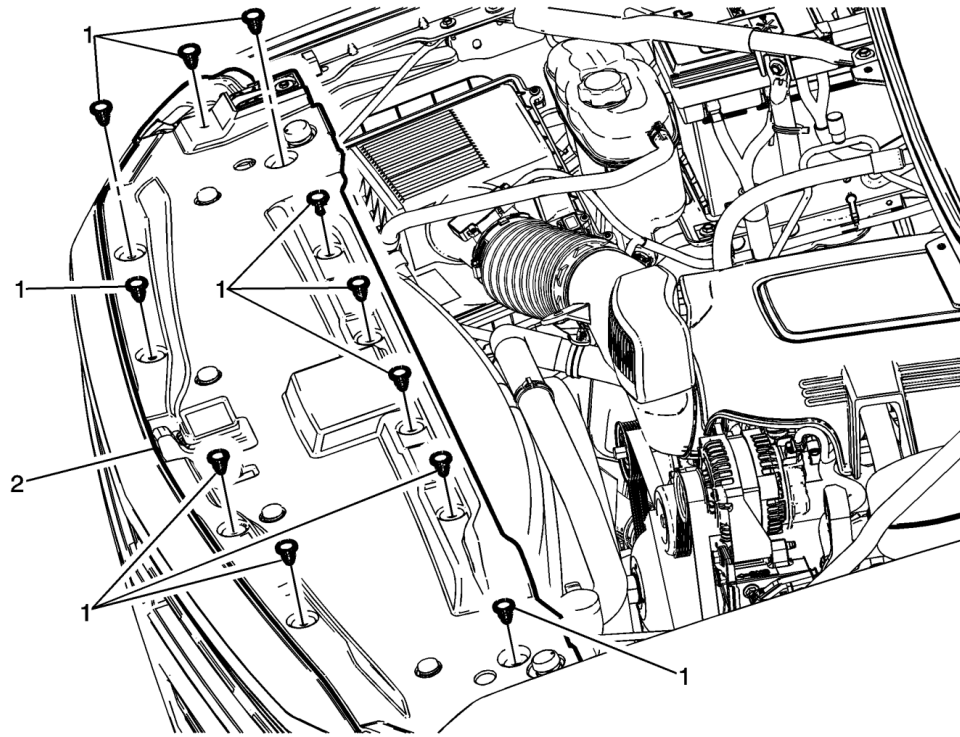
#### Remove Front Compartment Sight Shield

**Caution:** Use the correct fastener in the correct location. Replacement fasteners must be the correct part number for that application. Fasteners requiring replacement or fasteners requiring the use of thread locking compound or sealant are identified in the service procedure. Do not use paints, lubricants, or corrosion inhibitors on fasteners or fastener joint surfaces unless specified. These coatings affect fastener torque and joint clamping force and may damage the fastener. Use the correct tightening sequence and specifications when installing fasteners in order to avoid damage to parts and systems.



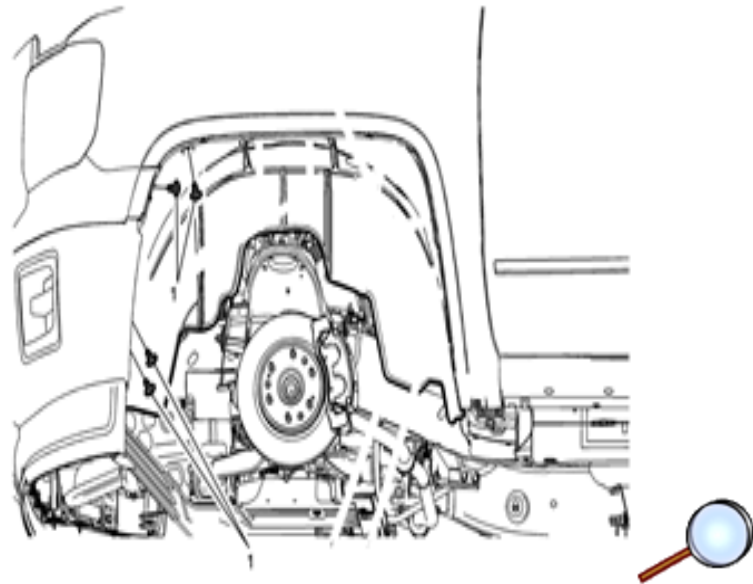
1. Remove the hood front bumpers (1)

**Note:** Do not disassemble hood bumpers.



2. Remove and retain the front compartment front sight shield push-in retainers (1).
3. Remove the front compartment front sight shield (2).

### **Partial Removal of Wheelhouse Splash Shield and Fender Flare**

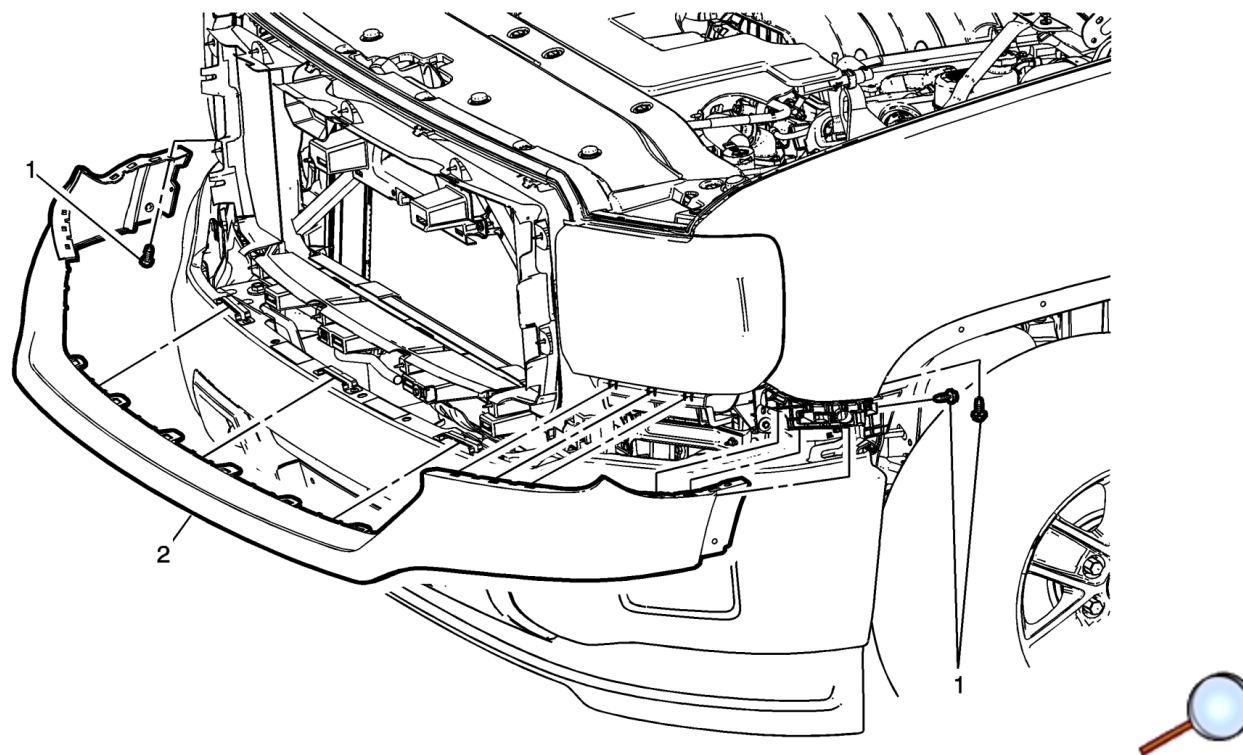


1. Remove and retain the screws (1) from the left and right side wheelhouse splash shield.
2. Partially remove left and right fender flare, if equipped.

**Tighten**

Upon reassembly, tighten the screws to 2.5 N.m (22 lb in).

**Remove Front Bumper Fascia Trim Cap**

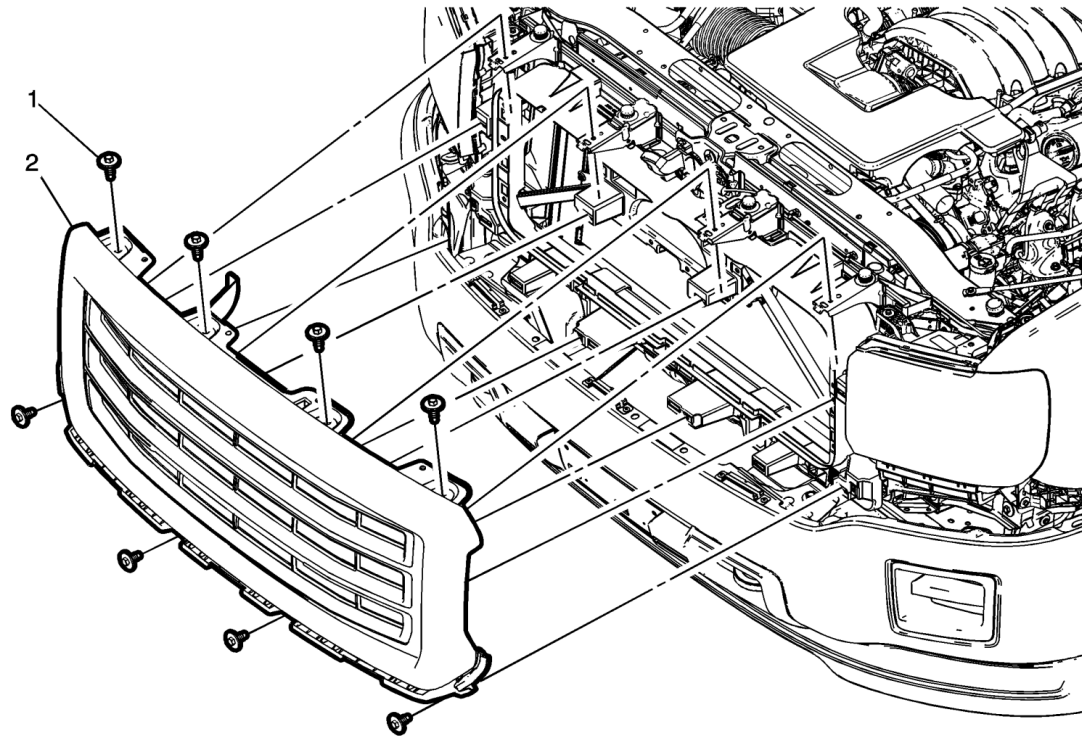


1. Carefully pull back wheelhouse liner, remove and retain the trim cap bolts (1) from the left and right sides of front bumper fascia trim cap.
2. Carefully push a small nylon wedge between the front bumper fascia trim cap and the front bumper fascia trim cap guide. Insert a small flat-bladed tool into the trim cap slot and depress the snaps one at a time and pull on the front bumper fascia trim cap at the same time to gradually remove the trim cap (2) from the guide and the front impact bar.

**Tighten**

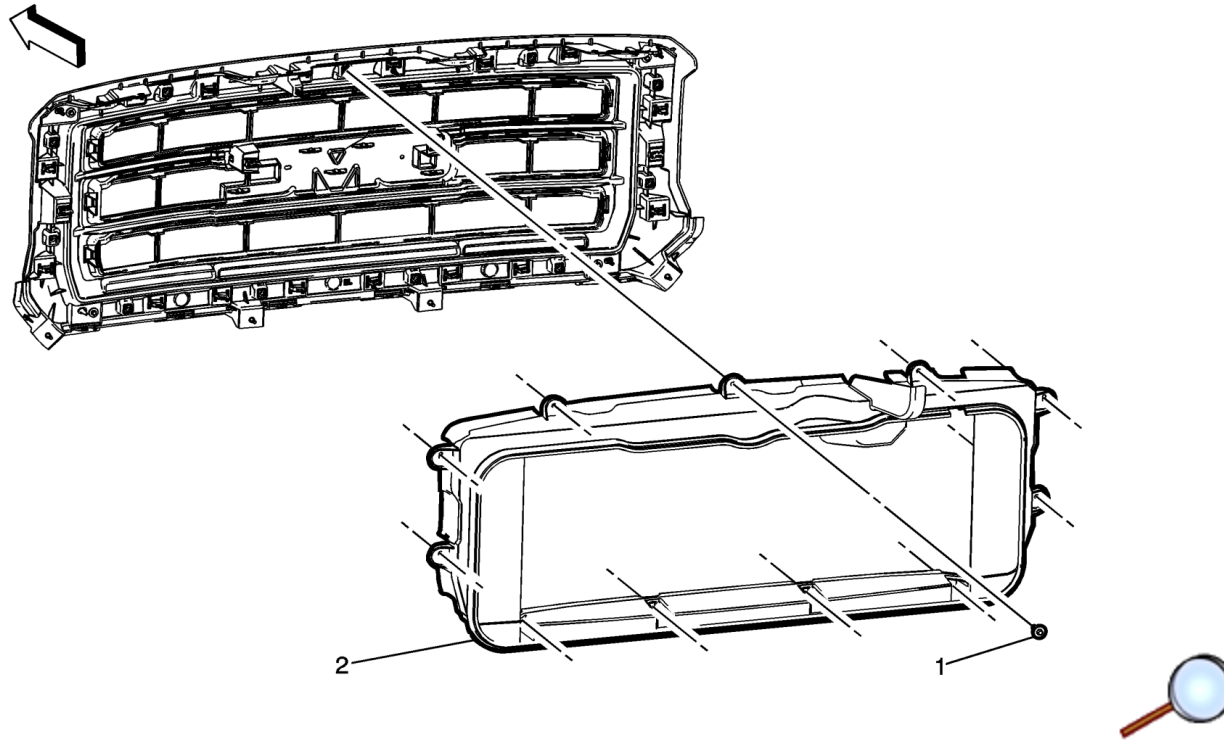
Upon reassembly, tighten the bolts to 2.5 N.m (22 lb in).

**Remove OEM Grille**



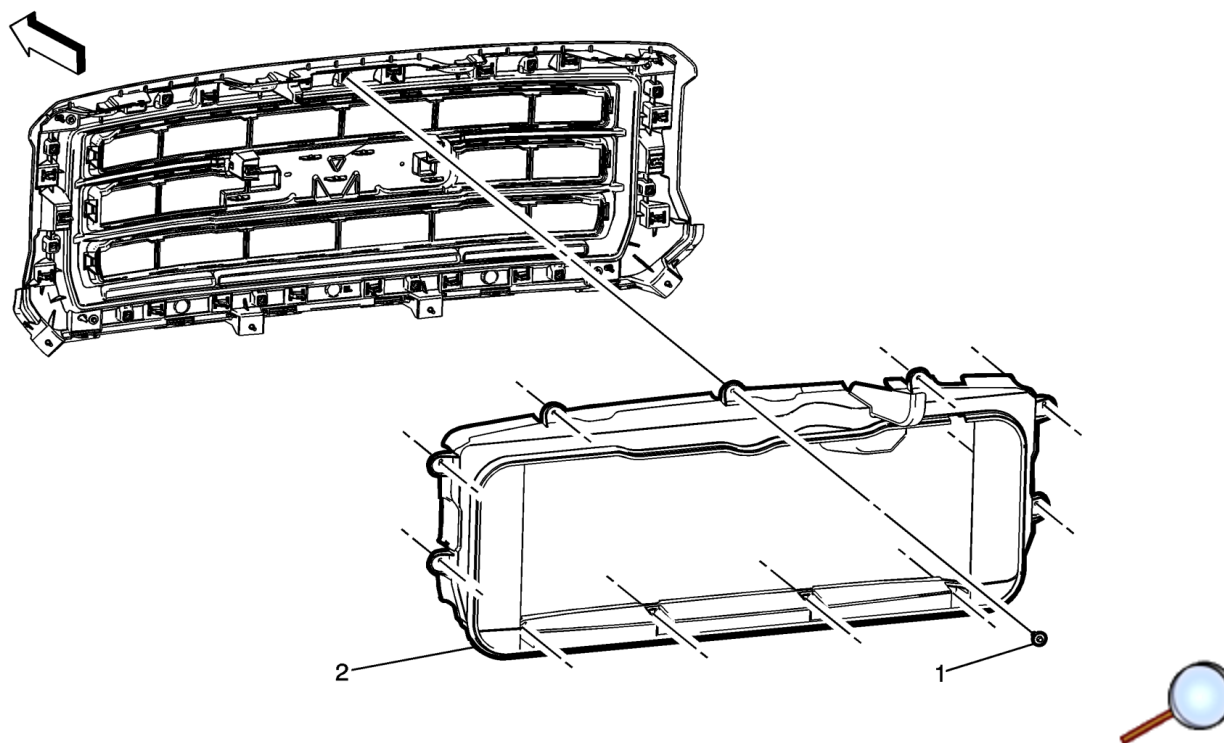
1. Remove and retain the front grille bolts (1).
2. With two hands and starting at either end firmly pull the front grille (2) releasing the 8 spring clips from the shutter body.

### **Remove Radiator Inner Grille**



1. Remove and retain the radiator inner grille screws (1).
2. Remove the radiator inner grille (2) from the OEM grille.

### **Install Radiator Inner Grille and Accessory Grille**

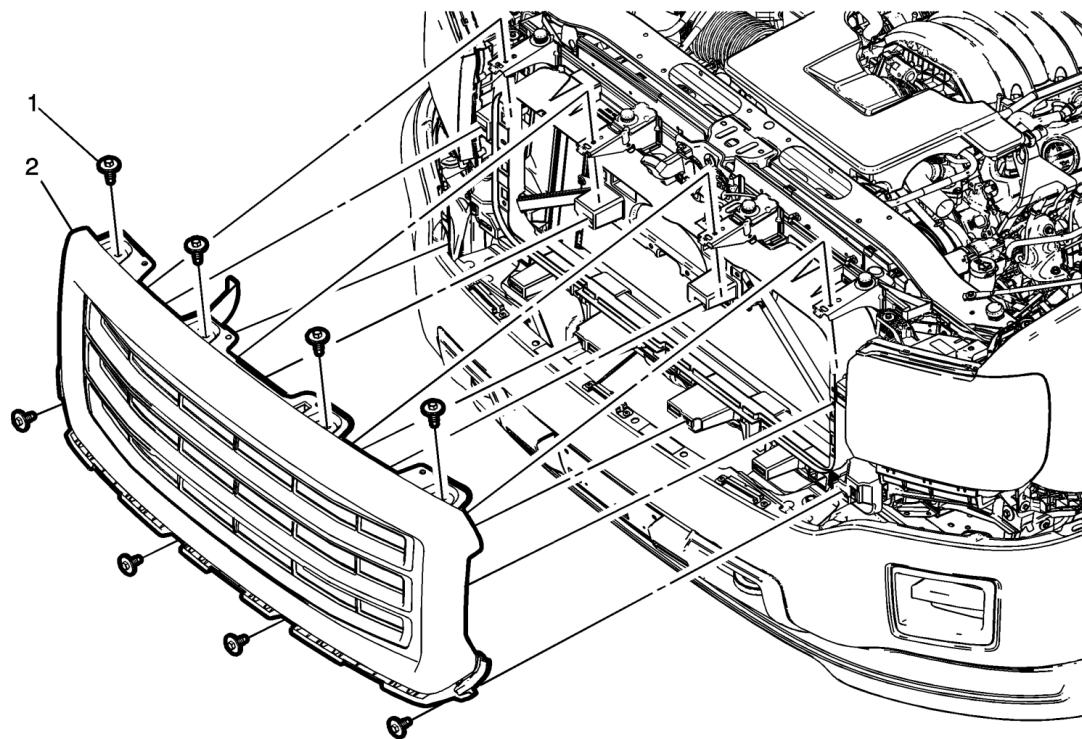


1. Install the radiator inner grille (2) to the Accessory grille.
2. Install the retained radiator inner grille screws (1).

**Tighten**

Tighten the screws to 2.5 N.m (22 lb in).





3. Position the front Accessory grille (2) to the 8 spring clips on the shutter body.
4. Install the previously retained front grille bolts (1).  
**Tighten**  
Tighten the bolts to 7 N.m (62 lb in).
5. Install all previously removed components.