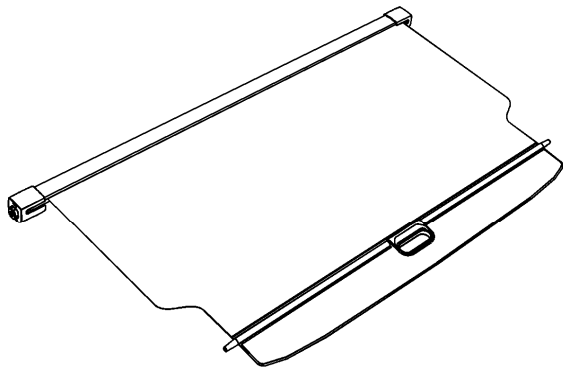


# Luggage Shade Package Installation

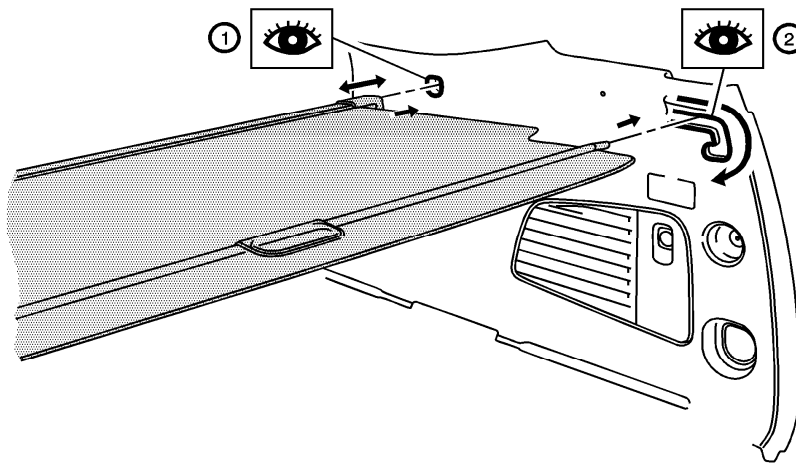
Installation Instructions Part Number

22964393

[Package Contents](#)



[Procedure](#)



© 2012 General Motors. All rights reserved.

	Date	Revision	Auth	DR	Installation Instructions
ALL INFORMATION WITHIN ABOVE BORDER TO BE PRINTED EXACTLY AS SHOWN ON 8.5X11 WHITE 16 POUND NON-BOND RECYCLABLE PAPER PRINT ON BOTH SIDES, EXCLUDING TEMPLATES TO BE UNITIZED IN ACCORDANCE WITH GM SPECIFICATIONS	30OC12	Initial Release – Thomas Gibbons	EWO 1753974		Luggage Shade Package Installation
					22964393
					Insert Page No.