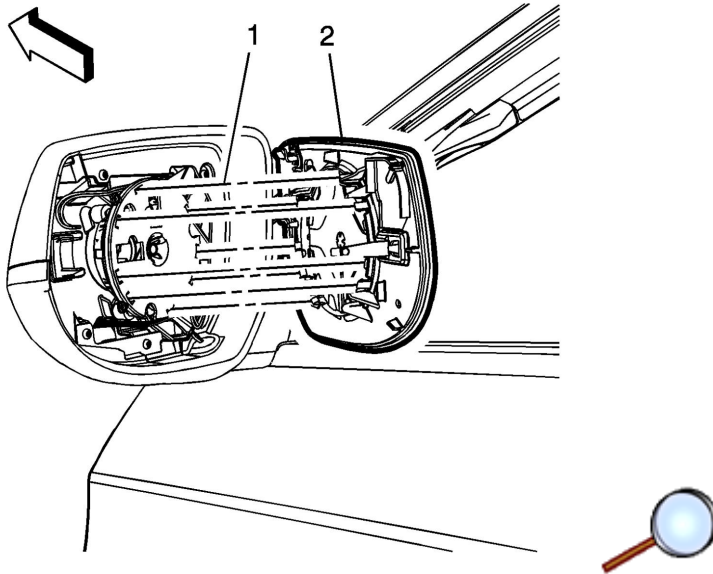


Outside Rearview Mirror Housing Cover Package Installation

Installation Instruction Part Number

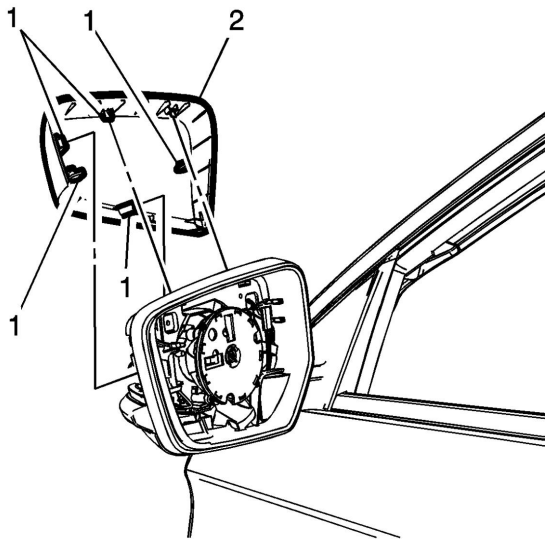
22965103

[Removal Procedure](#)



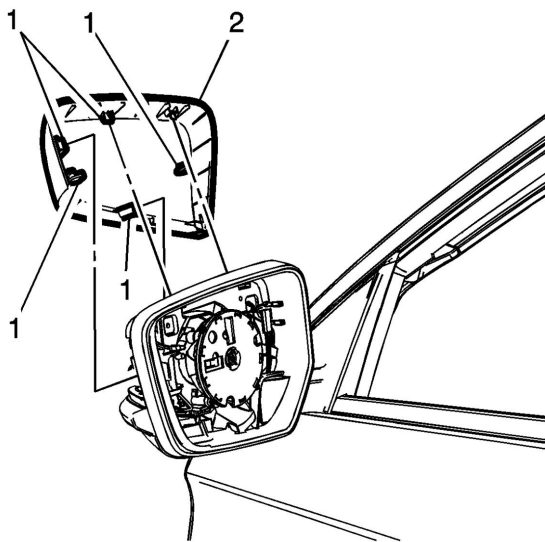
Warning: When working with any type of glass or sheet metal with exposed or rough edges, wear approved safety glasses and gloves in order to reduce the chance of personal injury.

1. Place masking tape over the mirror glass.
2. Carefully push the outside rearview mirror glass (2) upward and into the right corner of the mirror housing, allowing access to the bottom edge.
3. Grasp the bottom edge of the mirror glass firmly, lift it up and pull rearward until the mirror glass retainers (1) release the actuator motor ring.
4. Disconnect the electrical connectors.

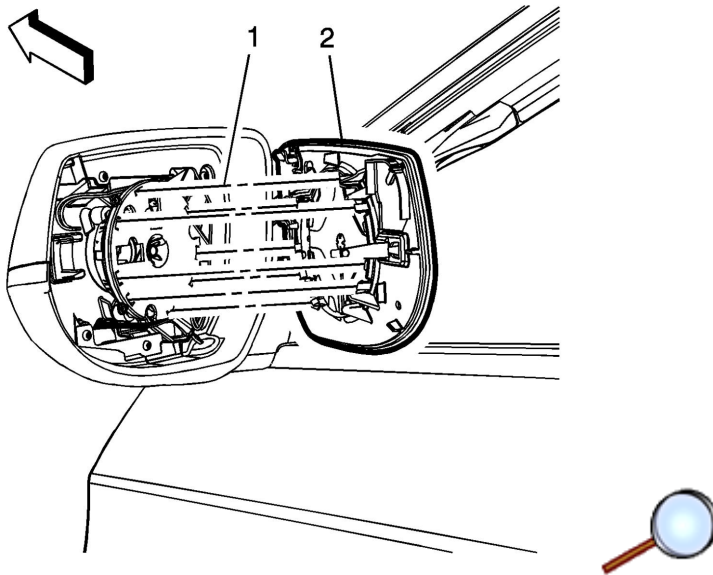


5. From inside the mirror housing insert a suitable tool in the opening then push rearward releasing the retaining clips (1) from the assembly.
6. Remove the mirror housing cover (2) from the mirror housing assembly.

[Installation Procedure](#)



1. Align the mirror housing cover (2) with the base of the outside mirror housing assembly, push forward until the housing cover is fully seated into the outside rearview mirror base.



2. Connect the electrical connectors.
3. Place the mirror glass (2) in the lower motor retainers.
4. Place one hand on the back of the mirror housing, using the flat palm of the other hand press inward locking the mirror glass retainers (1) into the actuator motor ring.
5. Remove the masking tape.
6. Inspect the mirror for proper operation.