

Rear Compartment Lid Inner Panel Trim Package Installation (Installation Instructions)

[Installation Instructions Part Number](#)

23164255

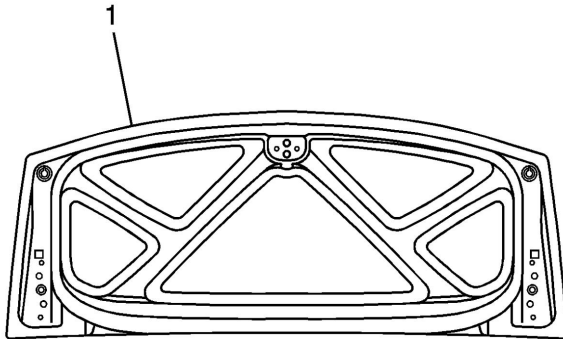
Kit Contents

Qty	Description
1	Deck Lid Liner
6	Push Pins
3	Velcro®. Strips

Tools Required

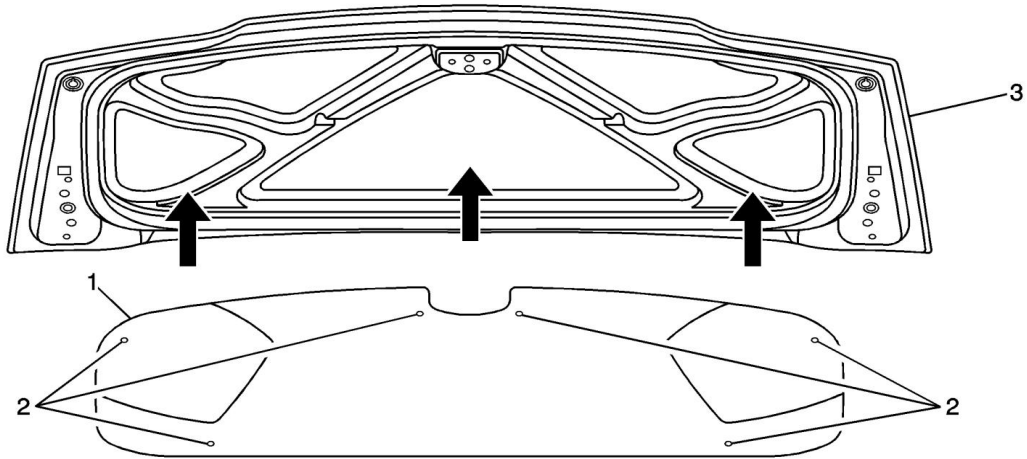
- Hand Drill
- Drill Bit Stopper
- 8 mm (5/16") Drill bit

[Procedure](#)



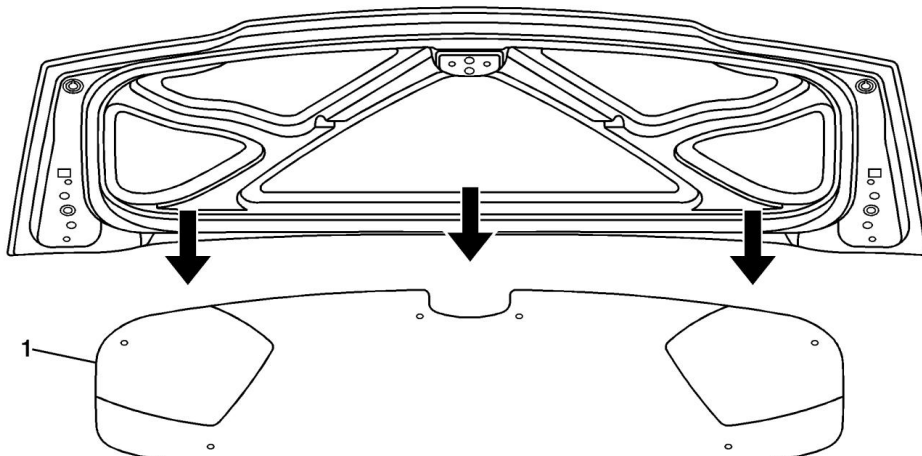
Important: PLEASE CAREFULLY FOLLOW ALL INSTRUCTIONS TO ENSURE BEST FIT AND APPEARANCE.

1. Unlock the trunk and lift the deck lid (1) completely.

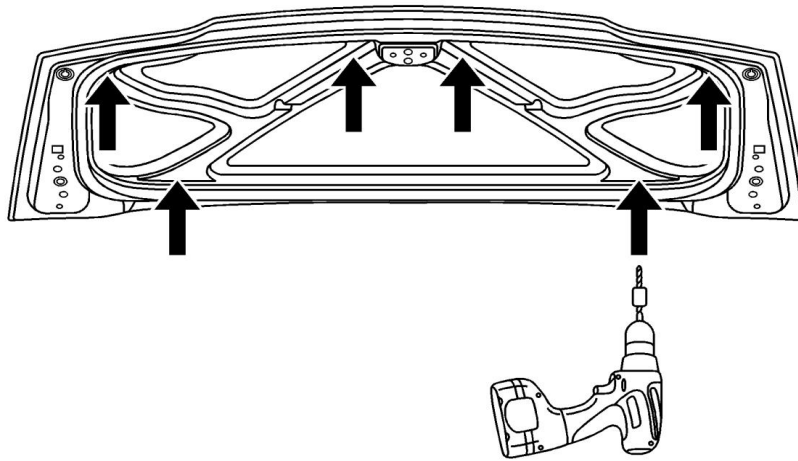


Caution: Always check scale, size and position of all templates before drilling. Failing to do so may cause damage to the vehicle, misalignment of components or the inability to install the accessory.

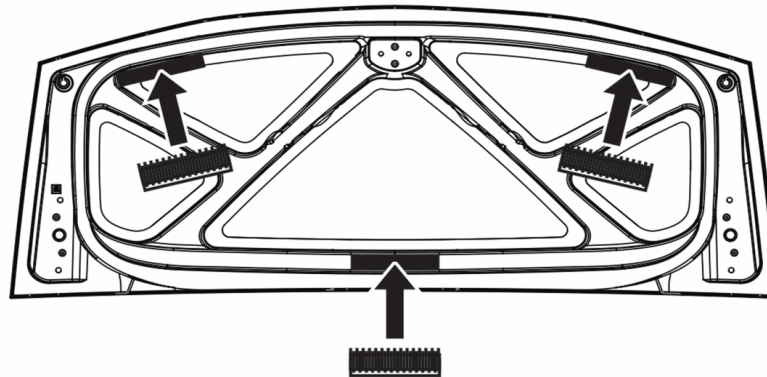
2. Press the liner (1) directly onto the frame of the trunk lid (3) and position it so that the top edge is as far as up as possible (latch side of the trunk lid). Locate the six holes (2) on the liner then mark those locations on the lid frame.



3. Remove the liner (1) from the frame.

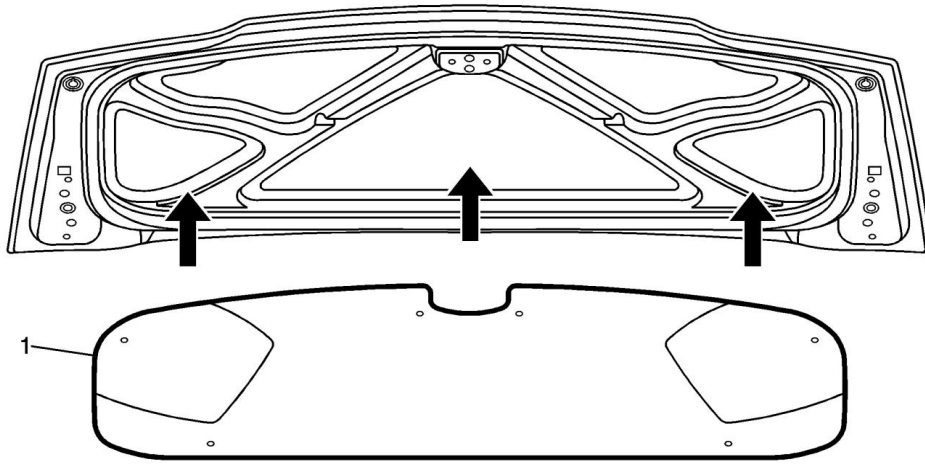


4. Set the drill with a stopper (or equivalent) of 10 mm, then drill a hole using an 8 mm (5/16") drill bit on each marked location.

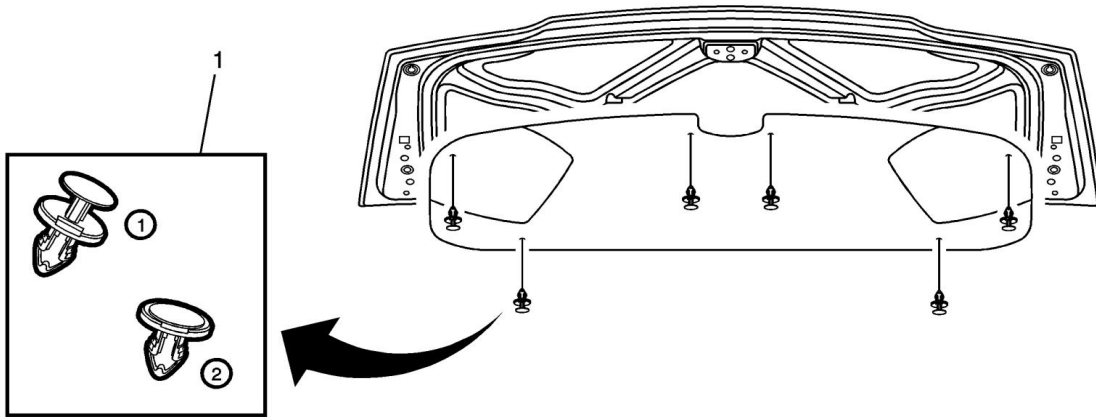


Important: PLEASE CAREFULLY FOLLOW ALL INSTRUCTIONS TO ENSURE BEST FIT AND APPEARANCE.

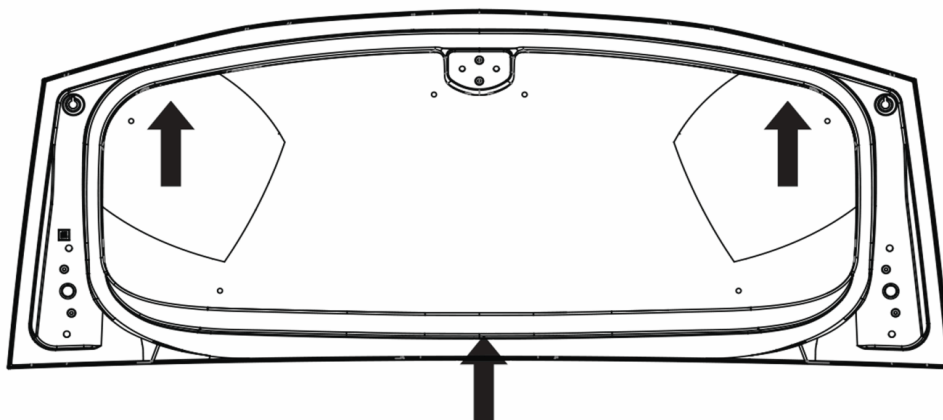
5. Clean the bottom center and top corners of the frame. Then attach sticky Velcro®. at those locations.



6. Press the liner (1) back onto the frame without pressing down onto the Velcro®.



7. Insert the push-pins (1) (unlocked) into the holes, then lock them in place by pushing down on the top.



8. Firmly press the cover at the bottom center and the top corners to attach the Velcro®.