

  
**Document ID: 4032452**

## Cargo Lamp Kit Installation

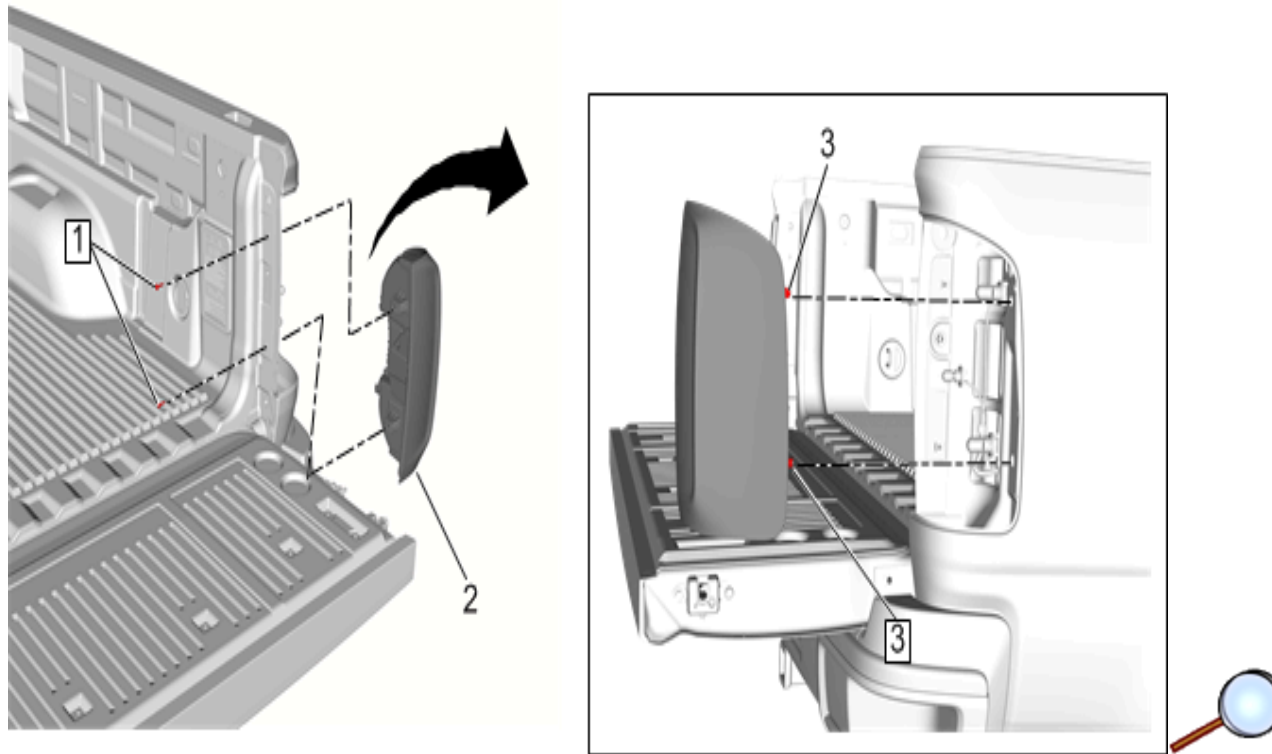
### Installation Instructions Part Number

23199879

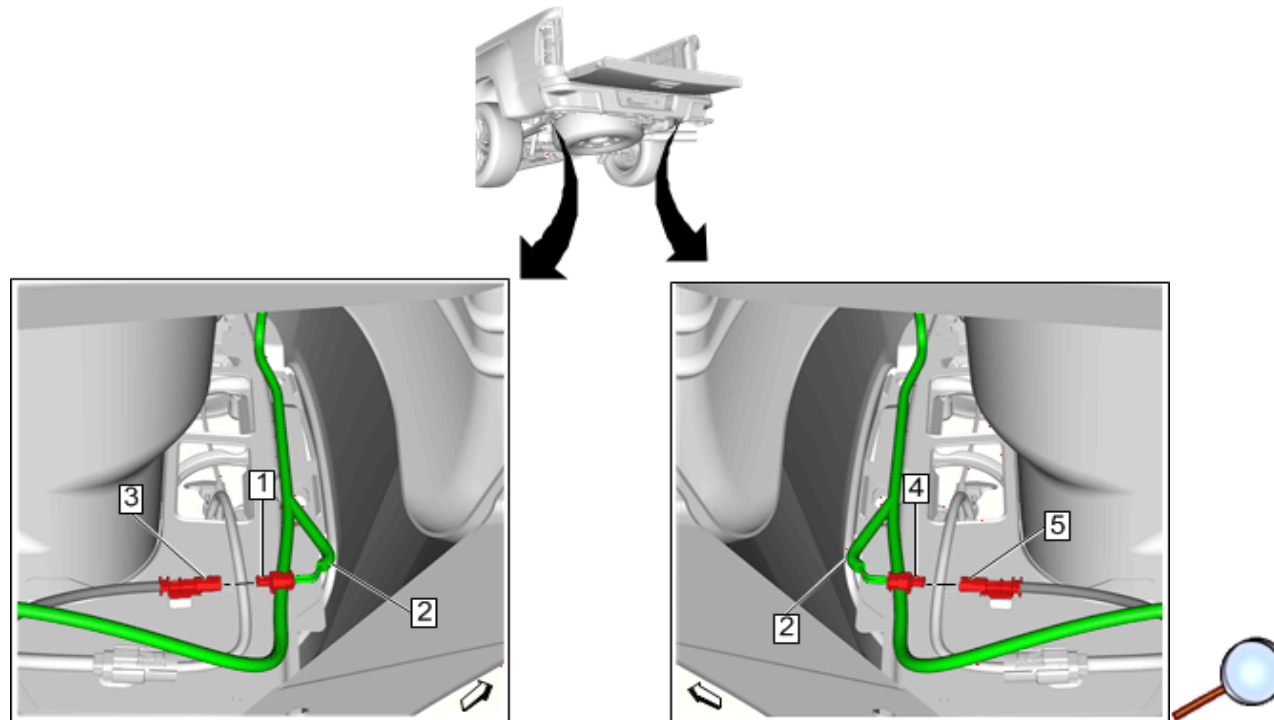
#### Kit Contents

Qty	Description
2	Cargo Lamp
1	Wire Harness
4	Push Nut
4	Screw
15	Tie Strap
1	Installation Instructions

### [Procedure](#)

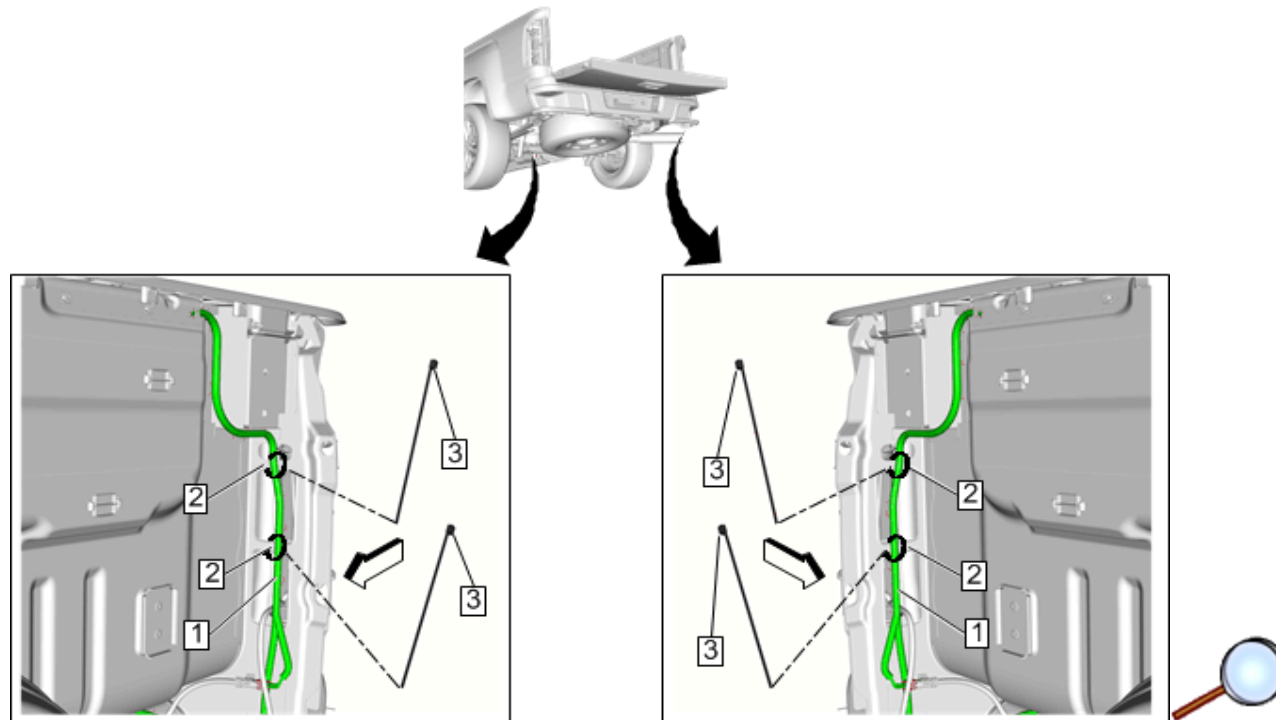


1. Open tailgate.
2. Remove the screws (1) from left and right tail lamp (2).
3. Pull out on tail lamp and disengage guides (3).
4. Disconnect tail lamp sockets from tail lamp and store tail lamp in secure area.
5. Remove spare tire, if necessary. Refer to Vehicle Service Manual.

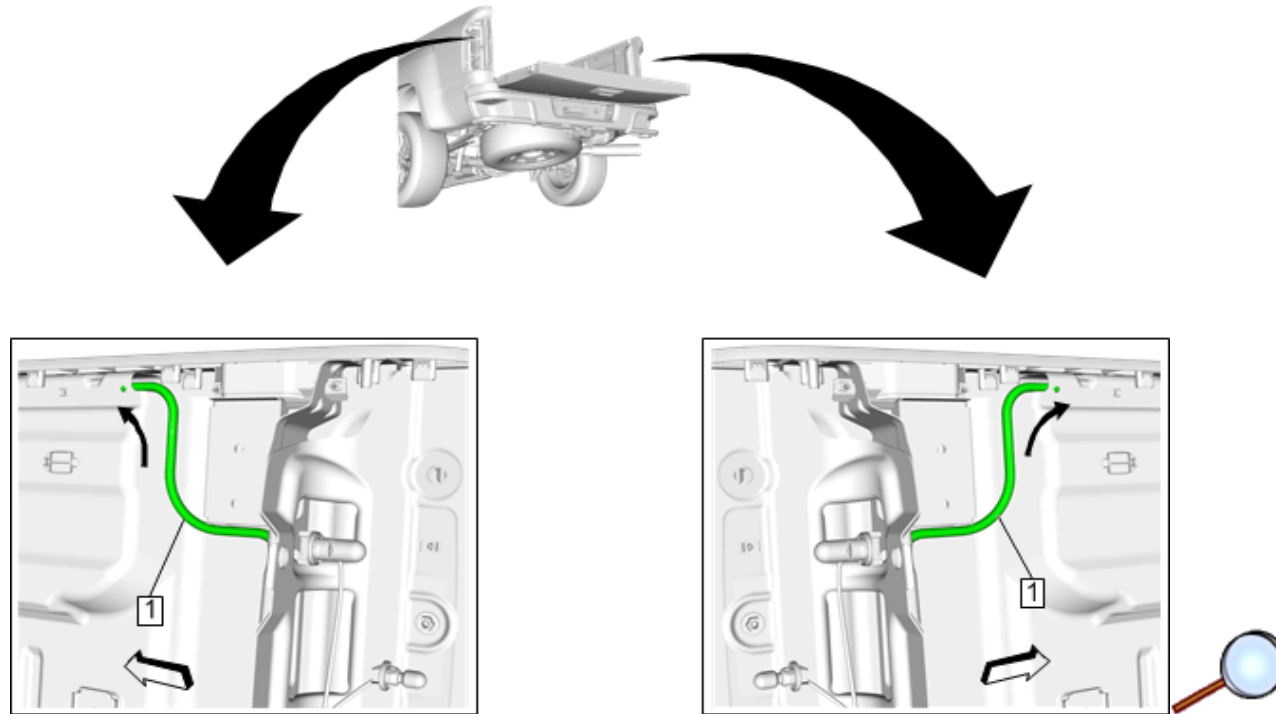


6. From the underside of the vehicle below the tail lamp reinforcement, connect the connectors (1) of the bed lamp harness (2) to the chassis harness connector (3).

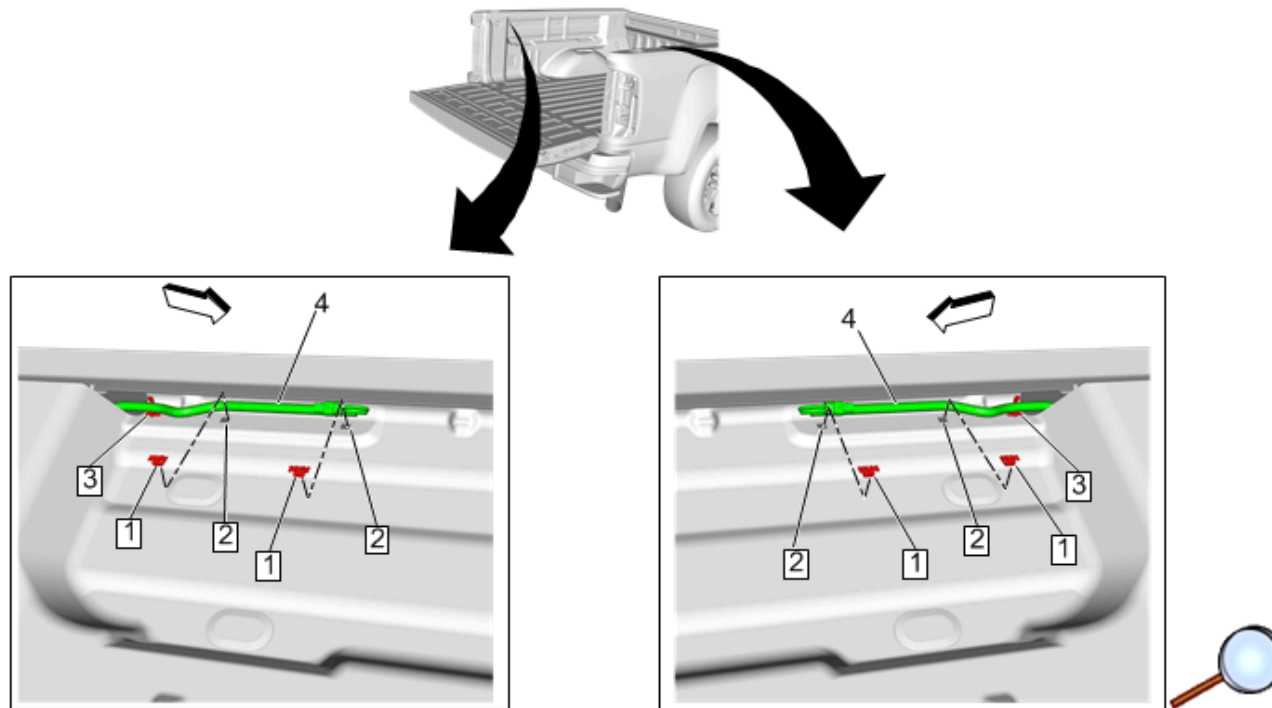
**Note:** The wiring harness that connects to Passenger side Lamp is Marked "Passenger Side" and harness end tagged with 8-digit GM P/N plugs into Left Hand Lamp. The remaining connection with small breakout goes inline to Chassis harness.



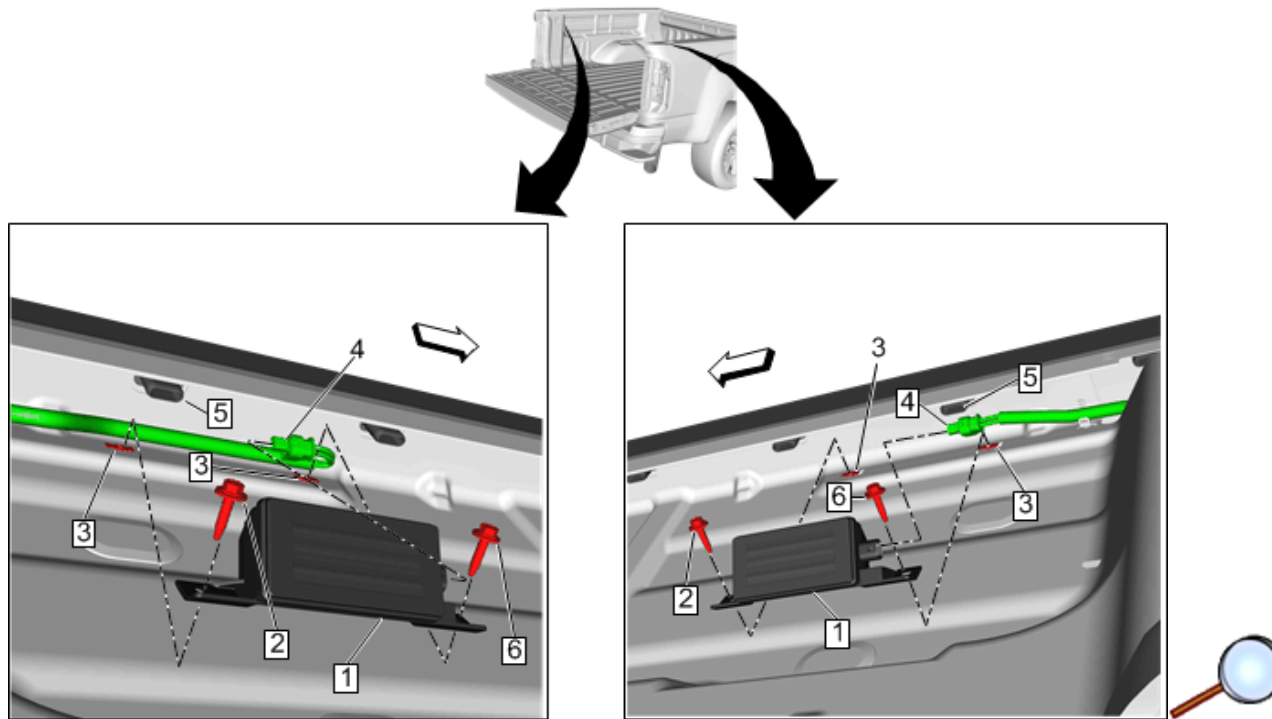
7. Route bed lamp harness (1) upward and secure with tie straps (3) to tail lamp reinforcement (2).



8. Continue to route bed lamp harness (1) through hole in bed side reinforcement.



9. Once bed lamp harness (4) is pulled through, attach rosebud (3) to inner box panel.
10. Supplied in kit, engage the push nuts (1) into the inner box panel (2).



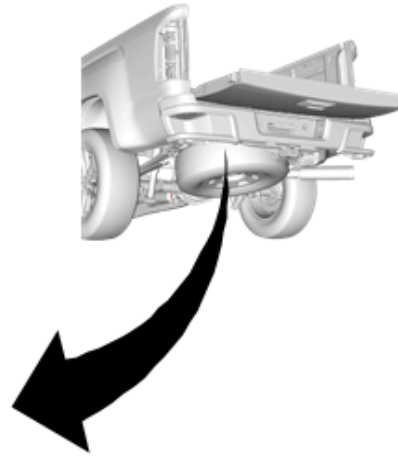
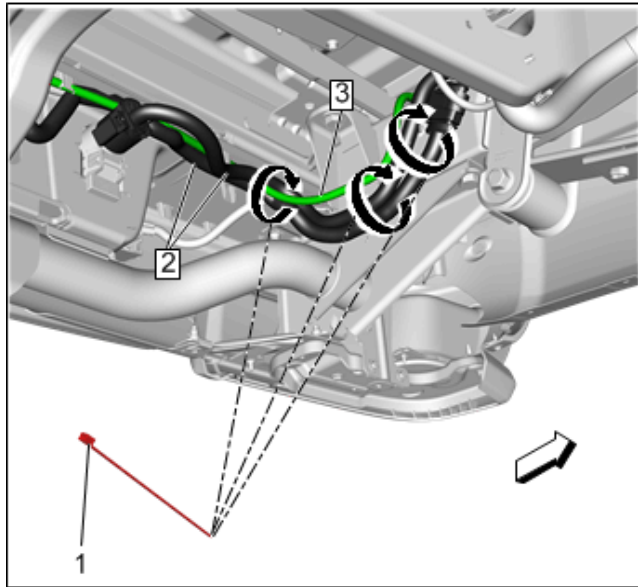
**Note:** Cargo lamps are both the same, they can be used for either the driver or passenger side.

**Note:** Driver side harness routes behind cargo lamp and connector engages toward front of vehicle.

**Note:** Passenger side harness routes to cargo lamp and connector engages at rear of vehicle.

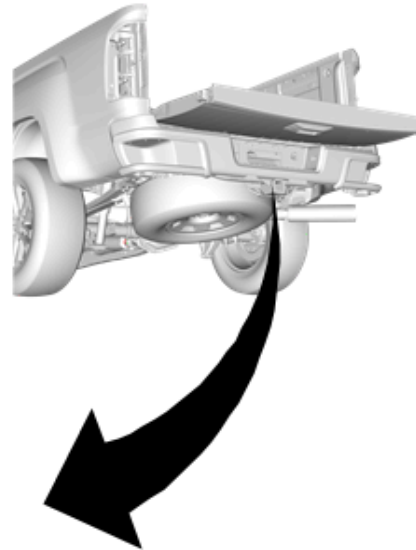
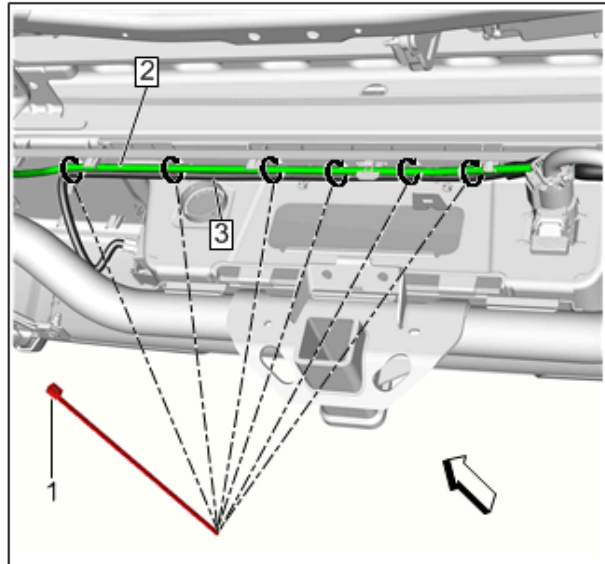
**Note:** Prior to installing cargo lamp, it may be necessary to remove the tab (5) from the bed rail cover. If required, the tab may be removed by pushing in and out.

11. Position cargo lamp (1) to push nuts (3).
12. Install supplied screws (6) to cargo lamp near connector and tighten.
13. Connect harness connector (4) to cargo lamp.
14. Install the remaining supplied screws (2) to cargo lamp and tighten.



15. Secure the bed lamp harness (3) with tie straps (2) to the rear license lamp harness and chassis harness (2) on driver side.





16. From behind the rear bumper, secure the bed lamp harness (2) with tie straps (1) to the rear license lamp harness (3).
17. Test the function of cargo lamps.
18. Reinstall all previously removed components.