

Front Grille Package Installation (Chevrolet 2500 3500)

Installation Instructions Part Number

23207685

Kit Contents

| Qty | Description |
|-----|---------------------------|
| 1 | Upper Grille |
| 1 | Installation Instructions |

Tools Required

Flathead Screwdriver

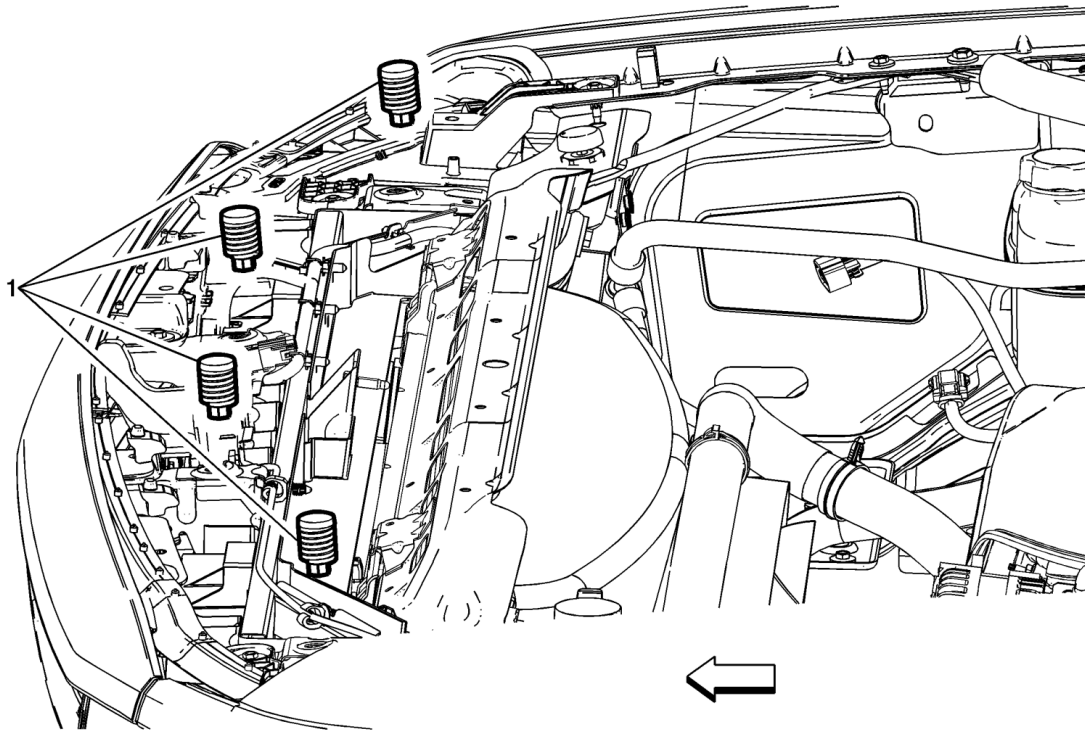
7mm, 10mm Socket

J 39544-KIT Complete Torque Socket Set 10 pieces

Procedure

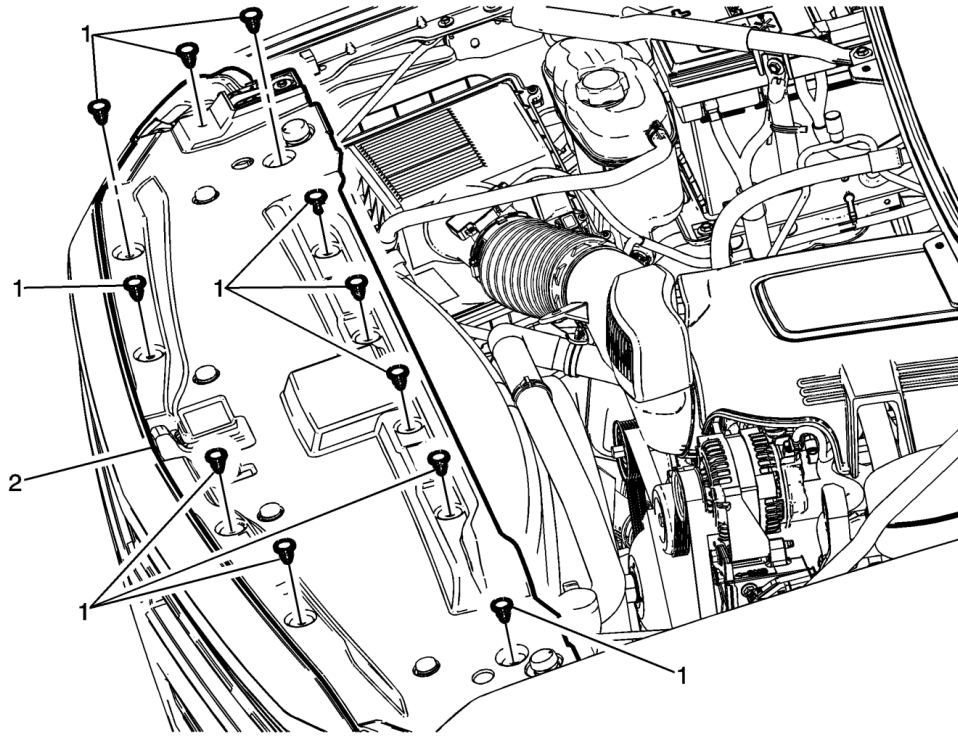
Remove Front Compartment Sight Shield

Caution: Use the correct fastener in the correct location. Replacement fasteners must be the correct part number for that application. Fasteners requiring replacement or fasteners requiring the use of thread locking compound or sealant are identified in the service procedure. Do not use paints, lubricants, or corrosion inhibitors on fasteners or fastener joint surfaces unless specified. These coatings affect fastener torque and joint clamping force and may damage the fastener. Use the correct tightening sequence and specifications when installing fasteners in order to avoid damage to parts and systems.



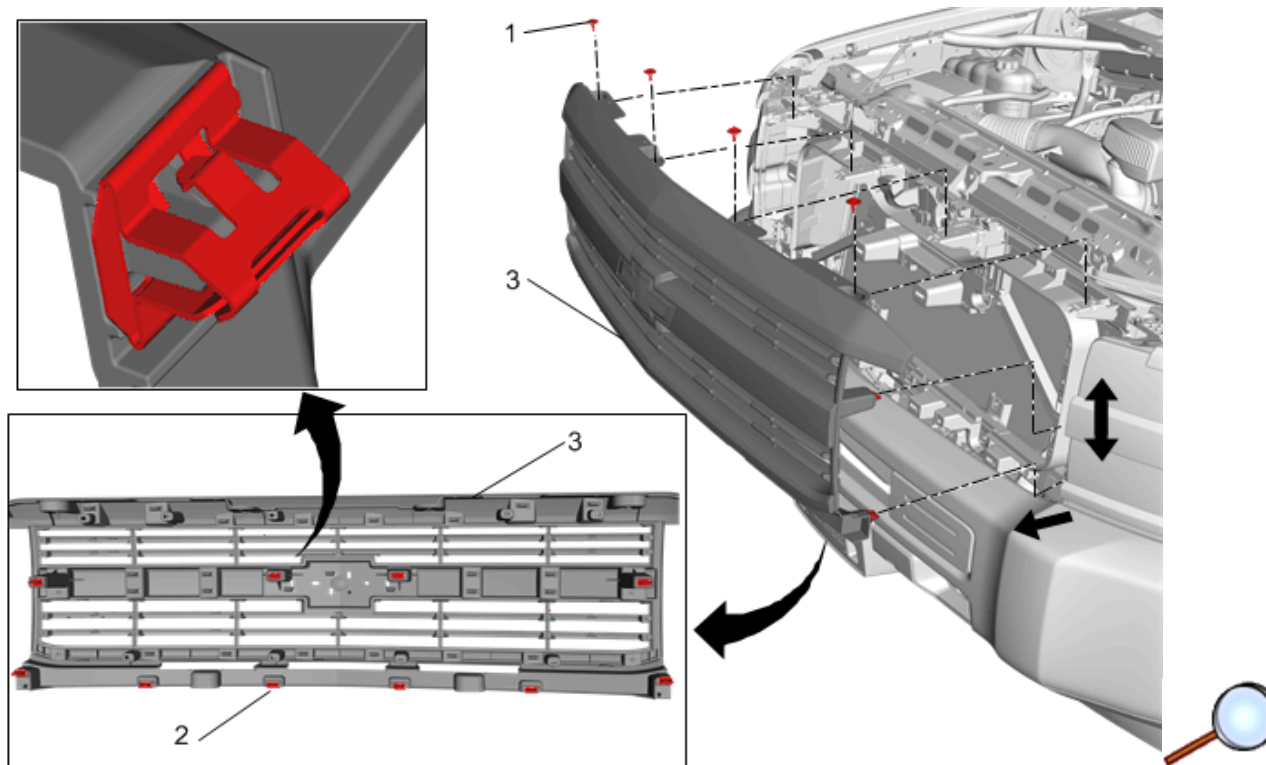
1. Remove the hood front bumpers (1)

Note: Do not disassemble hood bumpers.



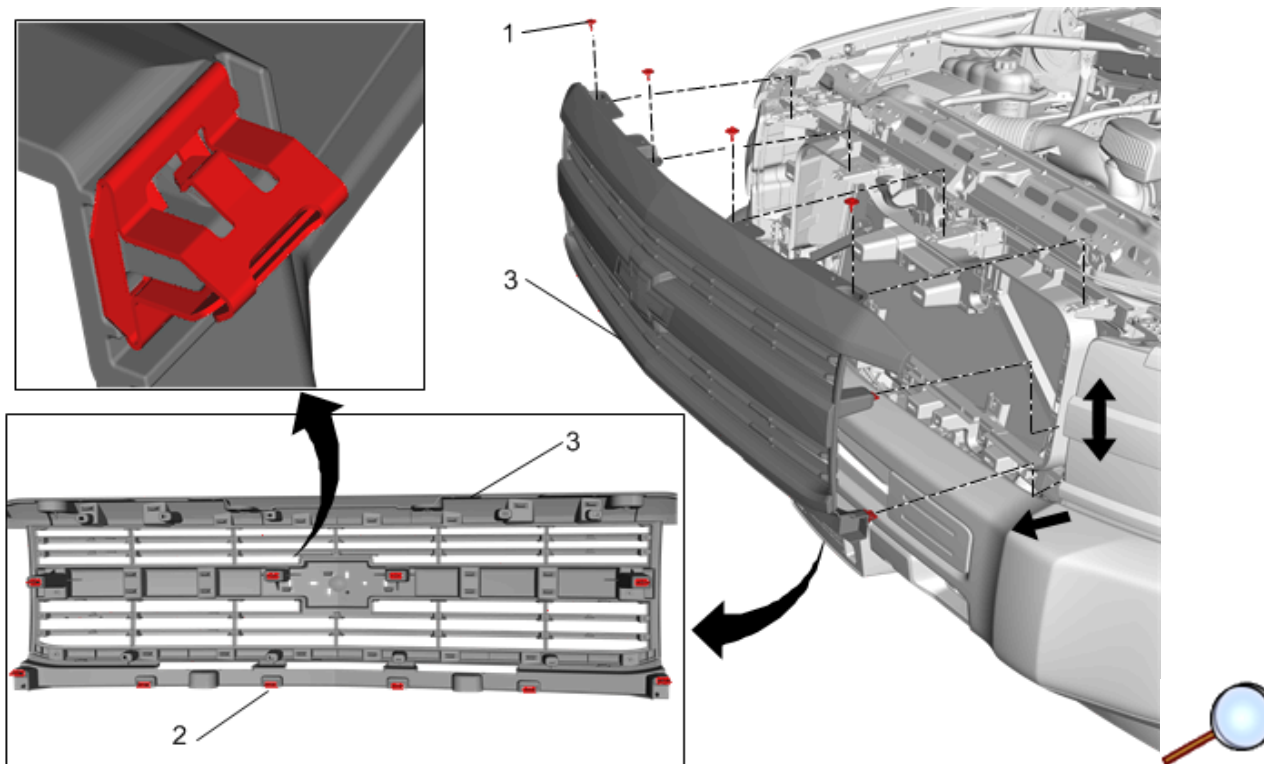
2. Remove and retain the front compartment front sight shield push-in retainers (1).
3. Remove the front compartment front sight shield (2).

Remove OEM Grille



1. Remove and retain the front grille bolts (1).
2. Disengage the four top F/A pins from the grille opening reinforcement holes by lifting up on the upper grille flange.
3. With two hands and starting at either end firmly pull the front grille (2) releasing the 10 spring clips from the grille opening reinforcement.

Install Radiator Inner Grille and Accessory Grille



1. Position the front Accessory grille (2) to the 10 spring clips on the grille opening reinforcement.
2. Engage the four top F/A pins.
3. Install the previously retained front grille bolts (1).
Tighten
 Tighten the bolts to 7 N.m (62 lb in).
4. Install all previously removed components.