

Rear Closure Center Applique Kit Installation

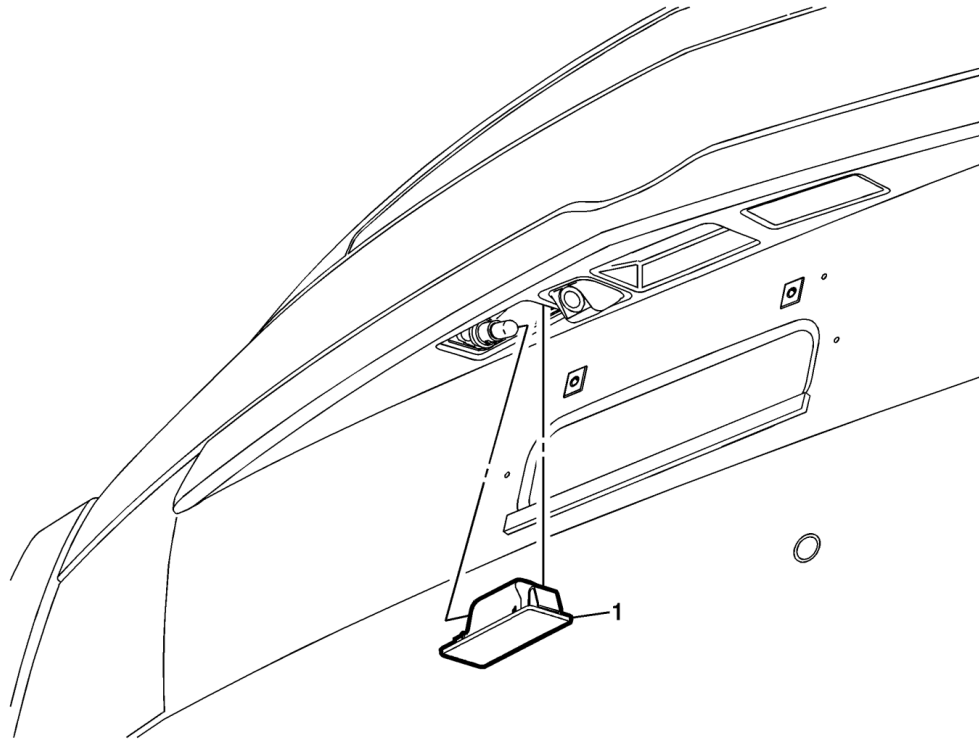
[Installation Instructions Part Number](#)

23231987

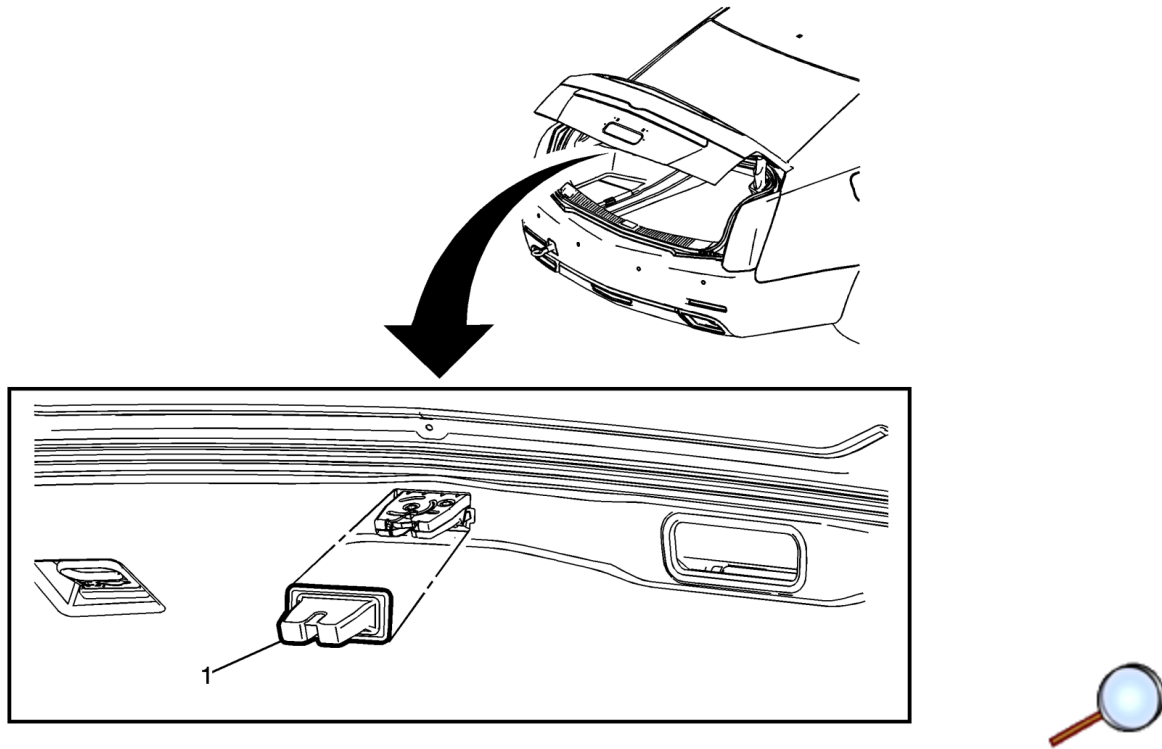
Kit Contents

Qty	Description
1	Rear Closure Center Applique
1	Installation Instructions

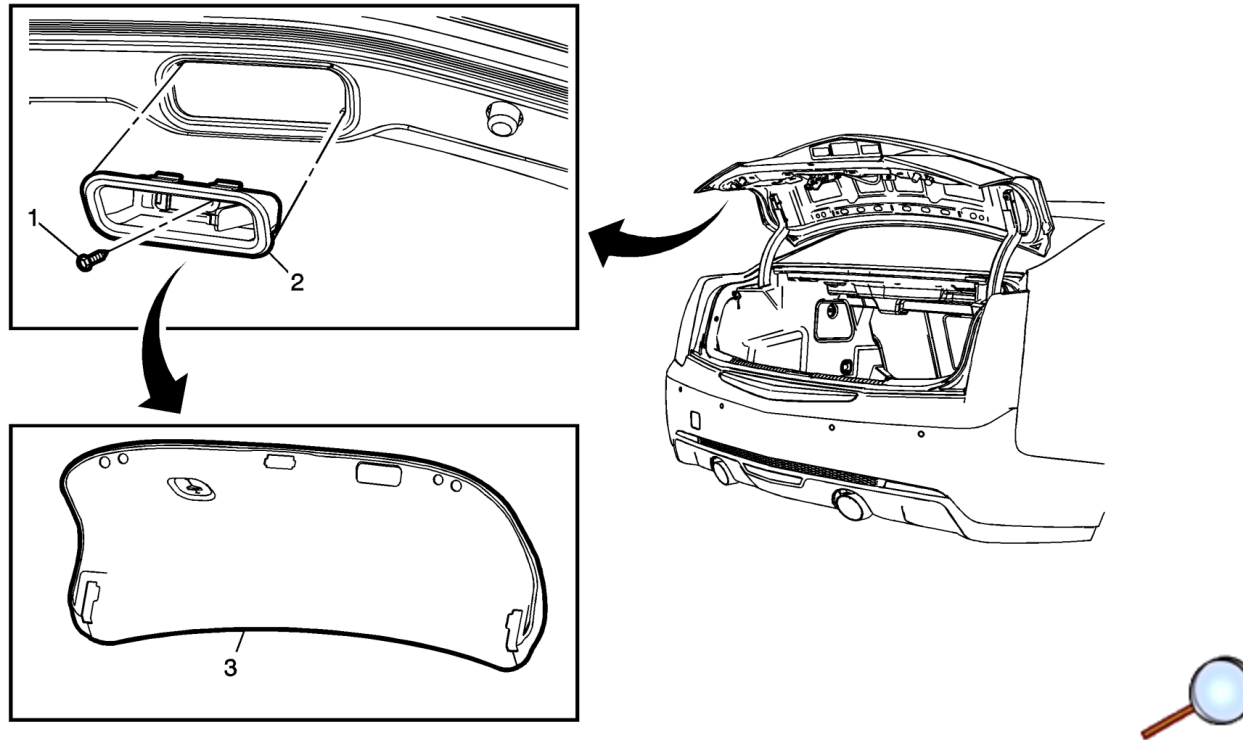
[Procedure](#)



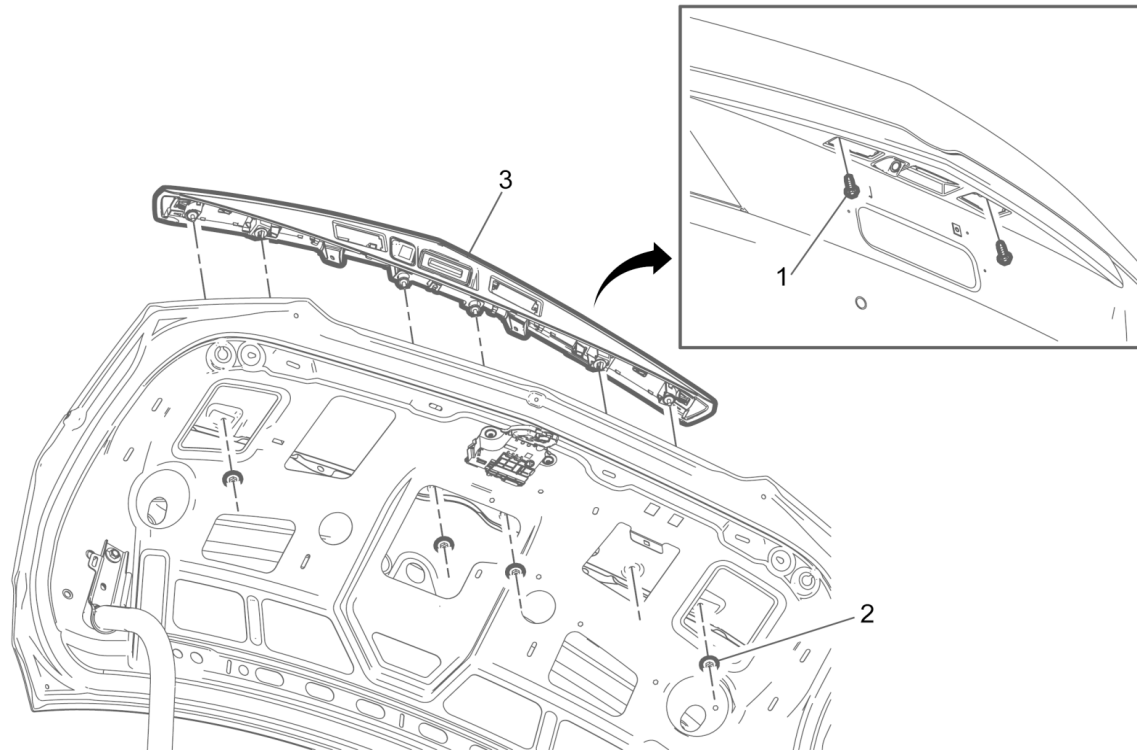
1. Using a flat bladed tool, compress the locking tab on the passenger side of the rear license plate lamp (1) and release from the rear closure applique.
2. Turn the rear license plate lamp bulb socket pull from the rear license plate lamp.



3. Using a small flat bladed tool, pull and release the rear compartment lid latch cover (1).

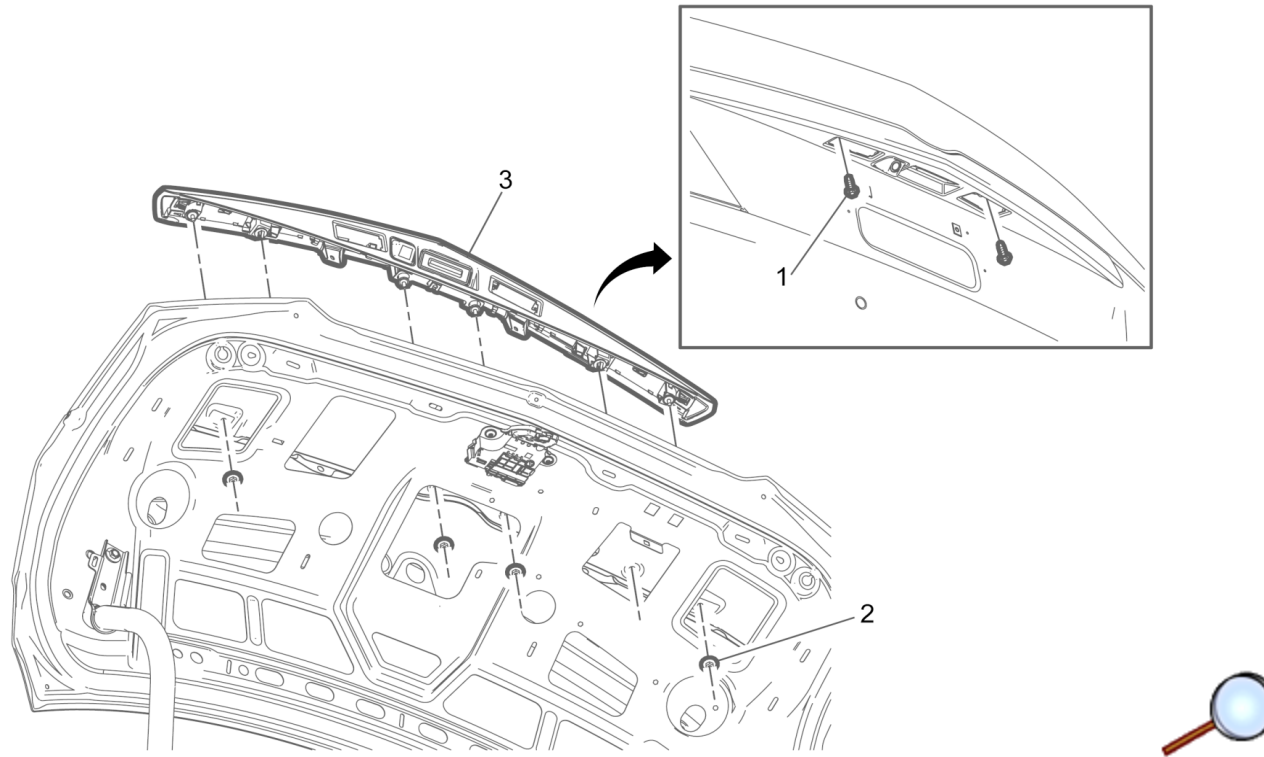


4. Using a small flat bladed tool, open the integral cover to access fastener (1).
Upon reassembly tighten the fastener to 2.5 N.M (22 lb in).
5. Remove the rear compartment lid inside handle (2).
6. Using an appropriate plastic trim tool, remove the rear compartment lid inner trim panel (3).



7. Remove and retain the rear closure center applique bolts (1).
8. Remove and retain the rear closure center applique nuts (2).
9. Disconnect the electrical connector.
10. Release the two location retainers attaching the applique to the rear compartment lid.
11. Disengage the electrical harness grommet and pull the OEM rear closure center applique (3) from the rear compartment lid.
12. Transfer parts to accessory rear closure center applique as needed.

Install Accessory Rear Closure Center Applique



1. Engage the electrical harness grommet and position the accessory rear closure center applique (3) to the rear compartment lid engaging the two locating retainers.
2. Install the rear closure center applique nuts (2).
Tighten the nuts to 4 N.m (35 lb in).
3. Install the rear closure center applique bolts (1).
Tighten the bolts to 2.5 N.m (22 lb in).
4. Install all previously removed components.