

## Front Tow Hook Package Installation (Instruction ID:23253075)

### Installation Instructions Part Number

23253075

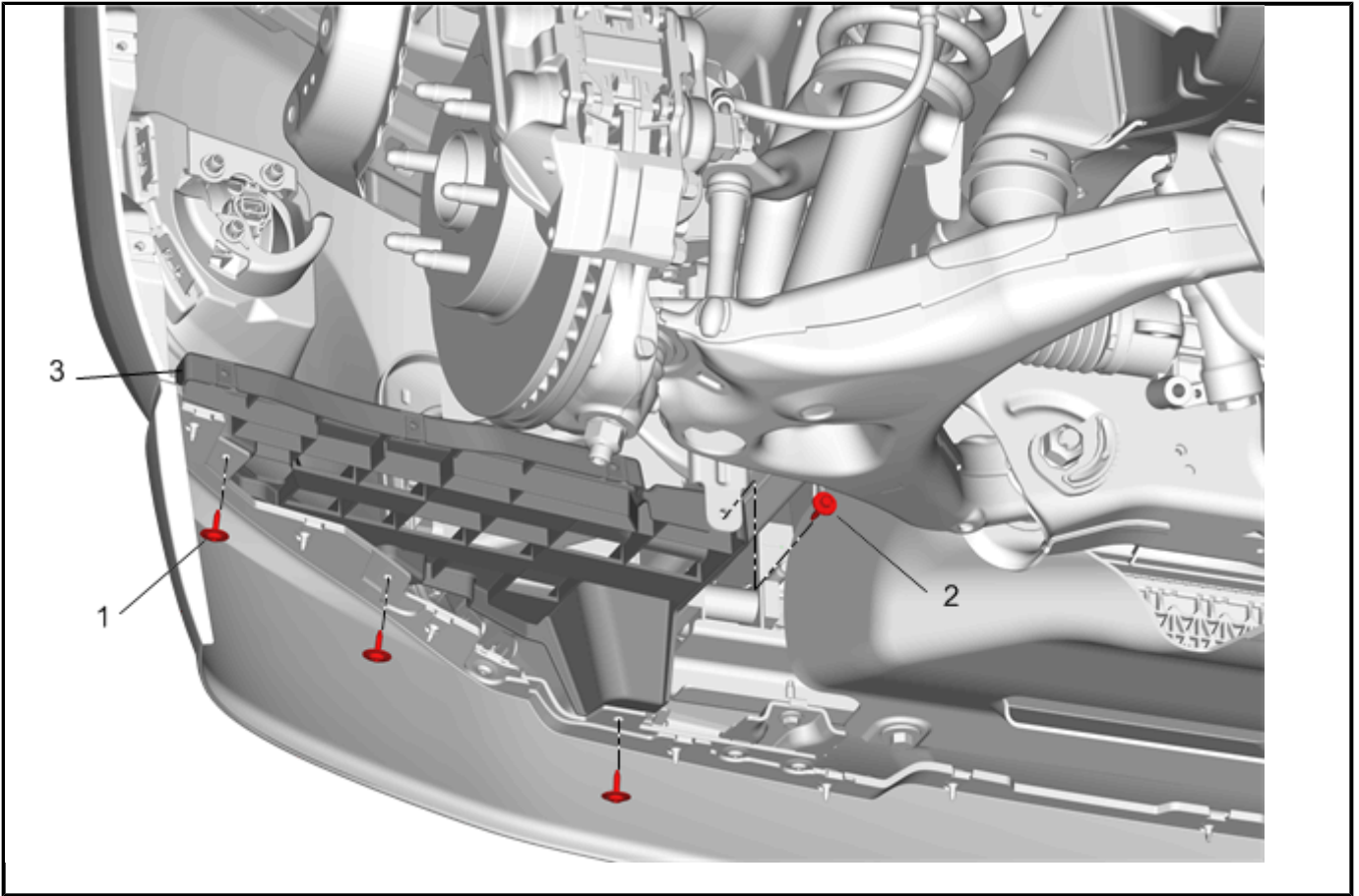
**Note:** If the front fascia does not have hook openings, order the appropriate components from the table below and replace. **Refer to Vehicle Service Manual for Front Bumper Fascia Skid Plate Replacement.**

### Front Fascia

Front Fascia Description	Part Number	Part Description	Qty
Chevy without Fog Lamp	22891697	MIC Skid Plate	1
Chevy with Fog Lamp	22891697	MIC Skid Plate	1
GMC MIC without Fog Lamp	22891734	MIC Skid Plate	1
GMC MIC with Fog Lamp	22891734	MIC Skid Plate	1
GMC Chrome with Fog Lamp	22925747	Chrome Skid Plate	1
	22925741	MIC Backing	1
	11562364	Shoe Clip [10x]	10
	25606274	Retainer for Foam [2x]	2

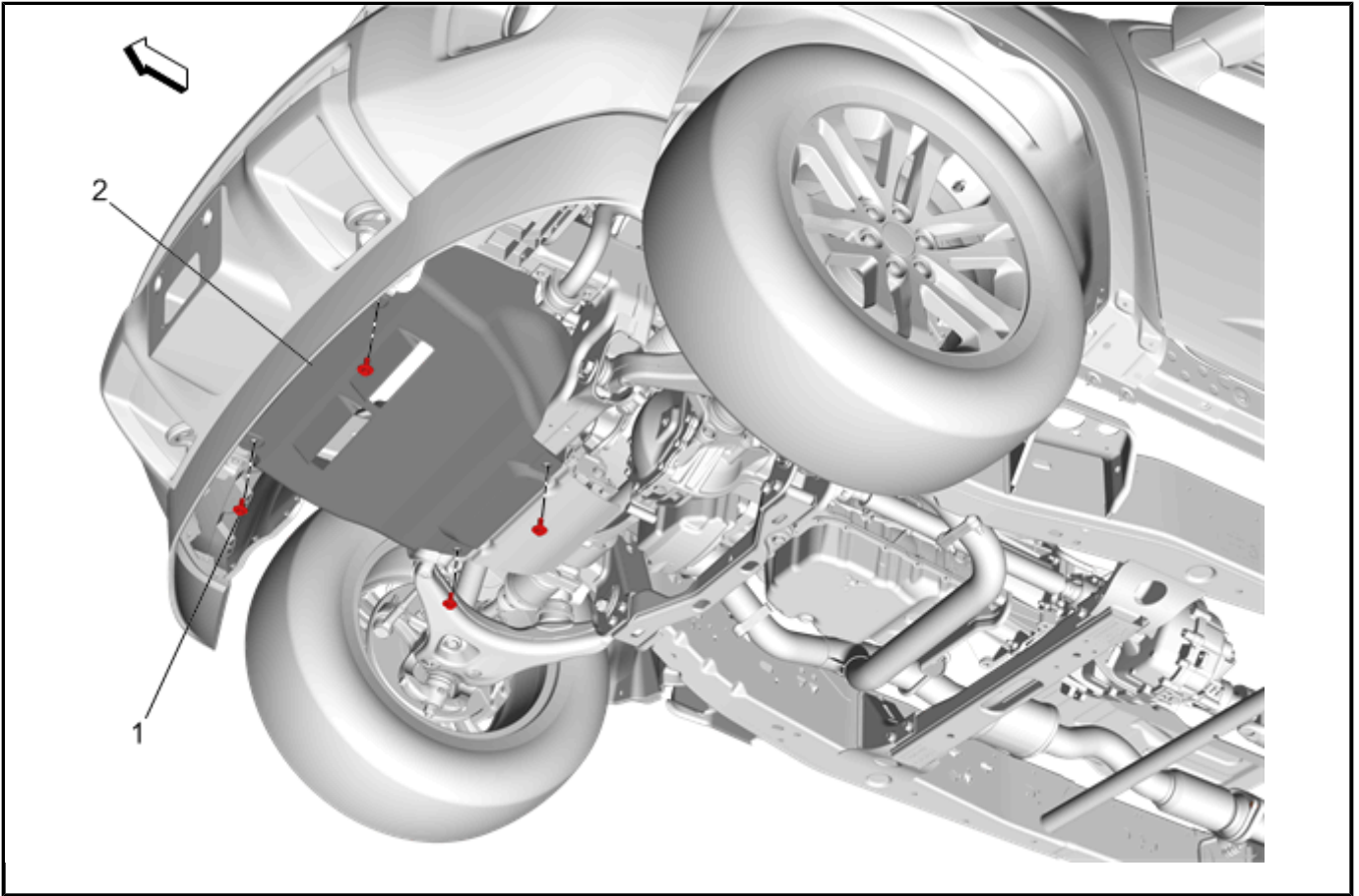
### Procedure

1. Raise and support the vehicle. **Refer to Vehicle Service Manual.**



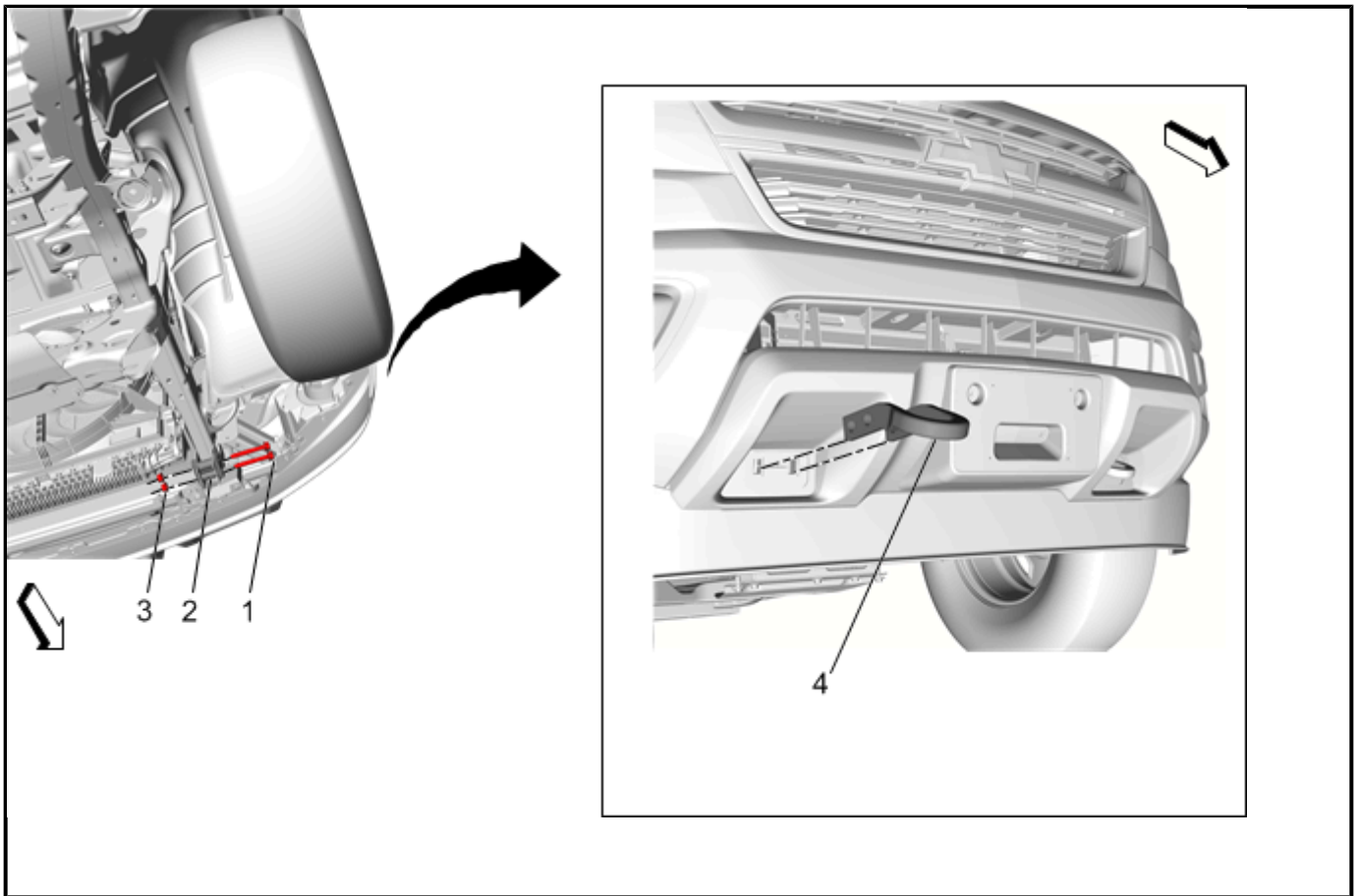
3722500

2. Remove the front bumper intermediate filler (3). **Refer to Vehicle Service Manual.**



3762624

3. Remove the underbody splash shield (2). **Refer to Vehicle Service Manual.**

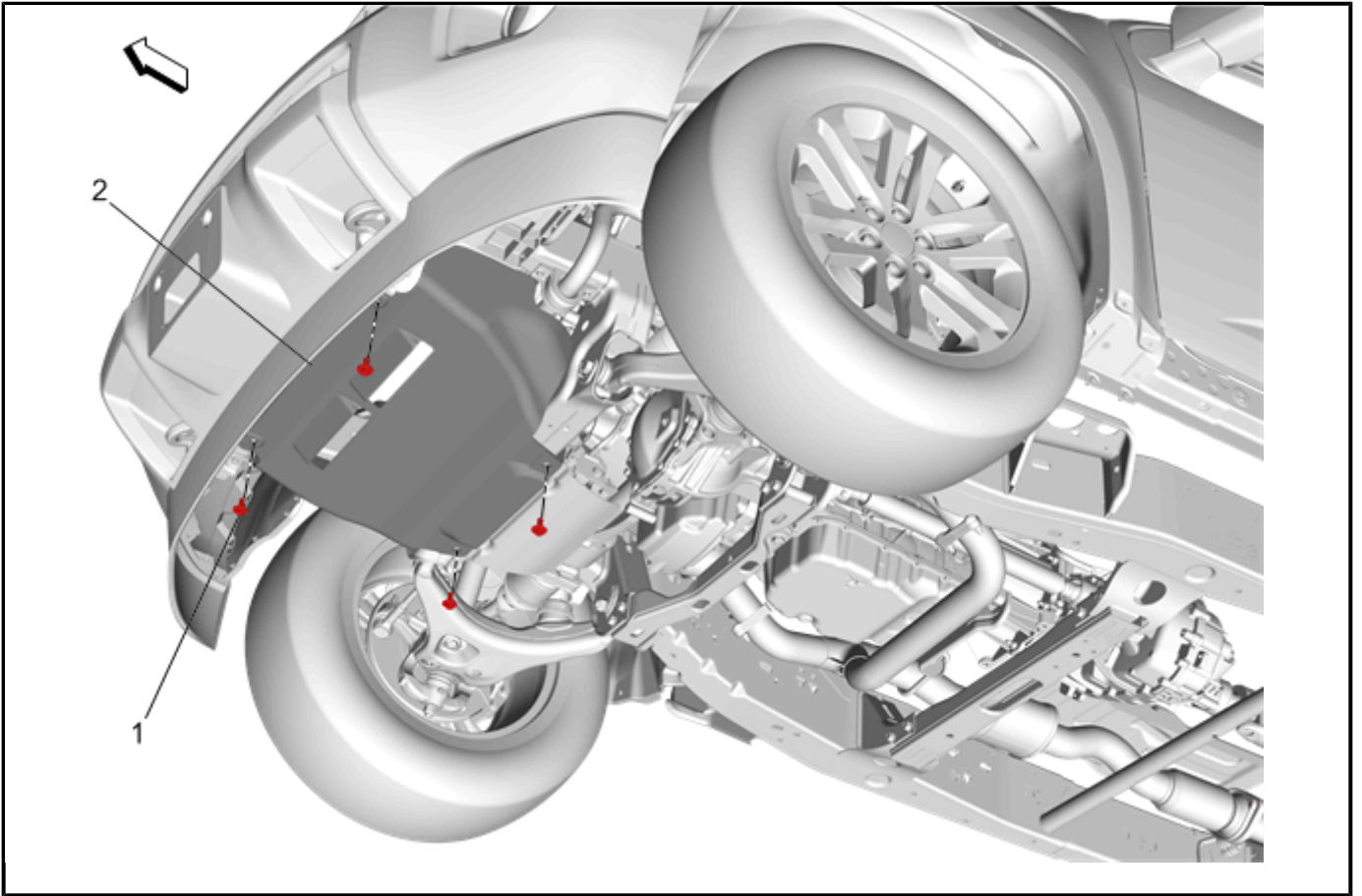


3788516

4. Remove the tow hook bolts (1), spacers (2) and nuts (3) from the vehicle, if equipped.
5. Remove the front tow hooks (4) from the vehicle, if equipped.

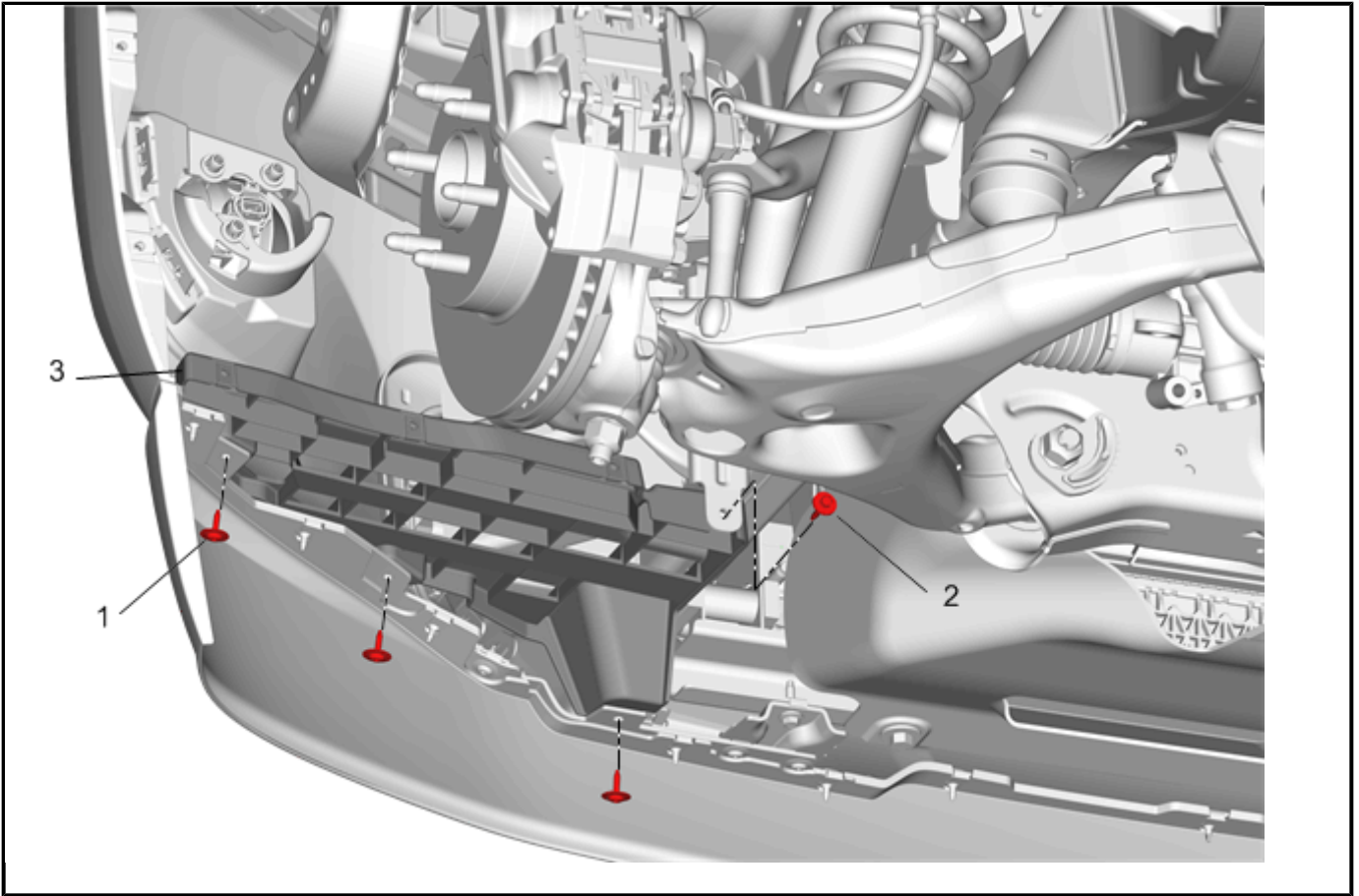
**Caution:** Use the correct fastener in the correct location. Replacement fasteners must be the correct part number for that application. Fasteners requiring replacement or fasteners requiring the use of thread locking compound or sealant are identified in the service procedure. Do not use paints, lubricants, or corrosion inhibitors on fasteners or fastener joint surfaces unless specified. These coatings affect fastener torque and joint clamping force and may damage the fastener. Use the correct tightening sequence and specifications when installing fasteners in order to avoid damage to parts and systems.

6. Install the accessory tow hooks (4) and spacers (2) to the vehicle frame rail. Loosely install the bolts (1) and nuts (3). Apply upward vertical pressure to keep tow hooks in uppermost vertical position and tighten bolts to **100 Y (74 lb ft)**.



3762624

7. Install the underbody splash shield (2). **Refer to Vehicle Service Manual.**



3722500

8. Install the front bumper intermediate filler (3). **Refer to Vehicle Service Manual.**
9. Lower the vehicle.