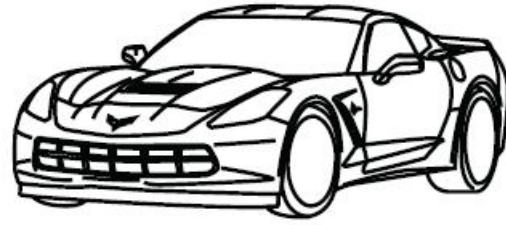


Front End Mask - Chevrolet Corvette Z06

Contents:

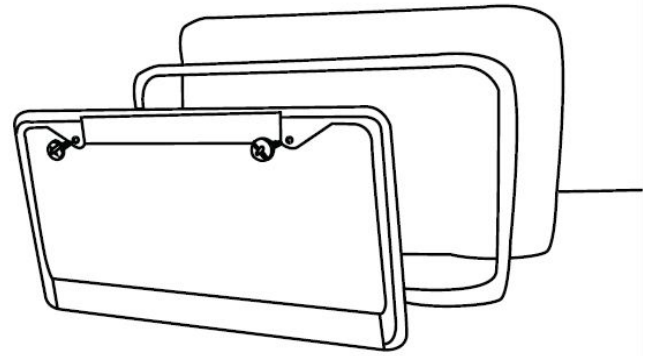
- Front End Mask (1)
- Squarehead Retainer (2)
- Snap Screw (2)
- Installation Instructions (1)



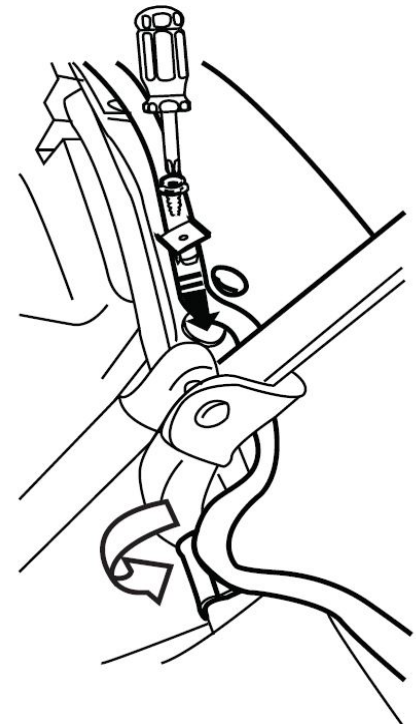
\*\*\*NOTE: MAY REQUIRE MINOR ADJUSTMENT AFTER DRIVING AT EXCESSIVE SPEED FOR OPTIMAL APPEARANCE\*\*\*

Installing the Front End Cover

1. Unscrew and remove both the license plate and license plate bracket (if applicable). Reattach them when the installation of the mask is complete.



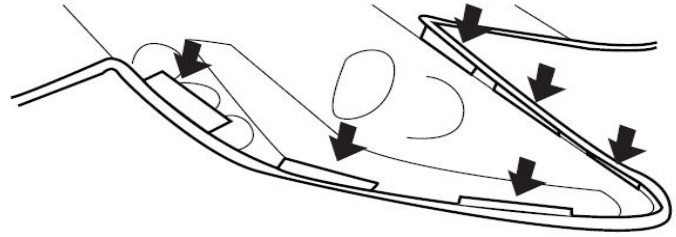
2. Remove retainers from upper fascia under the hood with trim tool. Replace with squarehead retainers. Install snap screws into the squarehead retainers. Snap the buttons on the front end mask onto the newly installed hardware.



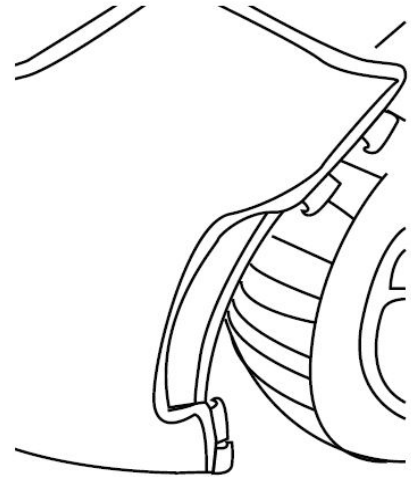
DATE	REVISION	AUTH	DR
20AU14	Initial Release - Jeffrey Yaich	2095708	

TITLE	<b>INSTALLATION INSTRUCTIONS Corvette Z06 Front End Cover</b>		
PART NO.	<b>23269639</b>	SHEET	<b>1</b> OF <b>6</b>

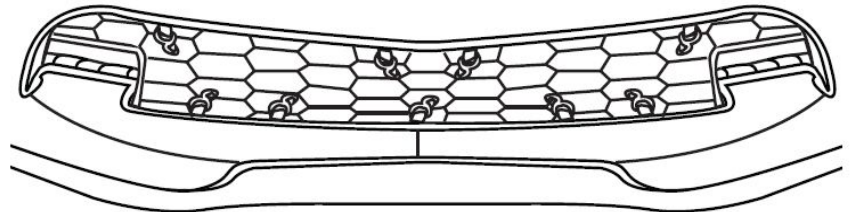
3. Tuck the pads into the gap under the headlights. Repeat on the other side.



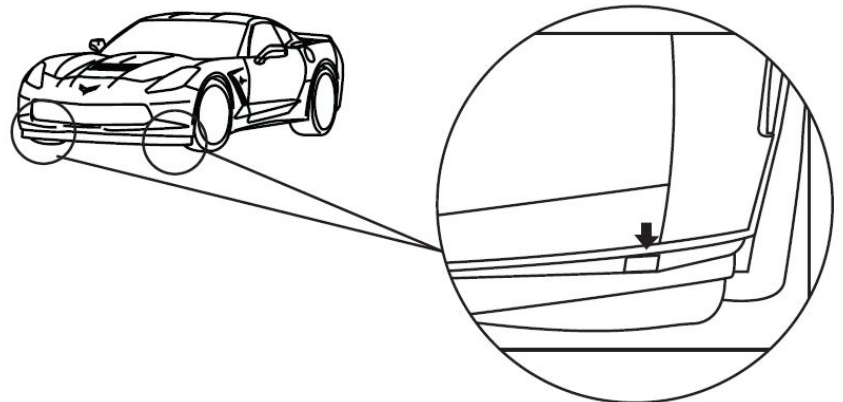
4. Attach the J-hooks to the edges of the wheel wells. Repeat on the other side.



5. Attach the hooks to the edge of the grille openings.
6. Attach J-hooks to the edge in the foglight recess. Repeat on the other side.



7. Tuck the tabs located on the bottom of the mask in between the bumper and plastic base.



**Corvette Z06 Front End Cover**

**IR 20AU14**

PART NO. **23269639**

SHEET **2** OF **6**

ALL INFORMATION WITHIN ABOVE BORDER TO BE PRINTED EXACTLY AS SHOWN ON 8.5 x 11 WHITE 16 POUND NON-BOND RECYCLABLE PAPER. PRINT ON BOTH SIDES, EXCLUDING TEMPLATES. TO BE UNITIZED IN ACCORDANCE WITH GM SPECIFICATIONS.

DATE	REVISION	AUTH	DR
20AU14	Initial Release - Jeffrey Yaich	2095708	

TITLE
<b>INSTALLATION INSTRUCTIONS</b> <b>Corvette Z06 Front End Cover</b>
PART NO. <b>23269639</b> SHEET <b>2</b> OF <b>6</b>

Antifaz - Chevrolet Corvette Z06

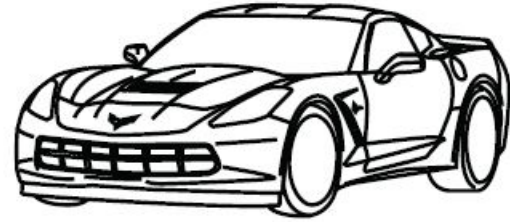
Contenido:

Antifaz (1)

Retenedores (2)

Tornillos (2)

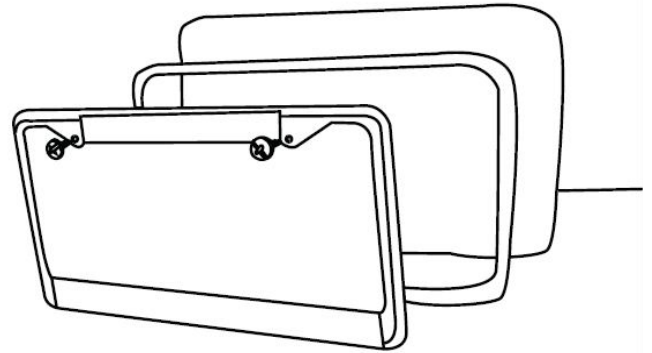
Instrucciones de Instalacion (1)



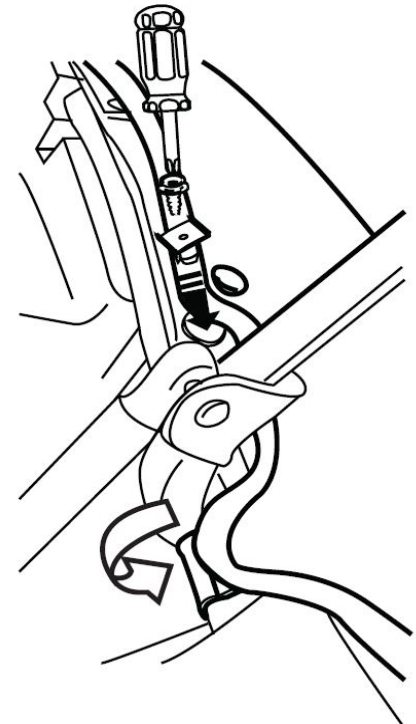
\*\*\*NOTA: PUEDE REQUERIR AJUSTE MENOR DESPUES DE CONDUCIR A UNA VELOCIDAD EXCESIVA PARA EL ASPECTO OPTIMA\*\*\*

Para Instalar el Antifaz

1. Destornille y quite tanto la matricula y el marco de la matricula (Si aplica). Adjuntalos cuando se complete la instalaci3n del antifaz.

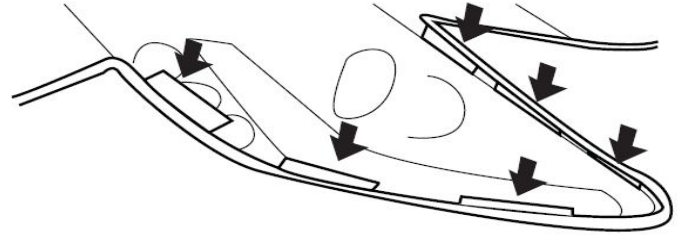


2. Retire los retenes de la fascia superior debajo de la capucha con herramienta de corte. Reemplazar con retenedores Squarehead. Instalar complemento tornillos en los retenedores Squarehead. Ajustar los botones la m3scara de extremo frontal en el hardware reci3n instalado. Entonces, instalar ganchos sobre el borde de la campana apertura.

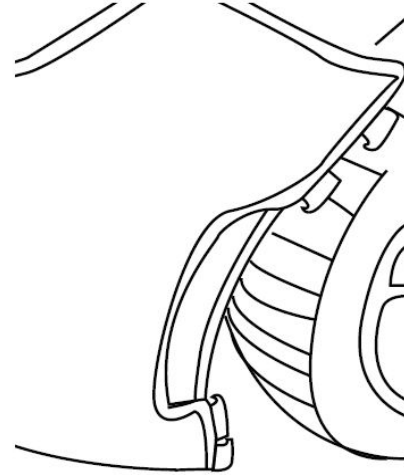


DATE	REVISION	AUTH	DR
20AU14	Initial Release - Jeffrey Yaich	2095708	

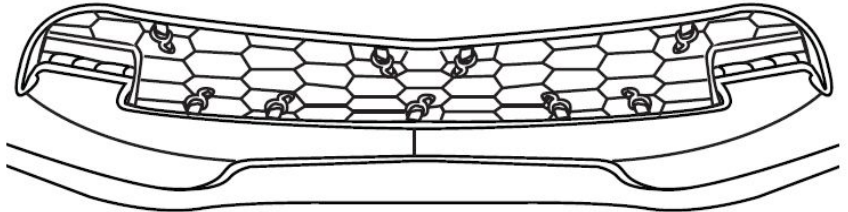
3. Inserte las almoadillas en el espacio en medio del faro y el frente del vehículo. Realice el mismo paso del otro lado.



4. Enganche los ganchos en los bordes del vehículo. Realice el mismo paso del otro lado.

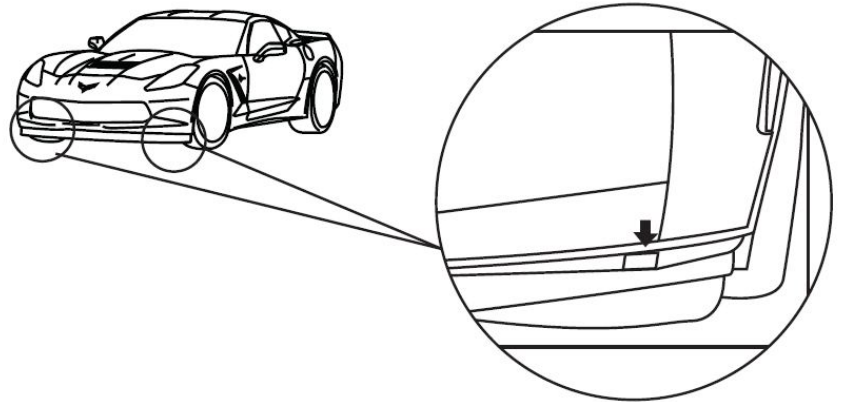


5. Enganche los ganchos a los bordes de la apertura de la parrilla.



6. Enganche los ganchos en el borde del hueco de la luz de niebla. Repita en el otro lado.

7. Cirugía estética de las pestañas situadas en la parte inferior del antifaz en entre el parachoques y la base de plástico.



Corvette Z06 Front End Cover

IR 20AU14

PART NO.

23269639

SHEET

4 OF 6

ALL INFORMATION WITHIN ABOVE BORDER TO BE PRINTED EXACTLY AS SHOWN ON 8.5 x 11 WHITE 16 POUND NON-BOND RECYCLABLE PAPER. PRINT ON BOTH SIDES, EXCLUDING TEMPLATES. TO BE UNITIZED IN ACCORDANCE WITH GM SPECIFICATIONS.

DATE	REVISION	AUTH	DR
20AU14	Initial Release - Jeffrey Yaich	2095708	

TITLE
INSTALLATION INSTRUCTIONS Corvette Z06 Front End Cover
PART NO. 23269639
SHEET 4 OF 6

Masque Frontal - Chevrolet Corvette C7

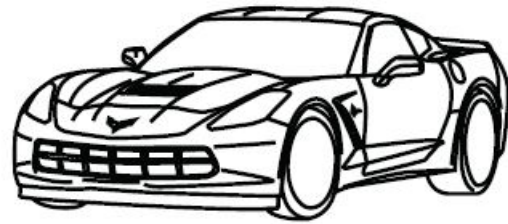
Contents:

Masque Frontal (1)

Retenue (2)

Aligner Vis (2)

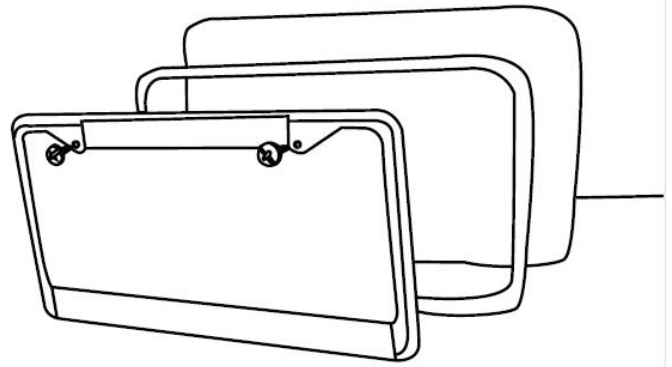
Instructions d'installation (1)



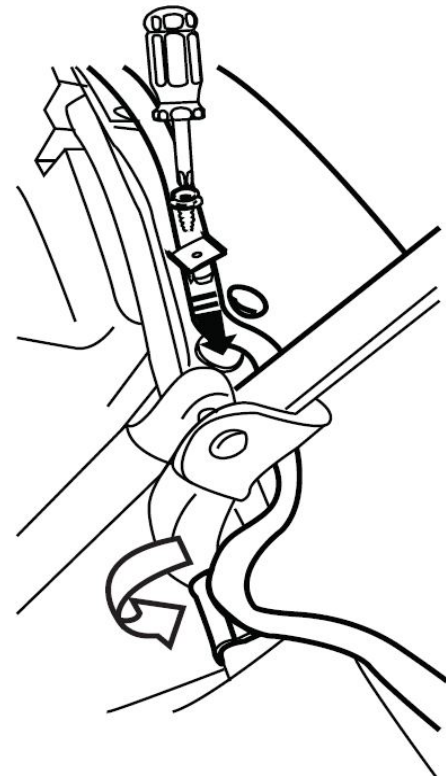
\*\*\*REMARQUE: peut necessiter une adaptation mineure apres de vitesse excessive POUR ASPECT OPTIMAL\*\*\*

Installation du masque frontal

1. Dévissez et retirez la fois la plaque d'immatriculation et le support de plaque (le cas échéant). Remettez-les lorsque l'installation du masque est terminée.

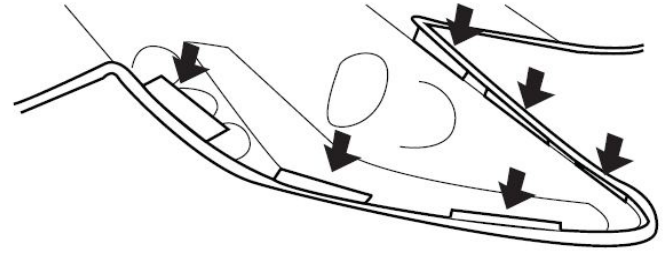


2. L'utilisation d'un tournevis cruciforme, retirez les rivets de façade supérieure sous le capot. Remplacer rivets avec retenue de Squarehead. Visser les vis se fixent sur les dispositifs de retenue, puis enclenchez les boutons sur le matériel nouvellement installé. Ensuite, installer les crochets sur le bord de l'ouverture du capot.

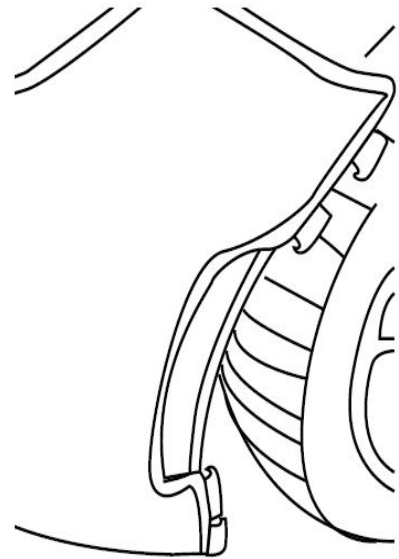


DATE	REVISION	AUTH	DR
20AU14	Initial Release - Jeffrey Yaich	2095708	

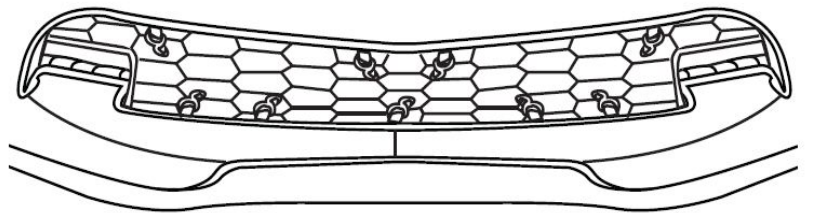
3. Rentez les tampons dans l'espace sous les phares.  
Répétez de l'autre côté.



4. Attacher les crochets sur le bord du passage de roue.  
Répétez de l'autre côté.

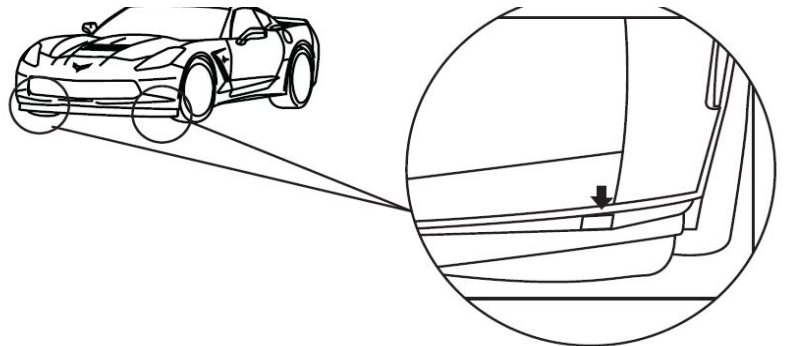


5. Attacher les crochets sur le bord de l'ouverture de la grille.



6. Attacher les crochets sur le bord de la cavité antibrouillard. Répéter l'opération sur l'autre cote.

7. Insérer les languettes situées sur le fond du masque entre le pare-chocs et la base en plastique.



Corvette Z06 Front End Cover

IR 20AU14

PART NO.

23269639

SHEET

6 OF 6

ALL INFORMATION WITHIN ABOVE BORDER TO BE PRINTED EXACTLY AS SHOWN ON 8.5 x 11 WHITE 16 POUND NON-BOND RECYCLABLE PAPER. PRINT ON BOTH SIDES, EXCLUDING TEMPLATES. TO BE UNITIZED IN ACCORDANCE WITH GM SPECIFICATIONS.

DATE	REVISION	AUTH	DR
20AU14	Initial Release - Jeffrey Yaich	2095708	

TITLE		<b>INSTALLATION INSTRUCTIONS</b>	
		<b>Corvette Z06 Front End Cover</b>	
PART NO.	<b>23269639</b>	SHEET	<b>6 OF 6</b>