

Installation Instructions Part Number

23307912

Kit Contents

Qty	Description
1	Emblem Assembly Gold Bow Tie – Front Grille Illumination (P/N 23307910)
1	Harness Package
4	Tie Strap
1	Installation Instructions
OR	
1	Emblem Assembly Black Bow Tie – Front Grille Illumination (P/N 23385939)
1	Harness Package
4	Tie Strap
1	Emblem Assembly Black Bow tie – Endgate
1	Solvent Package
1	Installation Instructions

Required / Recommended Tools

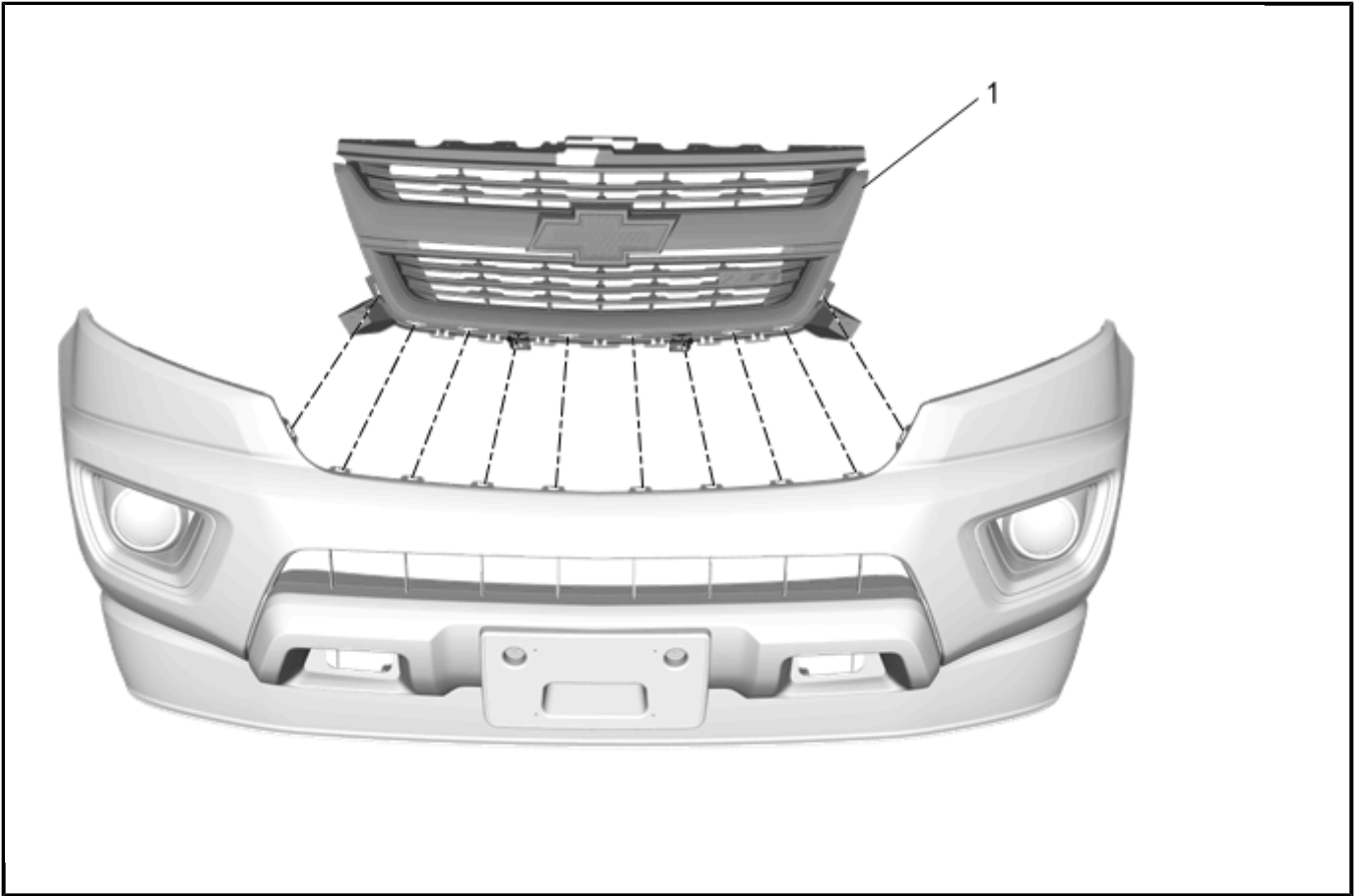
Drill Motor

12.7 mm Drill Bit

Heat Gun or Equivalent

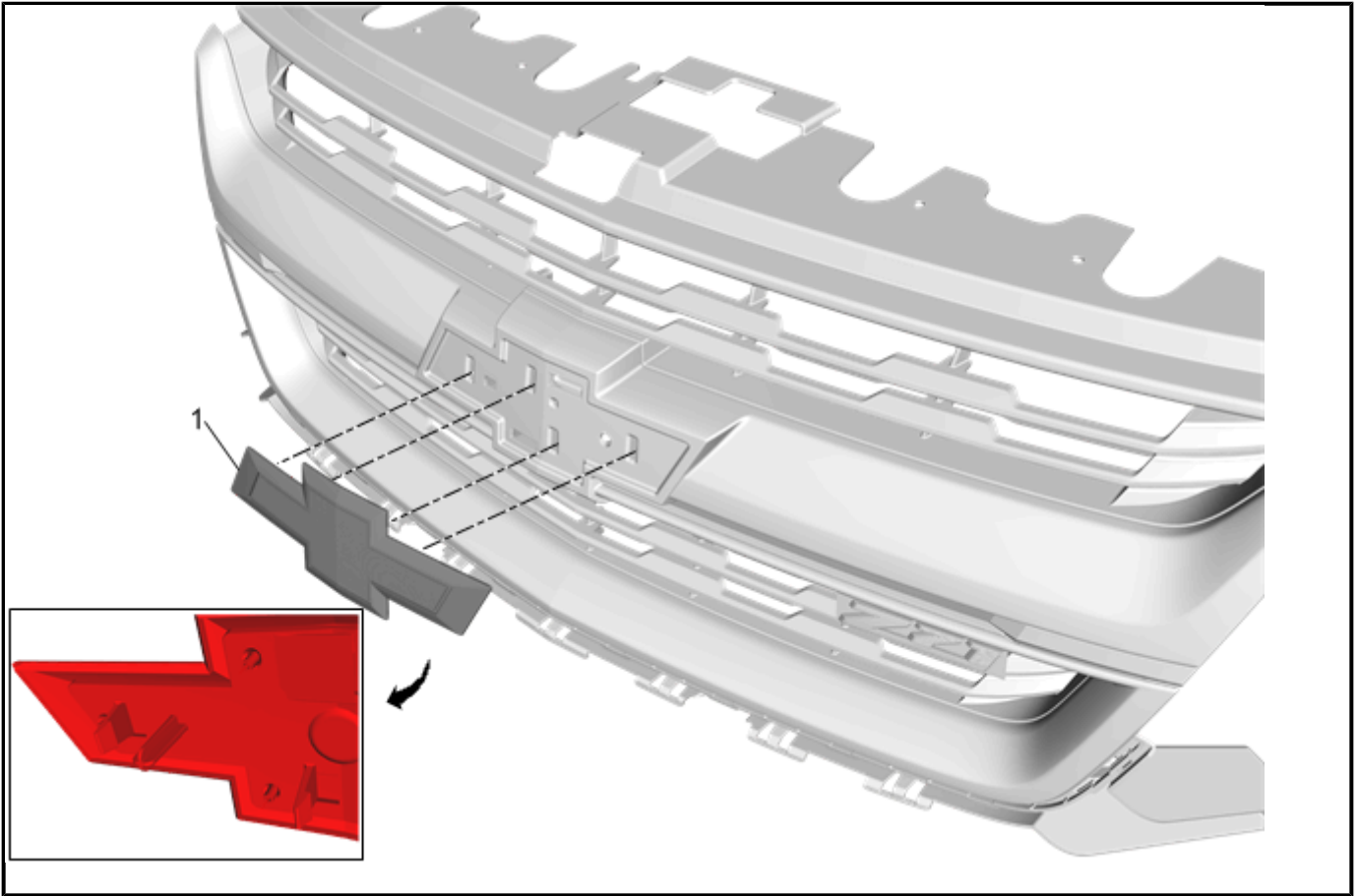
Procedure

1. **Front Bow Tie Emblem Replacement** Read all instructions before performing procedure.
2. Inspect kit to verify all parts are included.
3. Turn off the vehicle.
4. Open the hood.



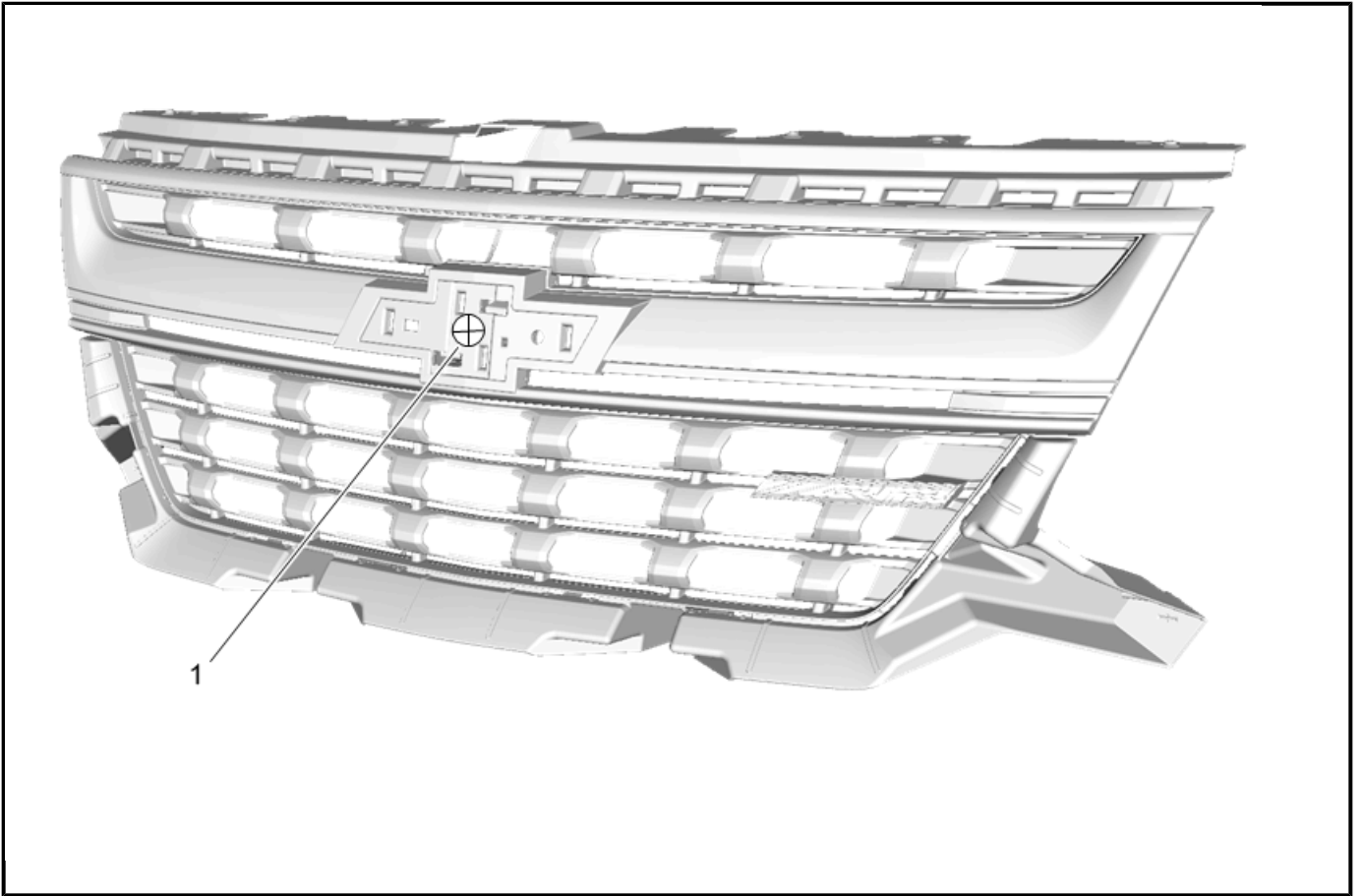
4165092

5. Remove the front upper grille (1). Refer to [Front Bumper Fascia Replacement](#).
6. Disconnect fog lamp connectors.



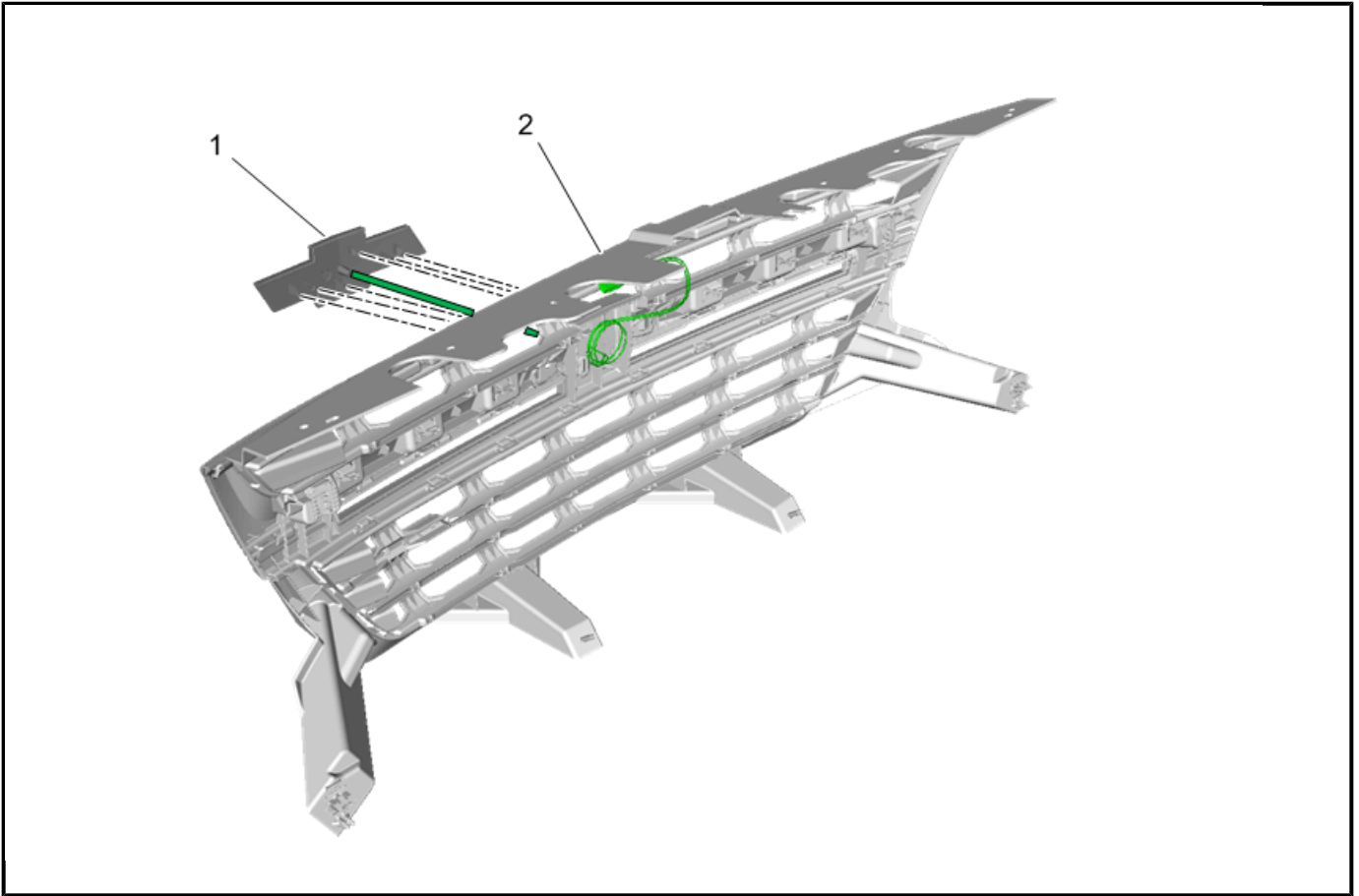
3776856

7. Using a suitable flat-bladed tool, release the 4 locking tabs and remove the front grille emblem (1) from the front upper grille.



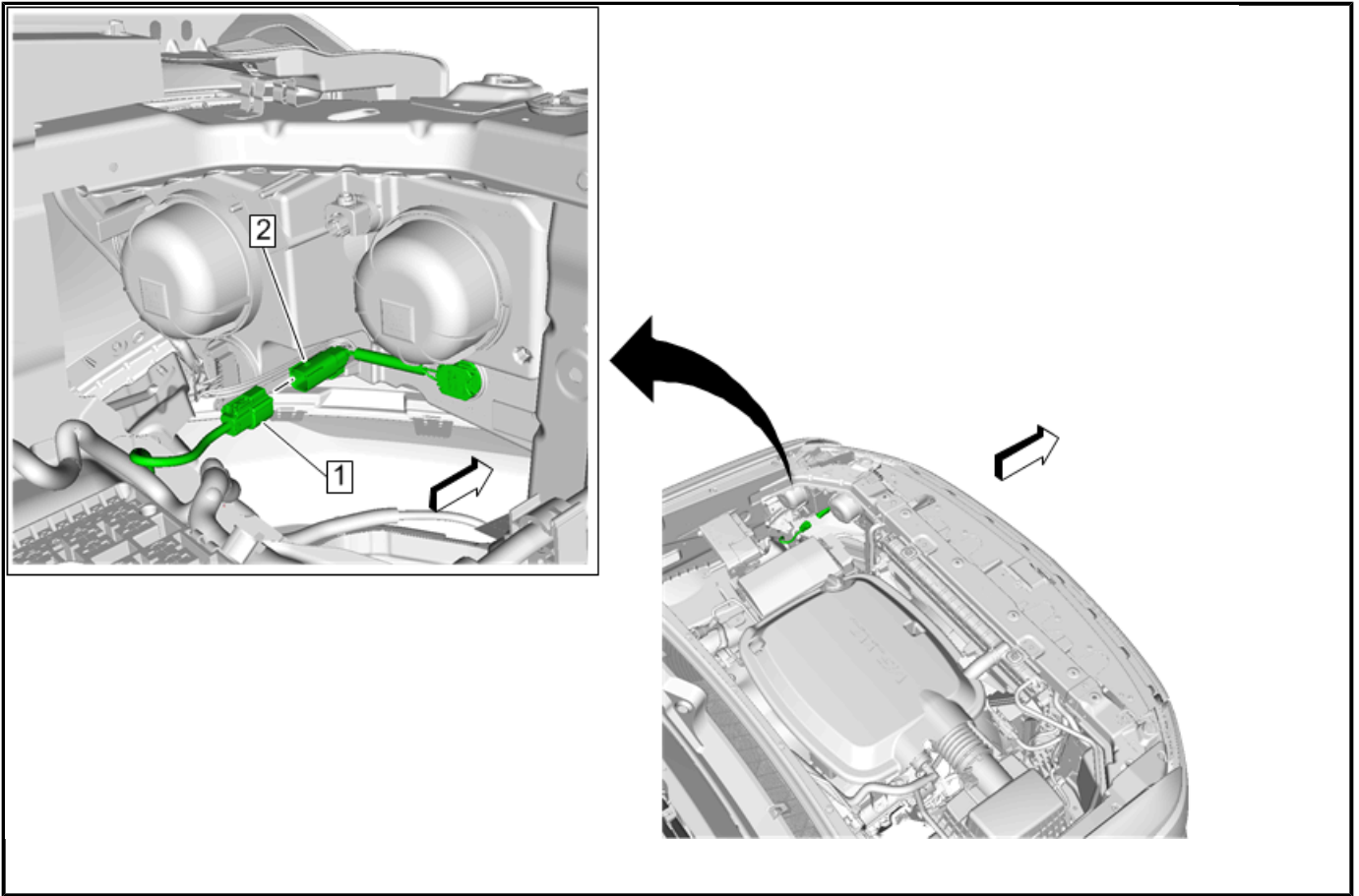
4427539

8. Using a 12.7 mm drill bit, drill a hole in the center (1) on the front upper grille.



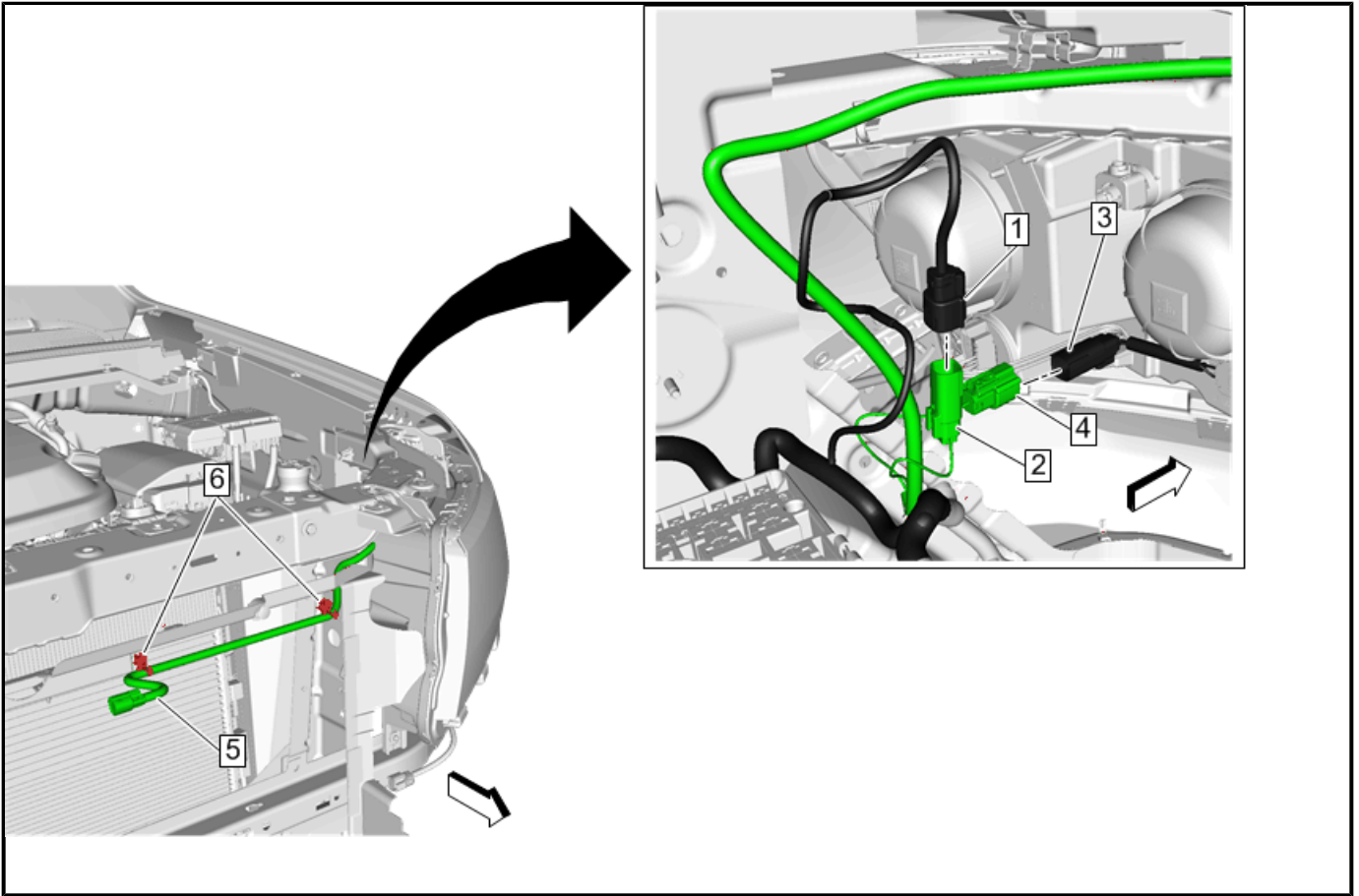
4427543

9. Install the illuminated emblem from kit (1) to the grille (2) by engaging the retaining tabs on the backside.
Note: If emblem does not snap into place, enlarge the drilled hole.



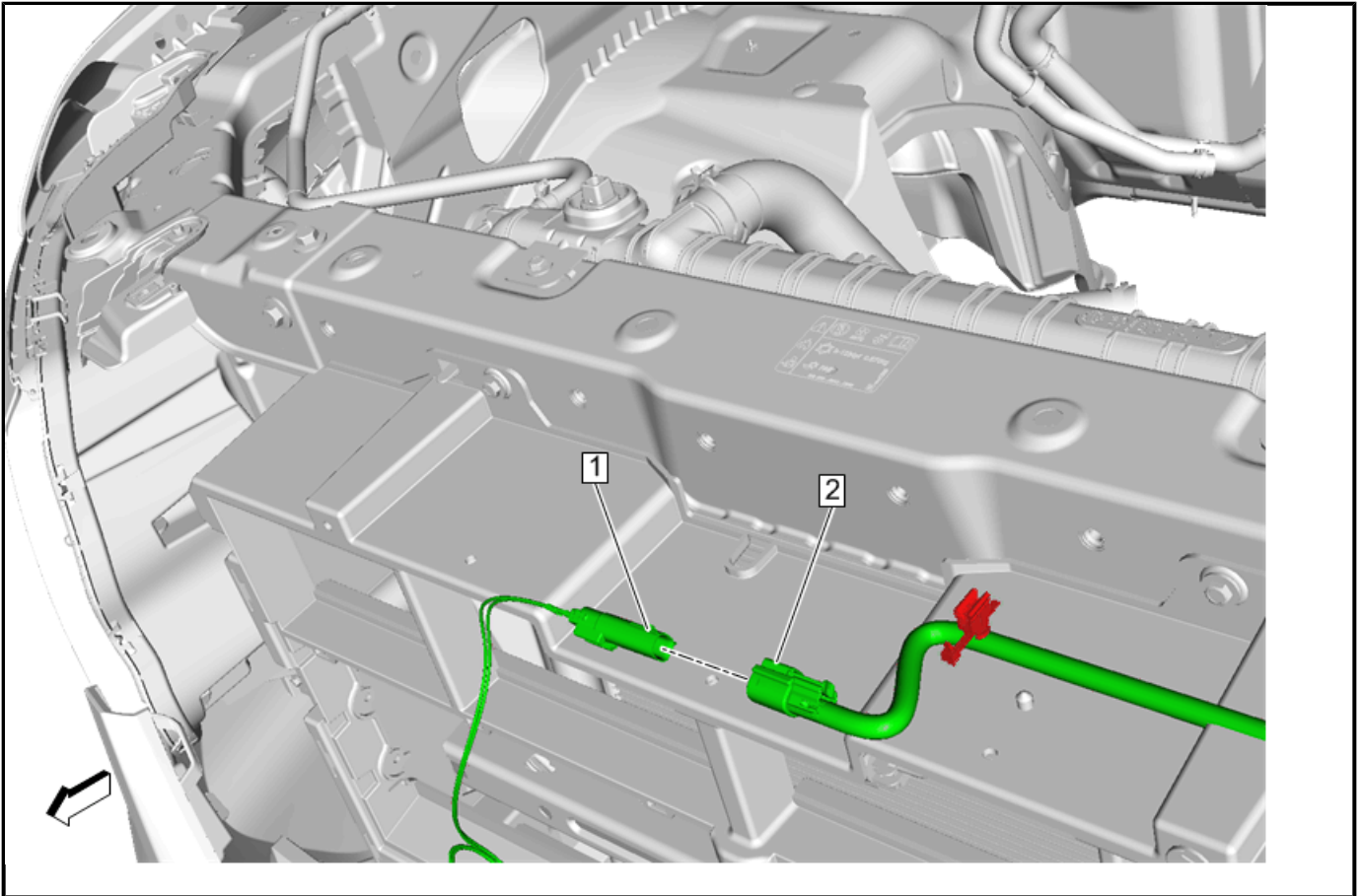
4427548

10. Disconnect the forward lamp lighting harness (1) from the driver side headlamp (2).



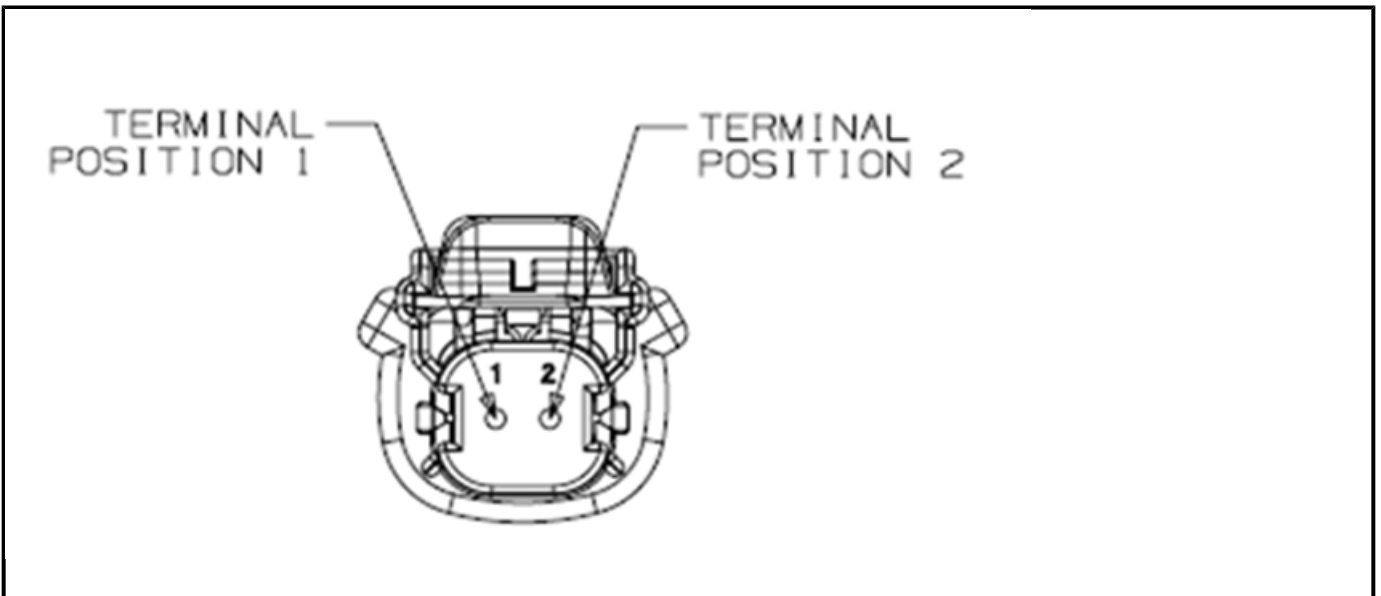
4427555

11. Connect the jumper harness connector (4) to driver side headlamp (3).
12. Connect the previously disconnected forward lamp lighting harness (1) to the jumper harness connector (2).
13. Route accessory harness bundle (5) between washer bottle and headlamp, then route underneath upper tie bar. Use tie straps (6) provided.



4427560

14. Connect the accessory harness (2) to the illuminated emblem (1).

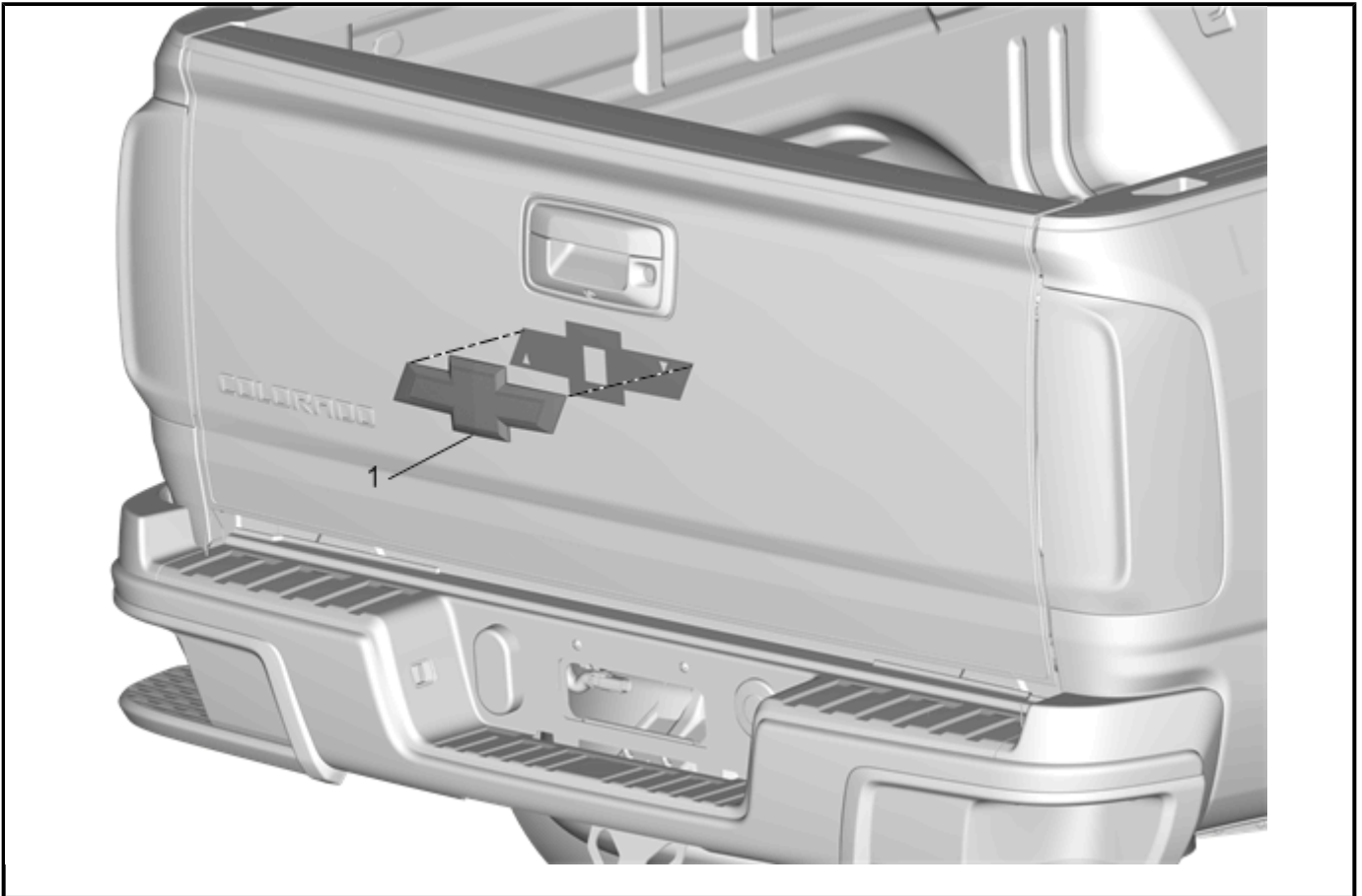


4620134

Note: White wire goes in Cavity 1 and the BLACK wire into Cavity 2 (on the harness side the wire is PURPLE or VIOLET).

15. Install the front upper grille. Refer to [Front Bumper Fascia Replacement](#).
16. Connect the fog lamp connectors.
17. Test and confirm front lighting operation (headlamp and fog lamp).

Rear Bow Tie Emblem Replacement



3767467

1. Mark position of production emblem with a washable marker or masking tape prior to removal.
2. The part surface should be 21°C (70°F) prior to installation. The vehicle should remain 21°C (70°F) for one hour after assembly to allow adhesive to develop sufficient bond strength.
3. Use a heat gun or equivalent to remove the liftgate emblem. Use a plastic flat bladed tool to assist in removal.
4. Clean any remaining residue with included solvent wipe or with a 50/50 mixture by volume of isopropyl alcohol and clean drinkable water. Wipe surface dry with a clean lint free towel.
5. When removing protective liners from the adhesive tape, be careful no to touch tape with hands and do not allow tape to come in contact with dirt or any foreign matter prior to adhesion.
6. Position new black emblem (1) carefully within reference marks and place on prepared surface.
7. Using the palm of the hand, wet out the emblem to ensure full adhesion is achieved.