

Document ID: 4061755**Front Floor Illumination Lamp Package Installation****Installation Instructions Part Number**

23432811

Cup holder Lighting Kit Contents

Qty	GM P/N	Description
1	23432813	Interior Lamp Control Module
1	23217169	Front Floor Console Compartment Lamp Assembly
1	23217168	Front Floor Courtesy Lamp Assembly
1	23217167	Front Floor Console Accessory Wire Harness
1	23176247	Front Floor Illumination Lamp Attachment Package
16	-	4" Wire Ties
10	-	Foam Pads
1	-	Lens Kit, Snap in Type
1	19244292	Front Floor Illumination Lamp Attachment Package
4	-	#4 Phillips Panhead Self Tapping Screw
1	23450358	Front Floor Console Accessory Wire Harness
1	23432812	Interior Lamp & Multi Function Switch
1	23432811	Installation Instruction

Qty	GM P/N	Description
1	23432814	Owners Information Manual
3	19300089	Sealed Crimp Splice Kit

Recommended Tools

- Plastic Trim Removal Tool
- Drill with 1/8", 5/16" drill bits
- Phillips Screwdriver

Installation Sequence

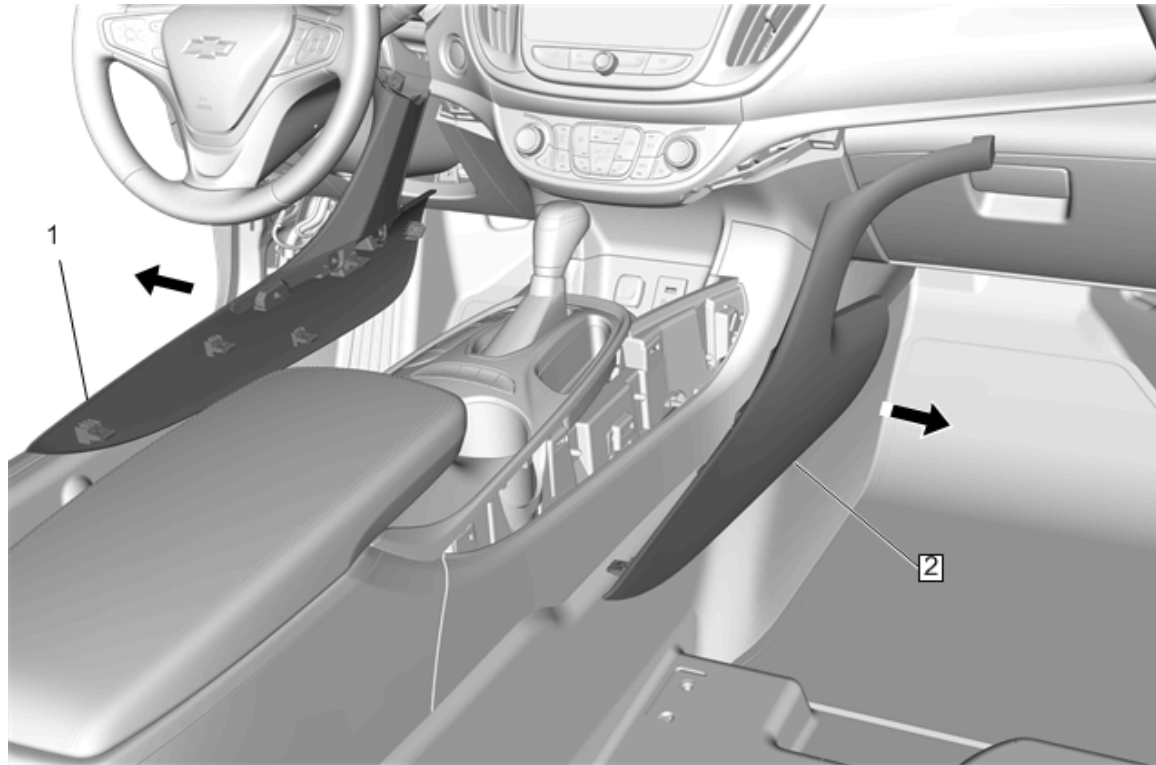
Note: Please review the entire procedure before trying to perform it.

Note: Inspect kit to verify all parts are included.

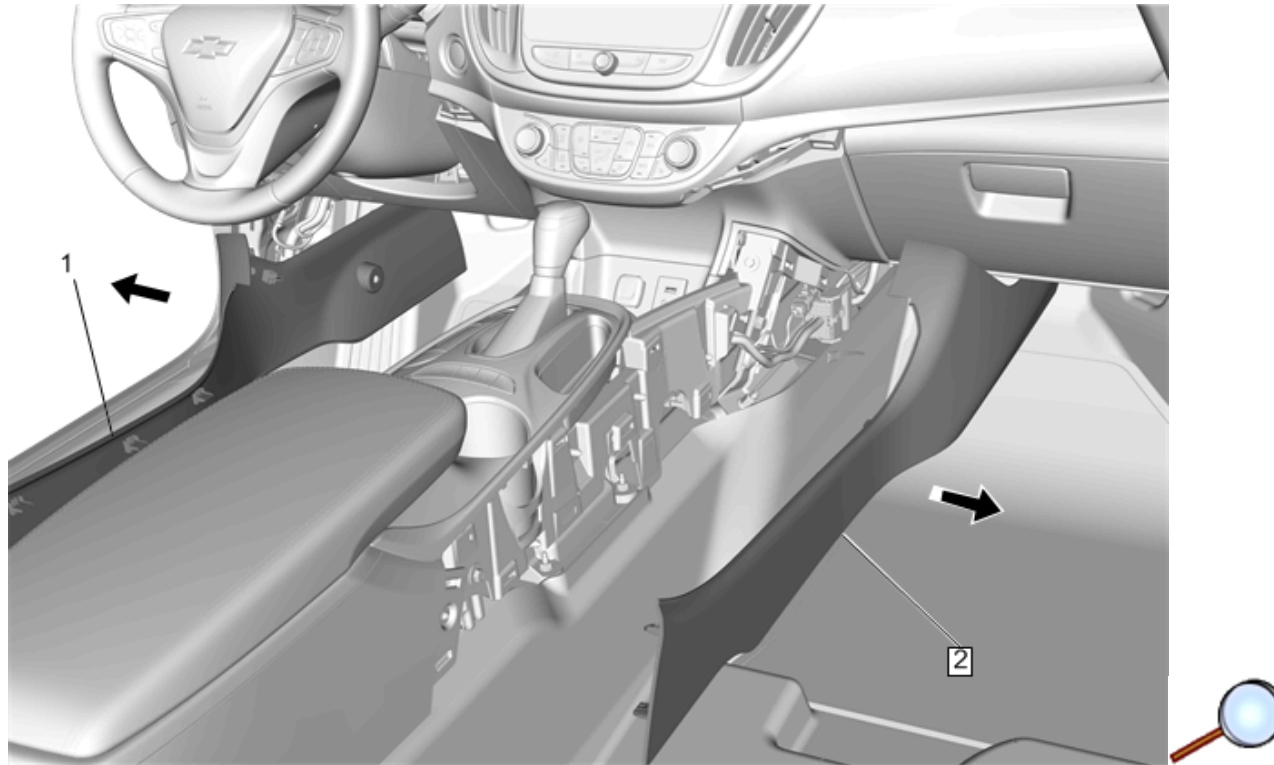
Note: After safety mandated preparatory steps have been taken, the installation sequence is the suggested method for completing the accessory installation. In some instances, the suggested sequence is written for one associate to install and in others the sequence is given as part of a team accessory installation. Unless otherwise stated in the document, the associates may perform the installation steps in any order to make the installation as efficient as possible while maintaining consistent quality.

Procedure

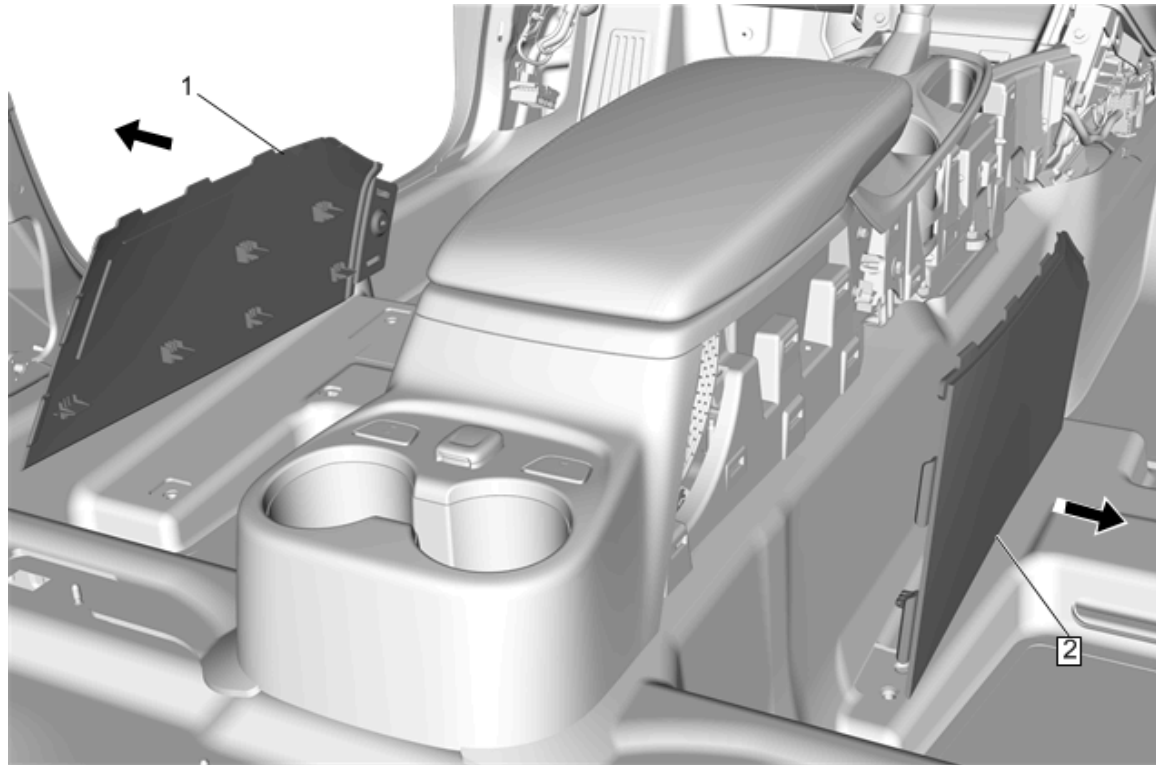
1. Turn off vehicle.
2. Remove the Left and Right front seats. Refer to Vehicle Service Manual.



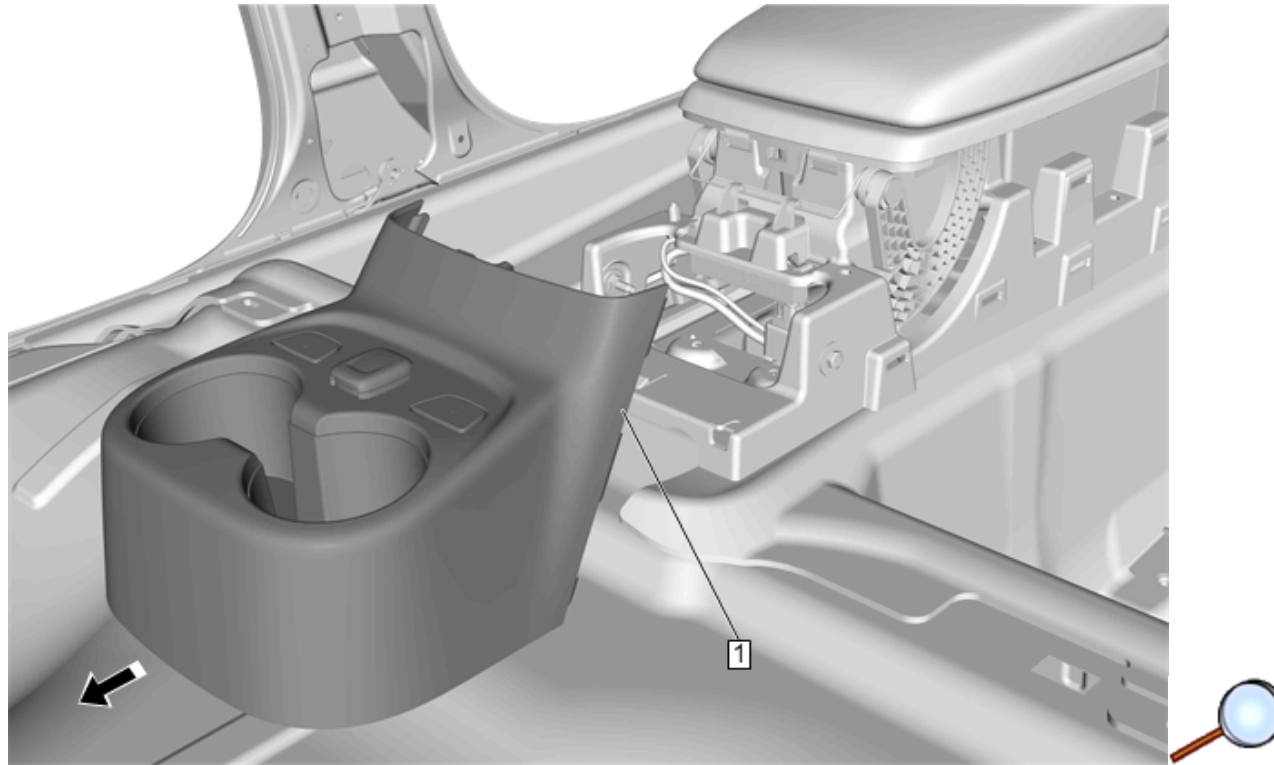
3. Remove the left (1) and right (2) front floor console applique panels. Refer to Vehicle Service Manual.



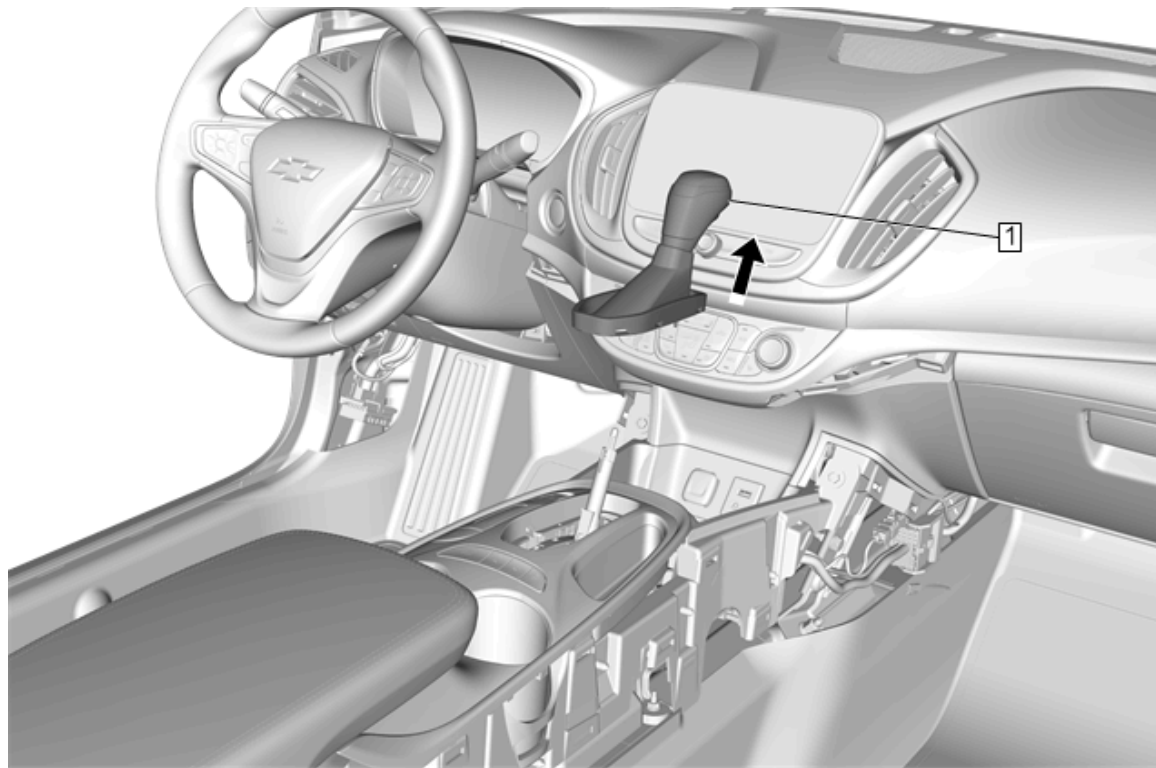
4. Remove the left (1) and right (2) front floor console extension panels. Refer to Vehicle Service Manual.



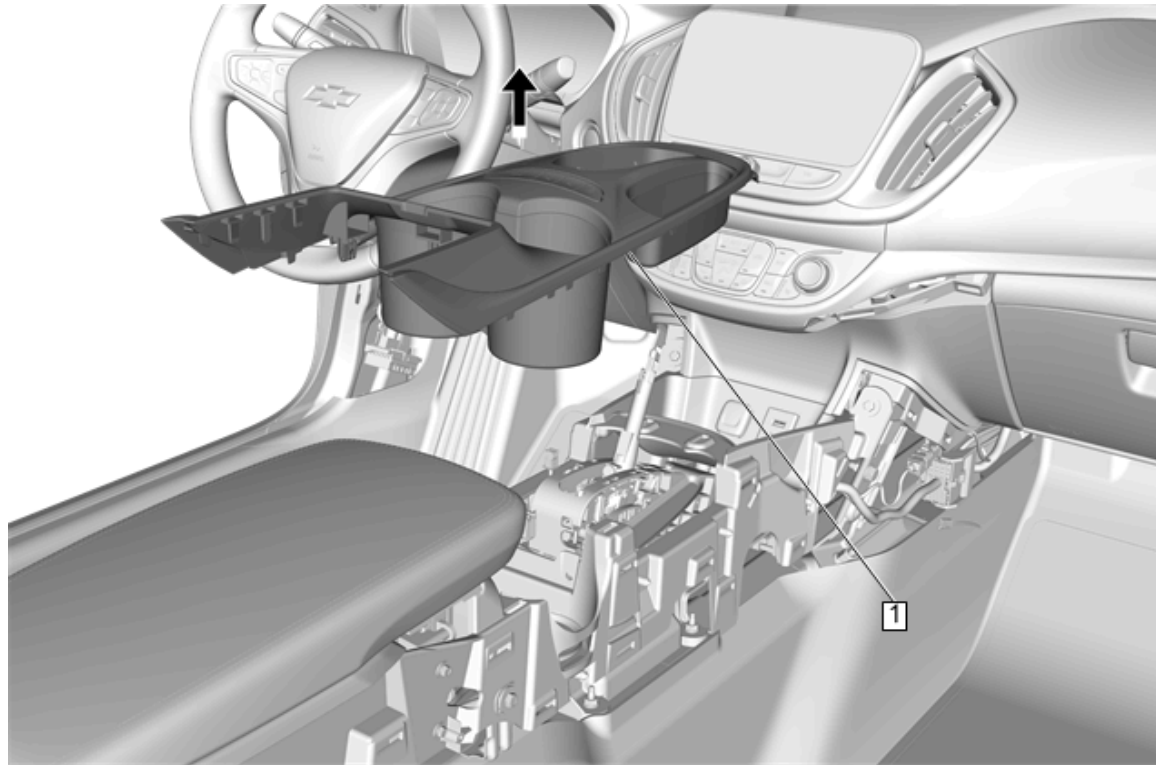
5. Remove the left (1) and right (2) front floor rear console side trim panels. Refer to Vehicle Service Manual.



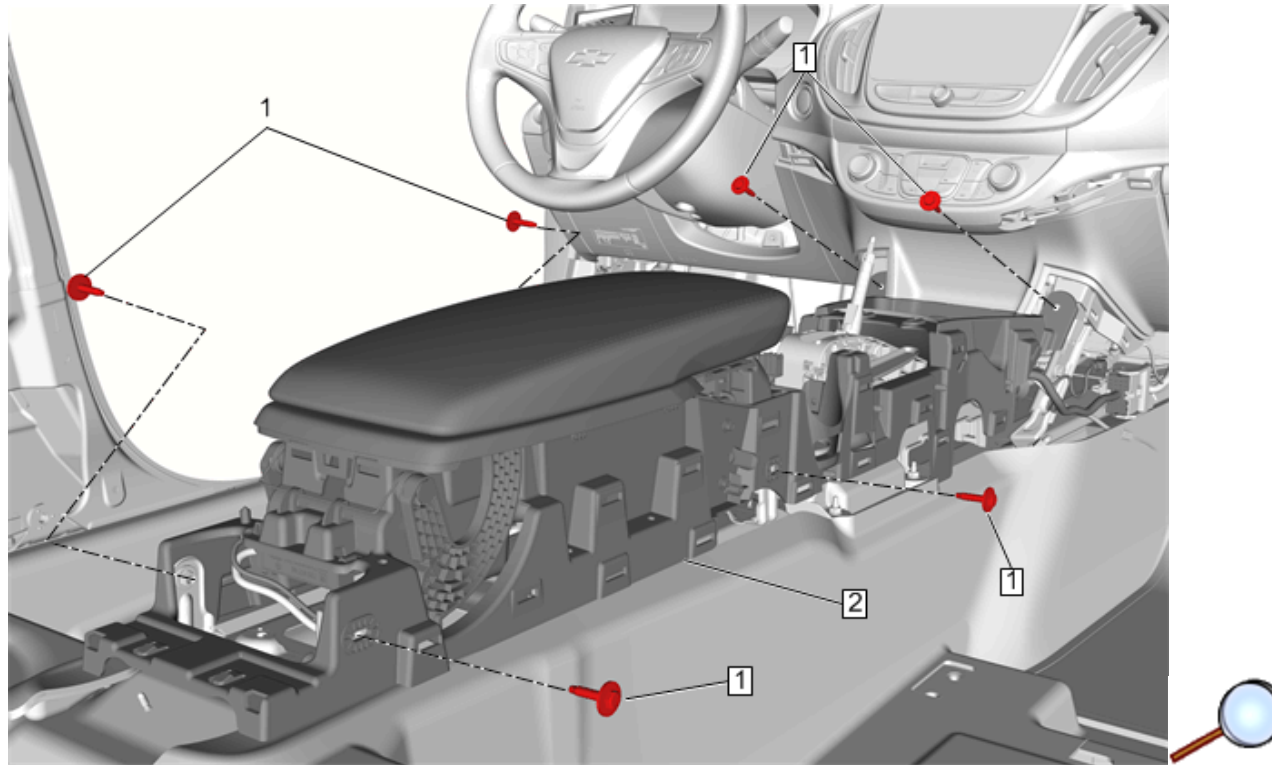
6. Remove front floor console rear cup holder assembly (1). Refer to Vehicle Service Manual.



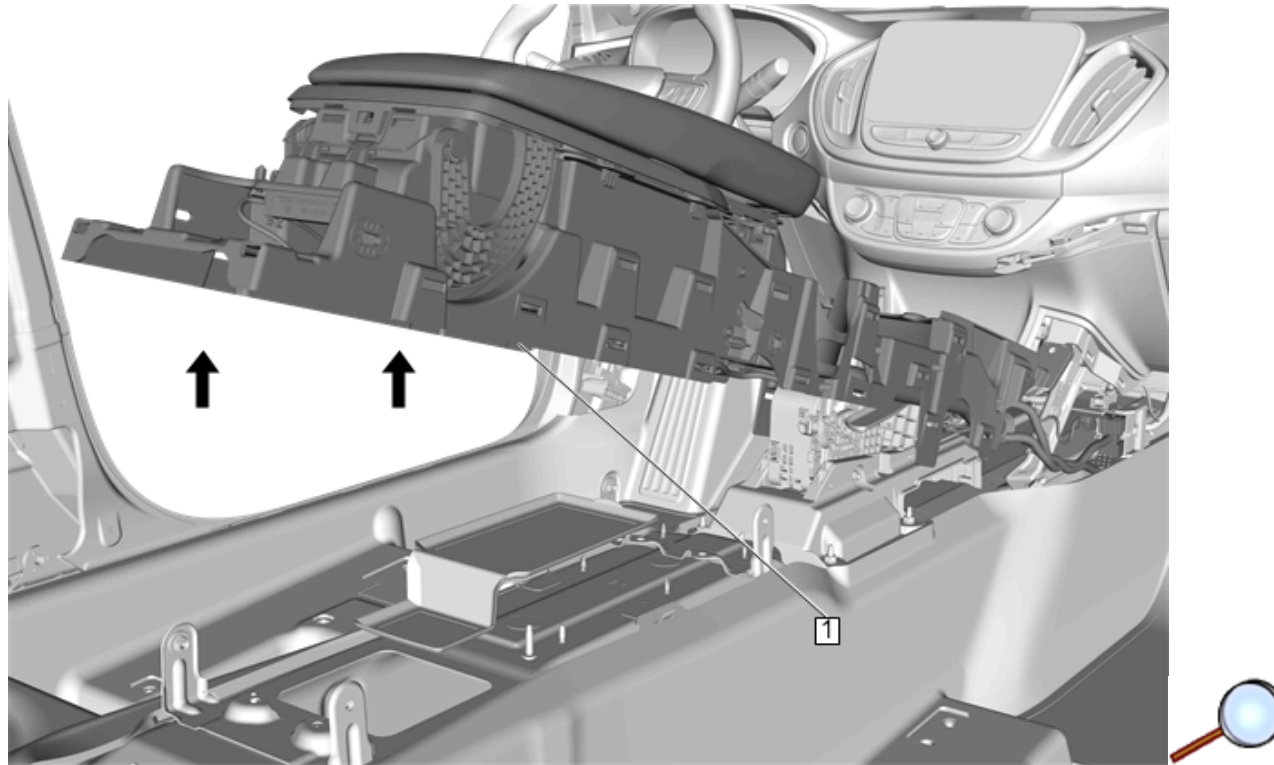
7. Remove the transmission shift control knob (1). Refer to Vehicle Service Manual.



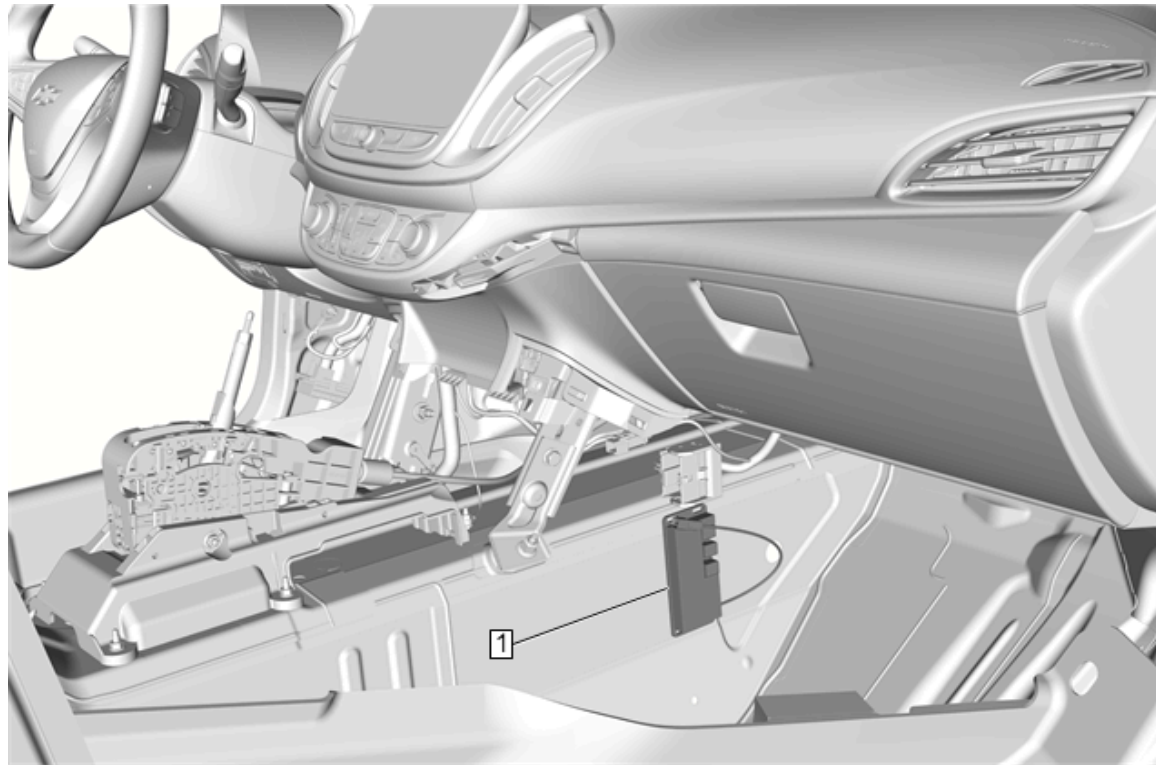
8. Remove the front floor console trim plate (1). Refer to Vehicle Service Manual.



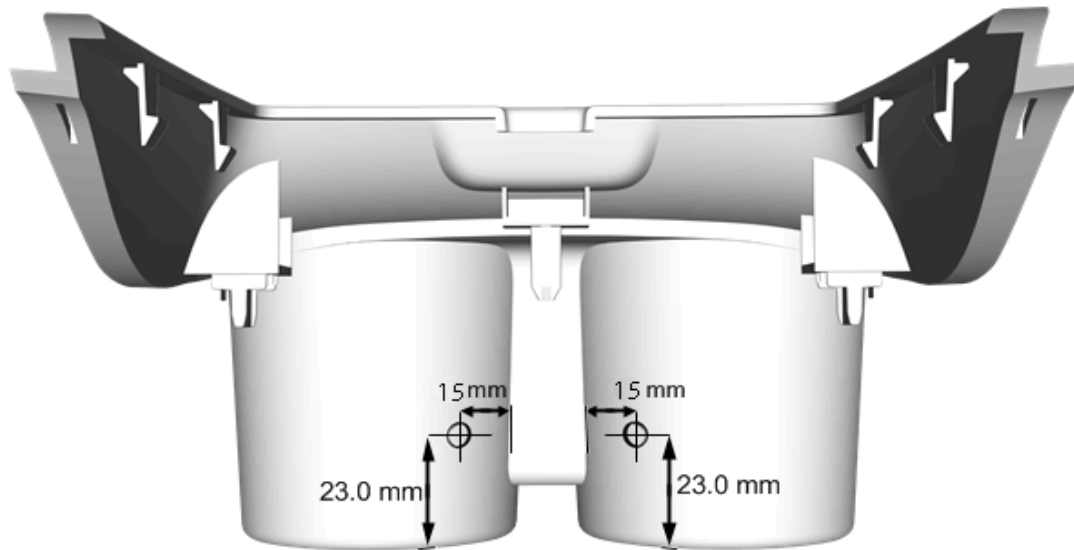
9. Remove the six bolts (1) from the front floor console (2).



10. Prop back of console (1) up to access wiring harness underside.



11. Pull carpet back on passenger side. Mount ambient lighting module (1) by removing sticky tape covering and mount module in location shown.



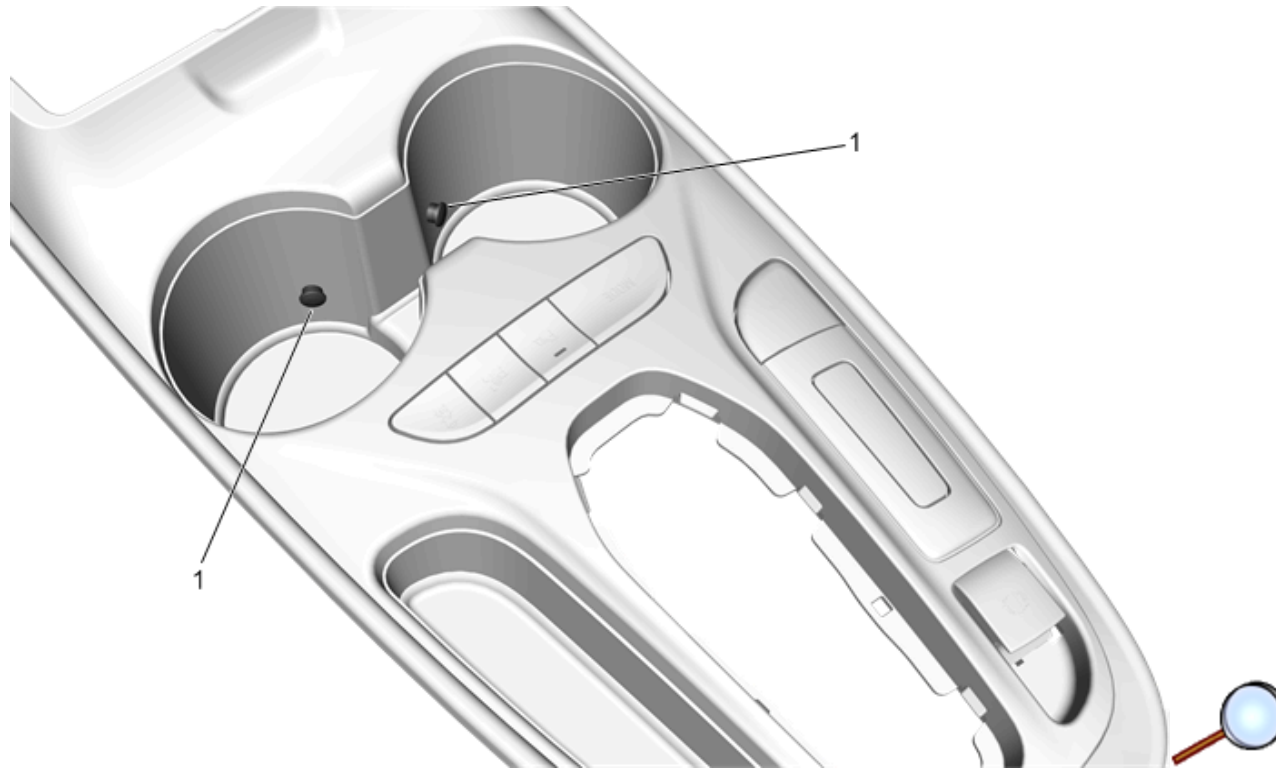
12. One LED will be mounted in the side-wall of both cups and will be located approximately in the seven o' clock position of each cup.

Caution: Always check scale, size and position of all templates before drilling. Failing to do so may cause damage to the vehicle, misalignment of components or the inability to install the accessory.

13. Measure and locate holes according to dimensions as noted.

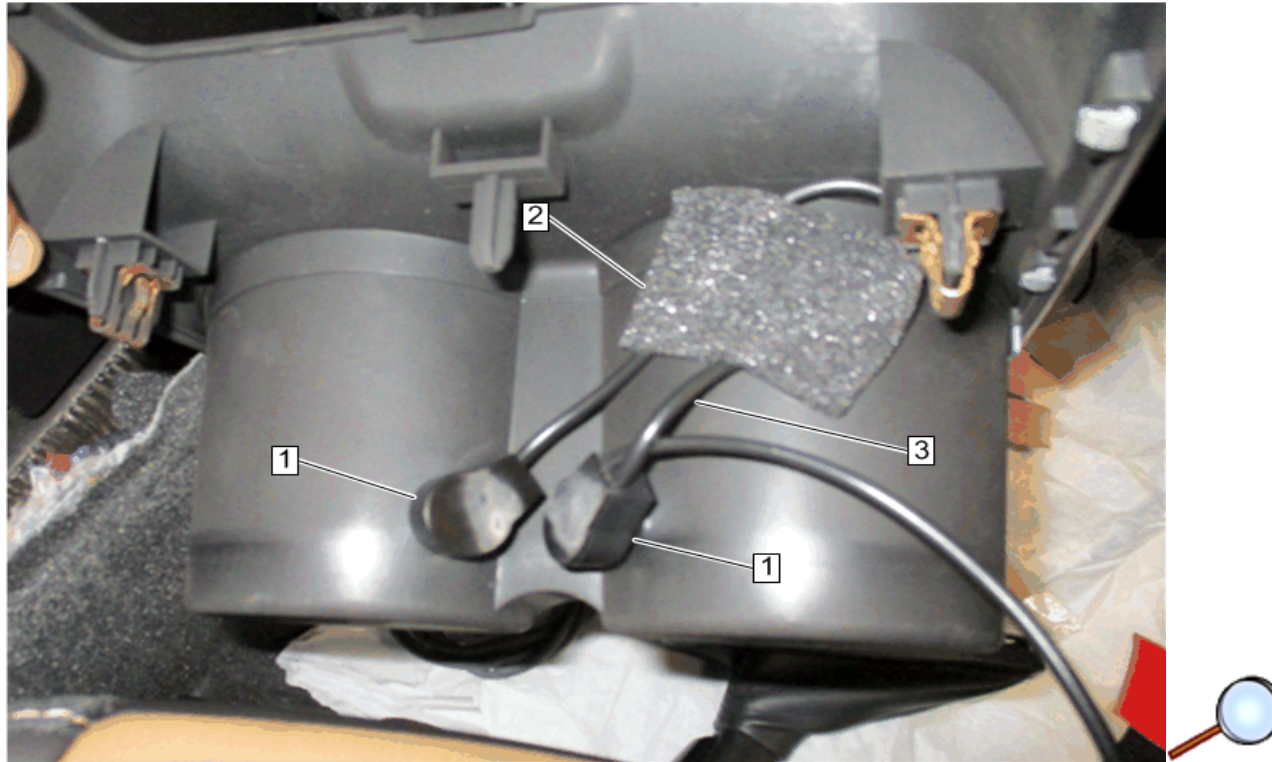
14. Drill pilot holes using a 1/8" drill bit. Drill final holes using a 5/16" drill bit.

Note: Use caution not to oversize holes.

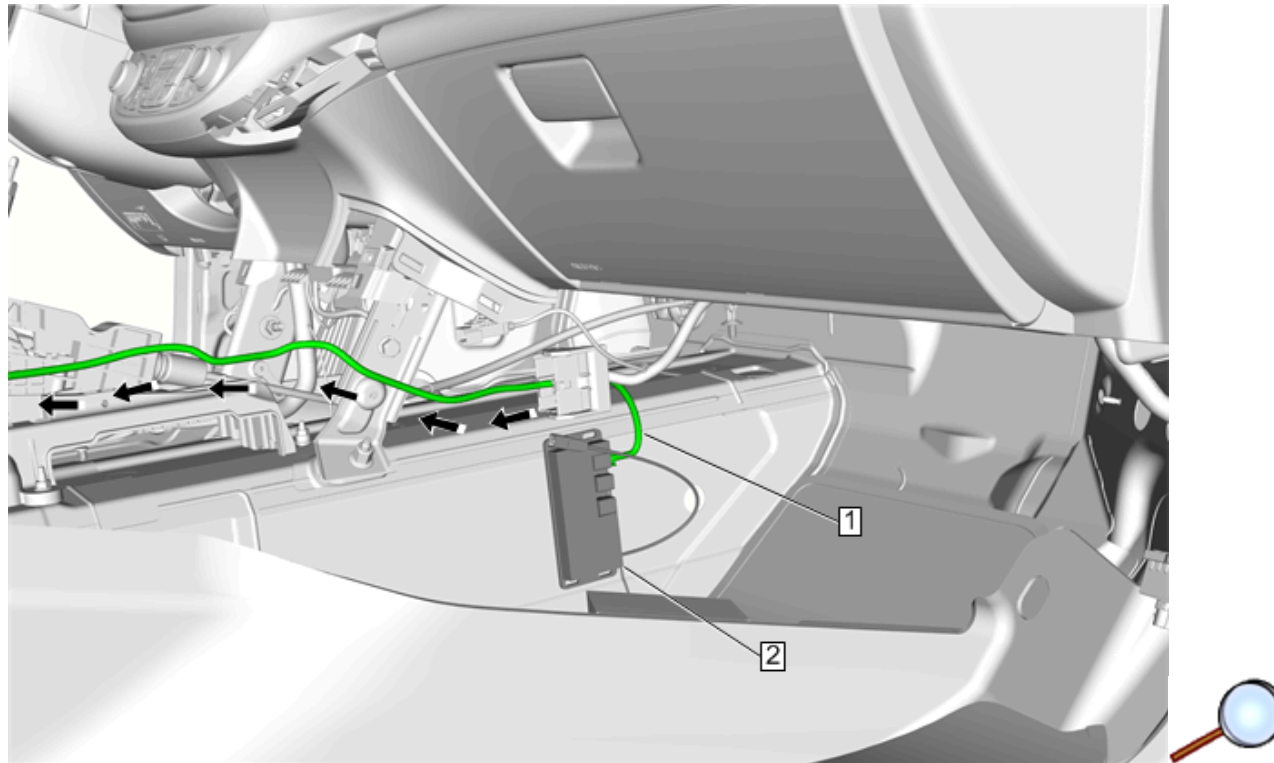


15. From inside the cup holder, insert a lens (1) through the drilled holes.

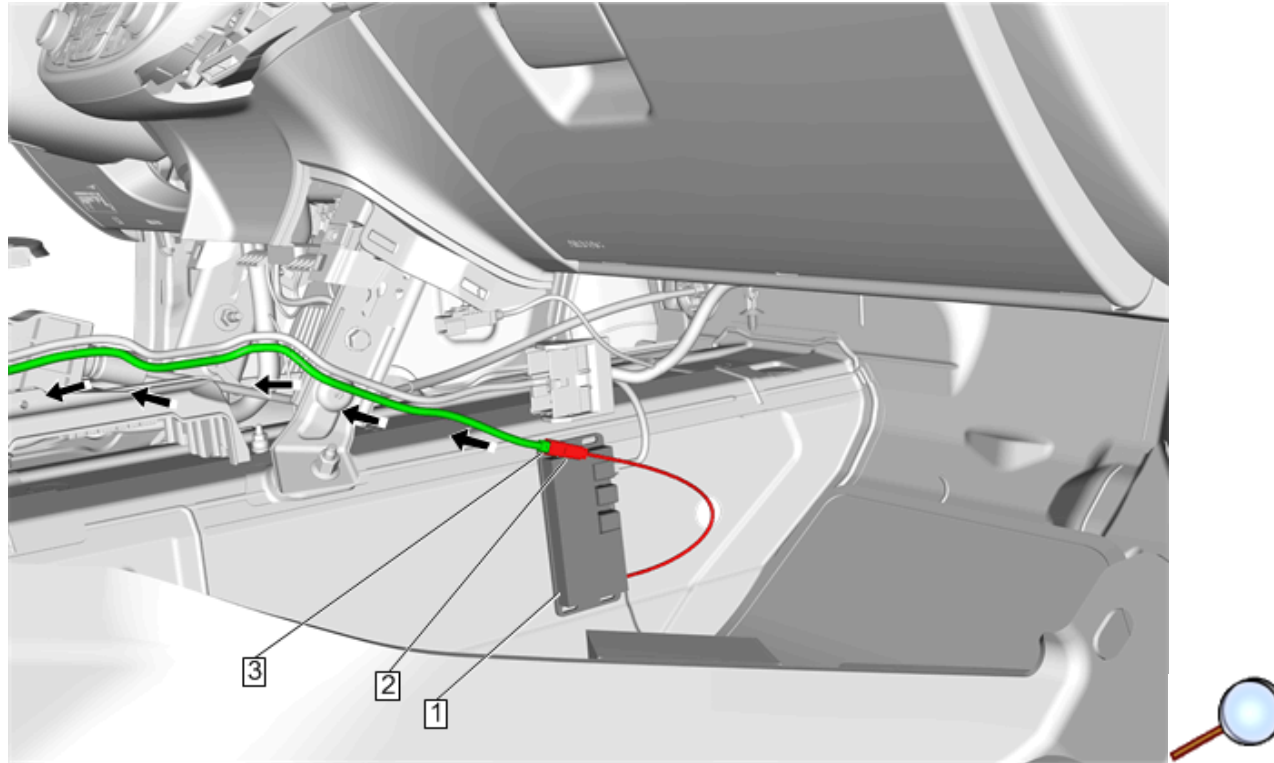
Note: Use silicon to seal hole (w/lens).



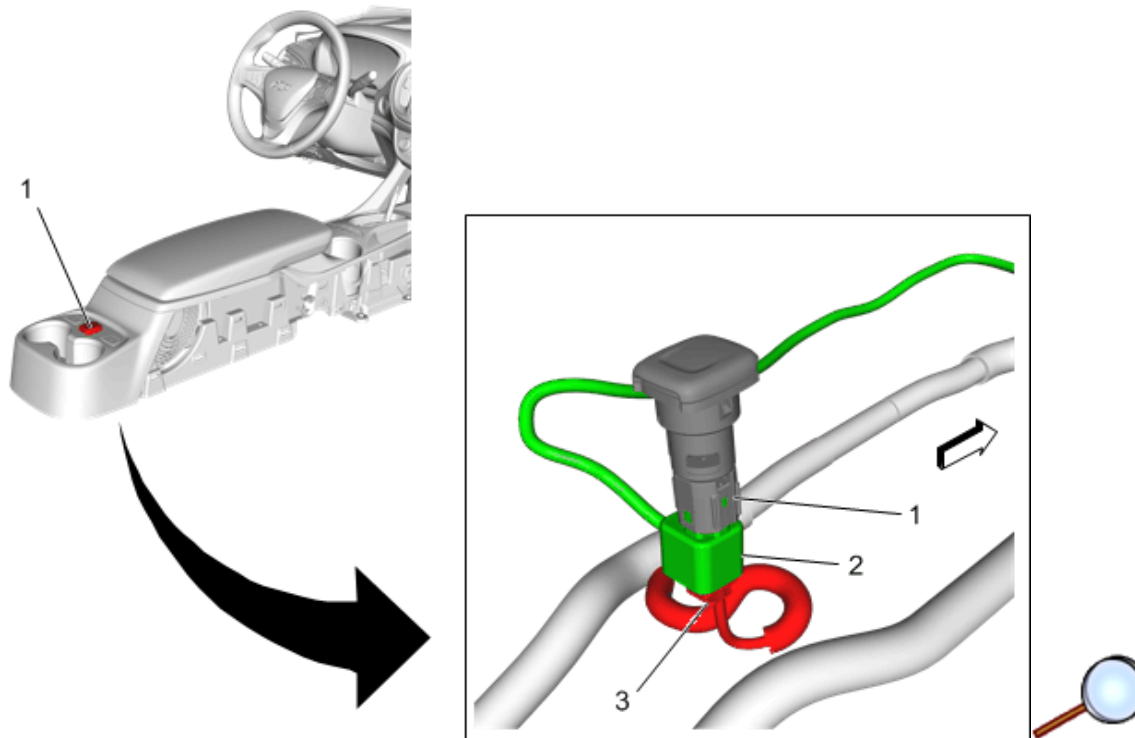
16. From the outside of the cup holder, install the LED's (1) onto the lenses. Turn the LED while holding the lens from the inside. LED's should firmly seat to the cup holder.
17. Use adhesive pads (2) to secure the wiring harness (3) to the outside of cup holder.



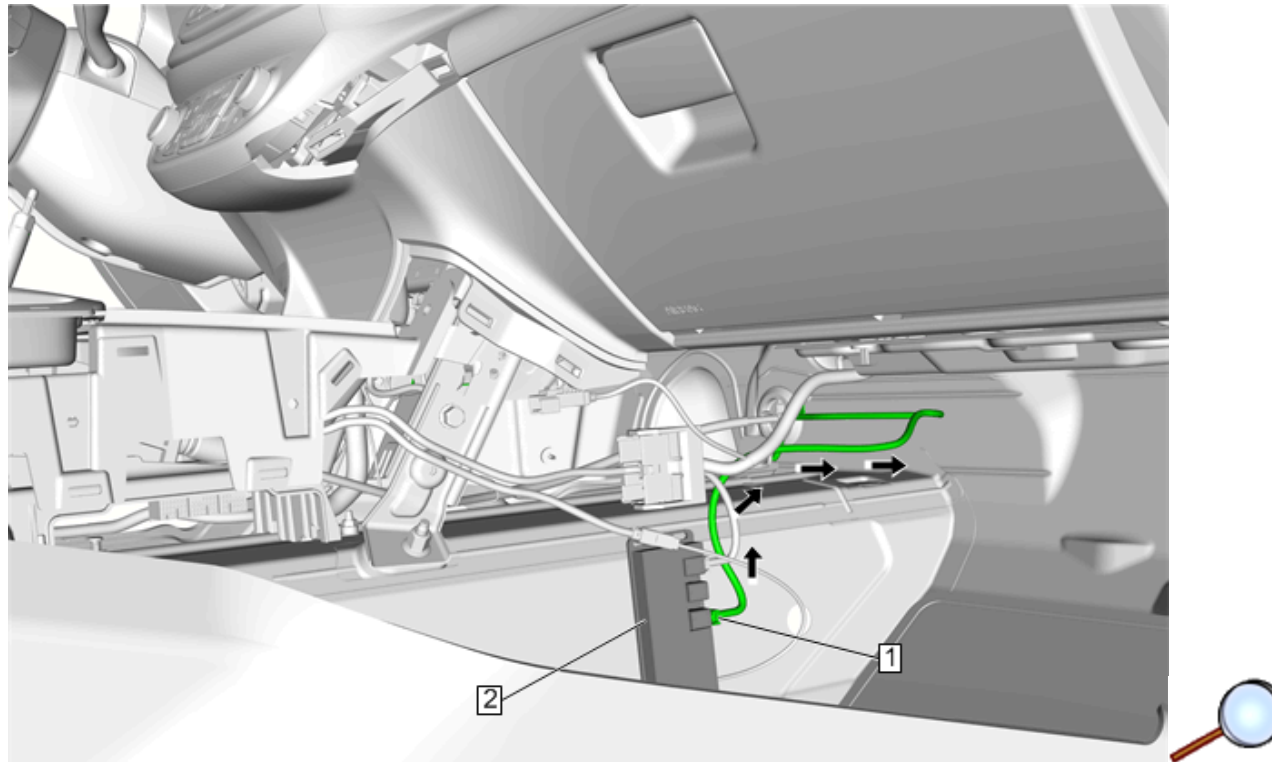
18. Connect cup holder accessory harness (1) P/N 23217169 to lamp module (2) and route harness to cup holders.



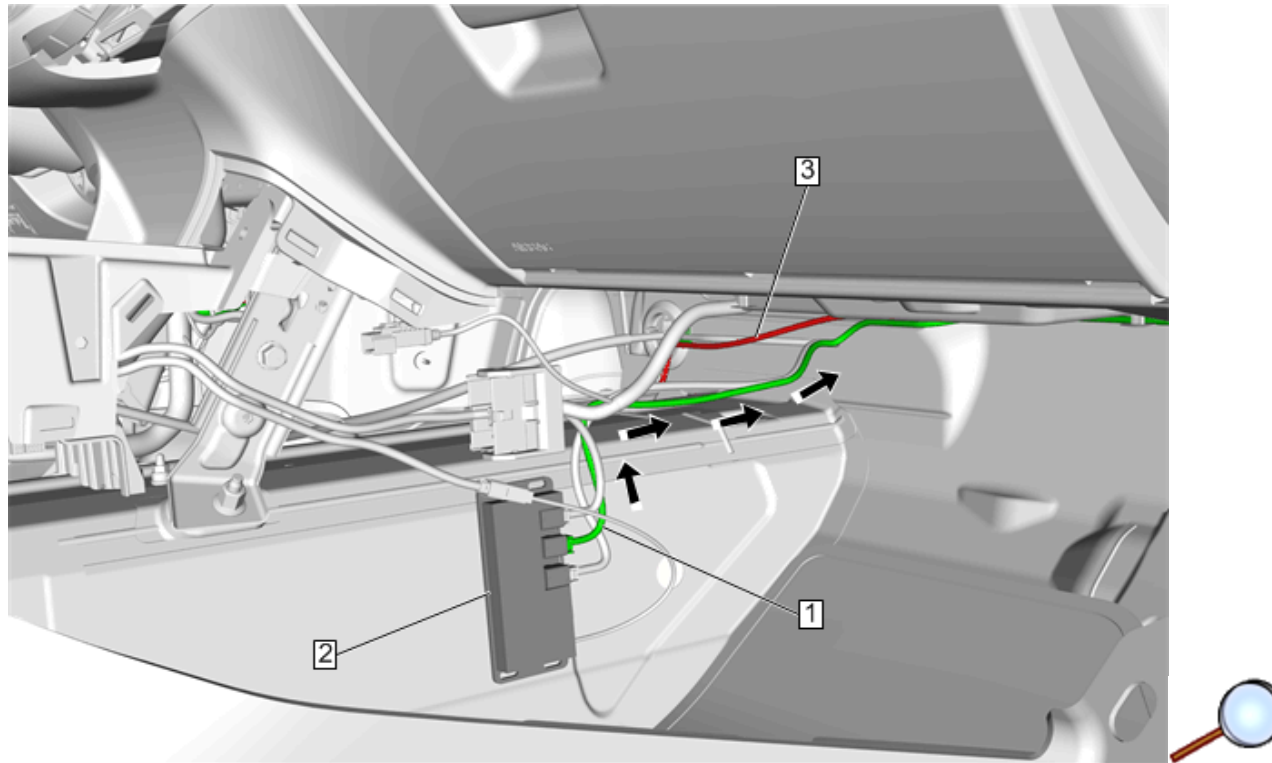
19. Connect power accessory harness (3) P/N 23217167 to lamp module (1) pig tail (2) and route harness to power outlet on back on console.



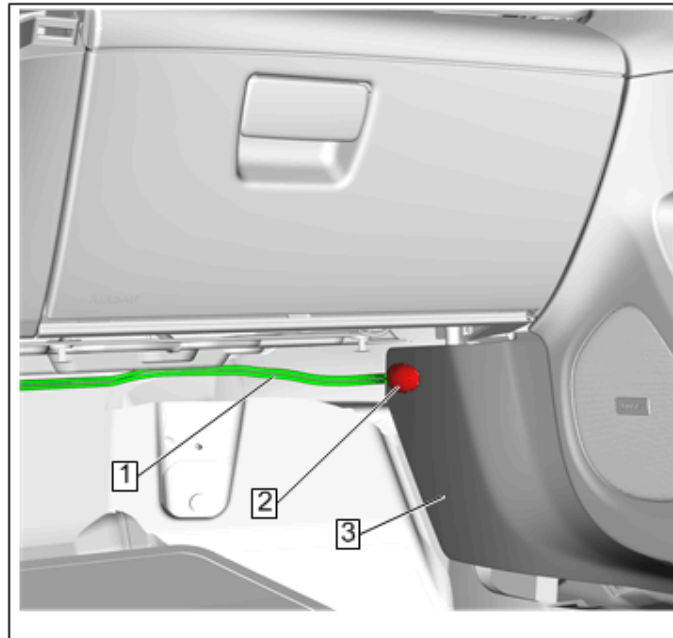
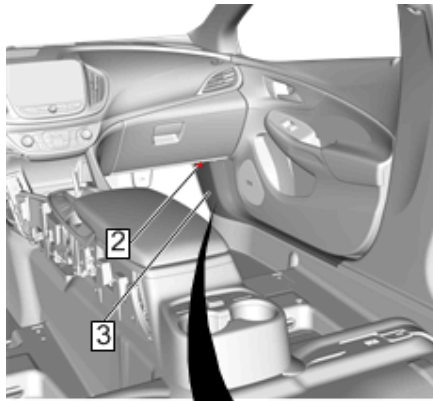
20. Unplug console harness power outlet connector (3) from power outlet (1) and plug into accessory harness connector (2). Plug accessory harness connector (2) into console power outlet (1).
21. Band tie cup holder harness and power accessory harness to console harness with provided tie straps every 125.0 mm to ensure harnesses do not rattle.



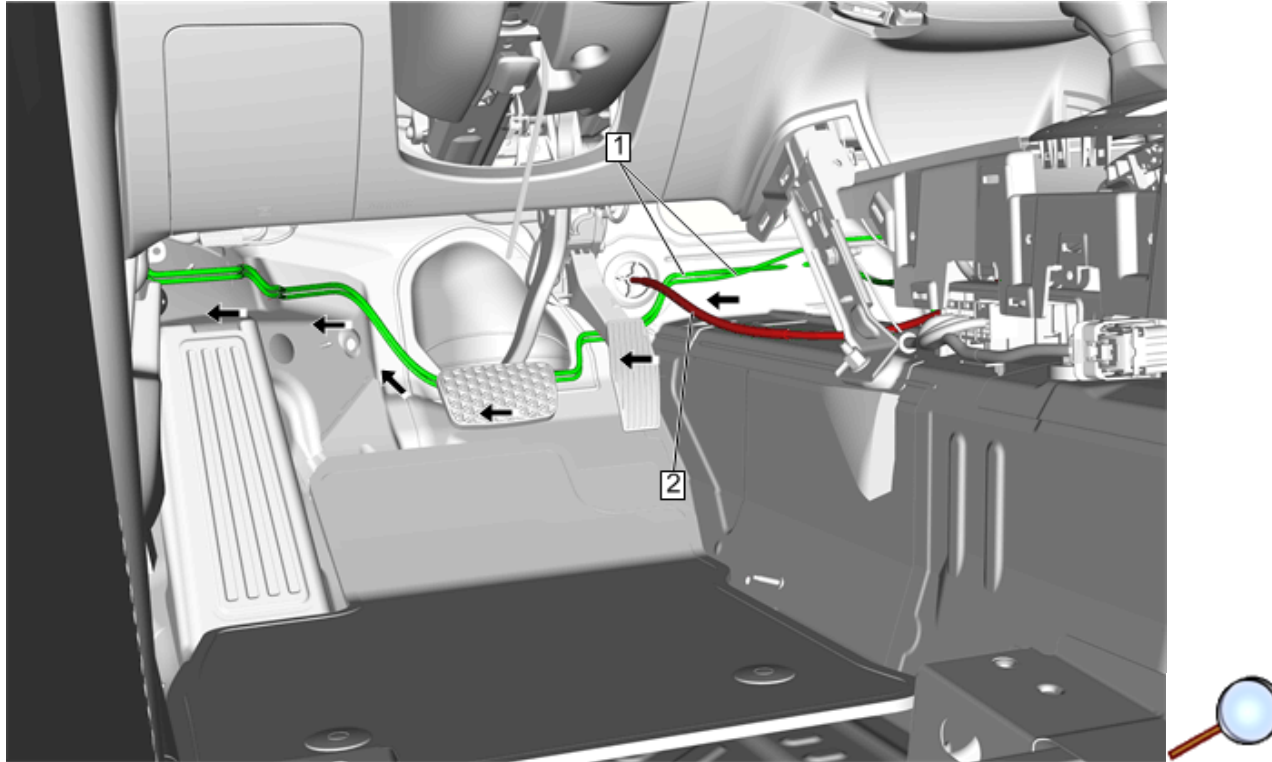
22. Connect switch accessory harness (1) P/N 23450358 to lamp module (2) and route harness to front of dash.



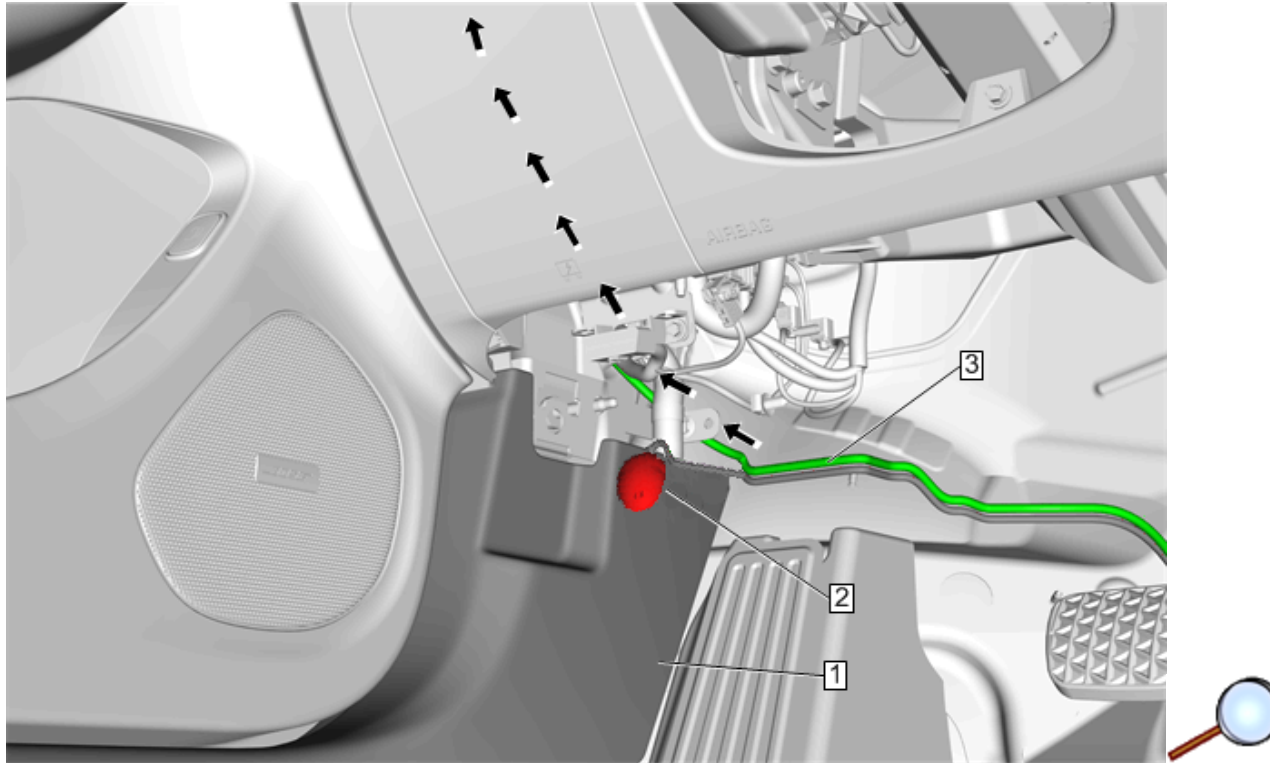
23. Connect foot well lamp accessory harness (1) P/N 23217168 to lamp module (2) and route harness to front of dash. When routing to drivers side (3) route under trans cable and HVAC pipes then pull harness to dash panel.



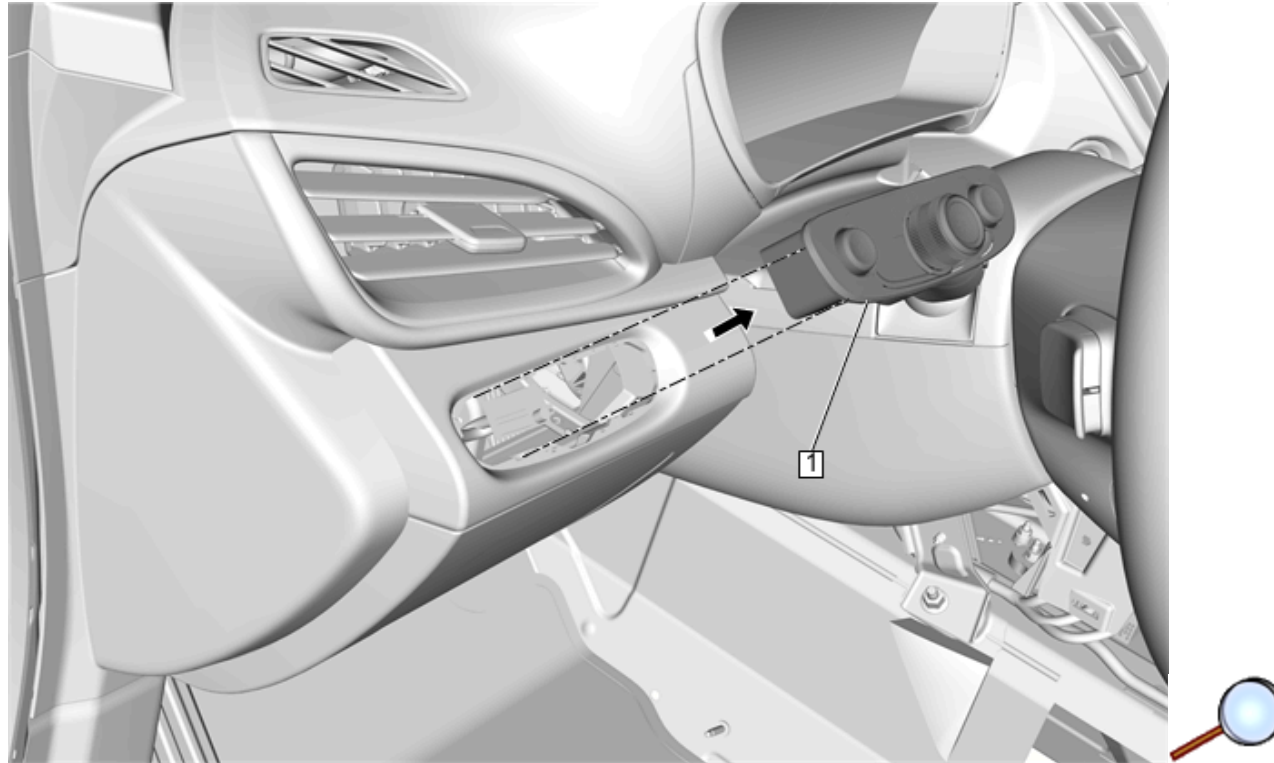
24. Route foot well lamp harness (1) approximately 40.0 mm below carpet line along front of dash on passenger side of vehicle. Peel tape covering off back of lamp and install lamp (2) on front side of sill trim panel (3).



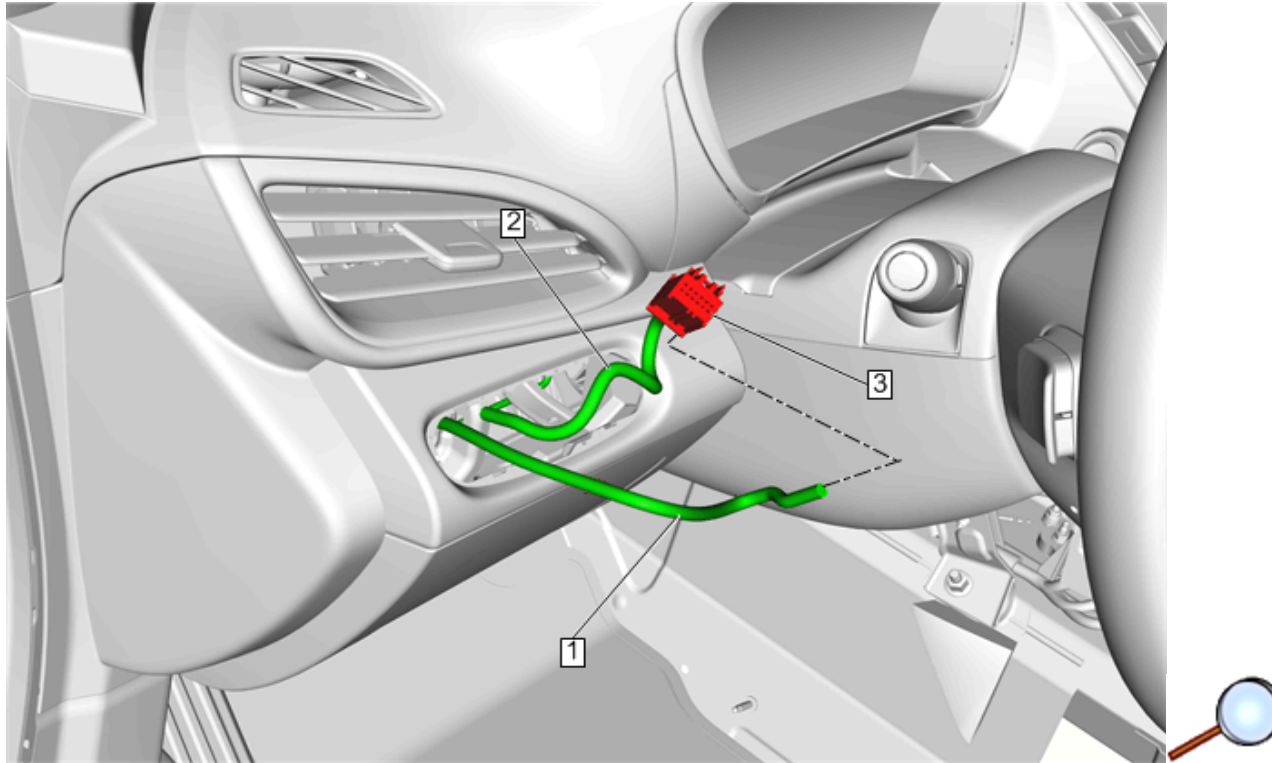
25. Foot well lamp harness and switch harness have a colored marker tape to help locate the harnesses (1) when routing to the LH side of the vehicle. marker tape to be approximately 45.0 mm to RH side of transmission cable assembly (2).



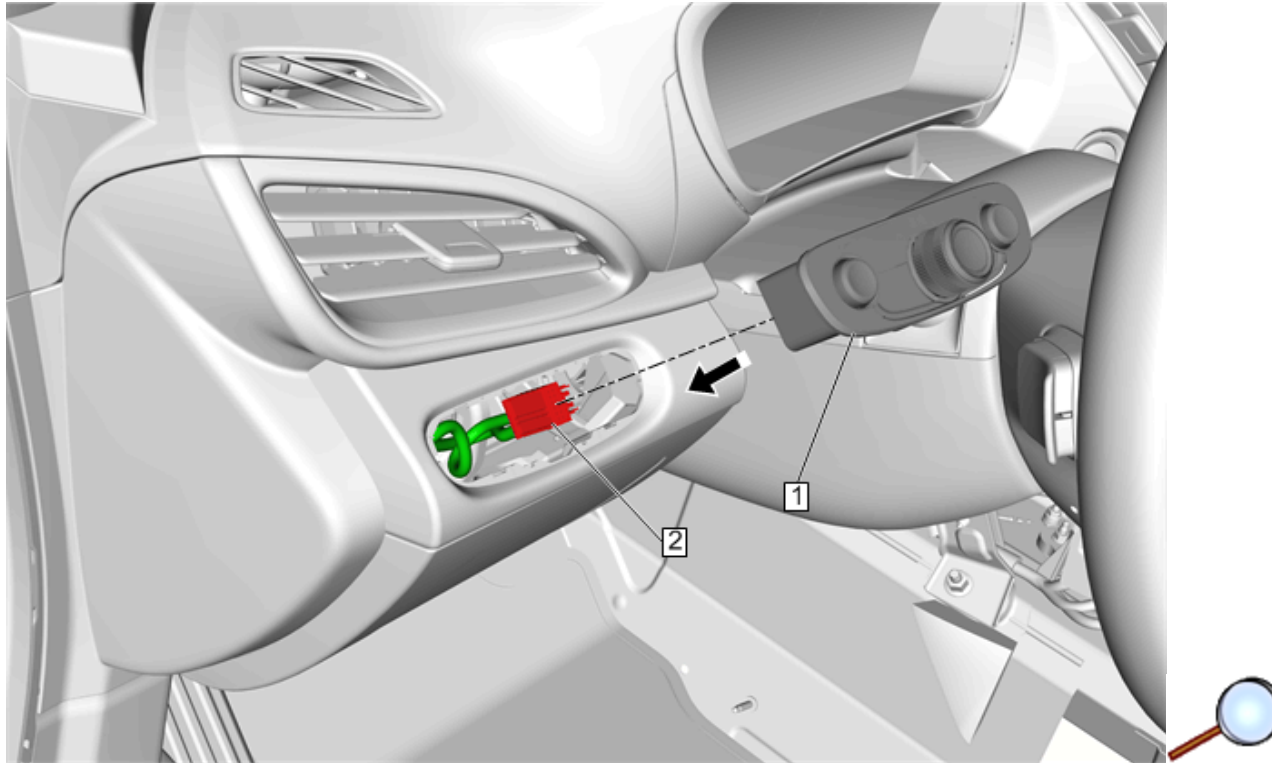
26. Route foot well lamp harness and switch harness approximately 40.0 mm below carpet line along front of dash on driver side of vehicle. Peel tape covering off back of lamp and install lamp (2) on front side sill trim panel (1). Secure driver side foot well lamp to the front side sill trim panel with the supplied screws.
27. Continue to route switch harness (3) to the I/P towards the headlamp switch.



28. Remove in vehicle headlamp switch (1). Refer to Vehicle Service Manual.



29. Route accessory switch harness (1) and headlamp switch harness (2) through headlamp switch hole.
30. Remove terminals in cavities X1-8 (BLACK Wire-GND) and X1-2 (YELLOW Wire-DIM) of headlamp switch connector (3). Cut off terminals and strip insulation off end wires. Strip off insulation of blunt cut ends of accessory switch harness (1) (BLACK Wire and YELLOW Wire). Align colors and splice wires together with splice clips supplied in kit. Plug terminals of switch accessory harness (1) (BLACK Wire) into cavity X1-8, (YELLOW Wire) into cavity X1-2 and (WHITE Wire) into Cavity X1-10 of headlamp switch connector (3).



Note: Replace in vehicle headlamp switch with supplied headlamp switch (1) in accessory kit.

31. Plug headlamp switch connector (2) into accessory headlamp switch (1). Install accessory headlamp switch instrument panel.
32. Use foam pads and tie straps to secure accessory switch harness to I/P harness to avoid rattles.
33. Test function of lamps.
34. Complete reassembly of any remaining trim panels and components.