

Document ID: 3275024

Pickup Box Endgate Latch Handle Kit Installation

Installation Instructions Part Number

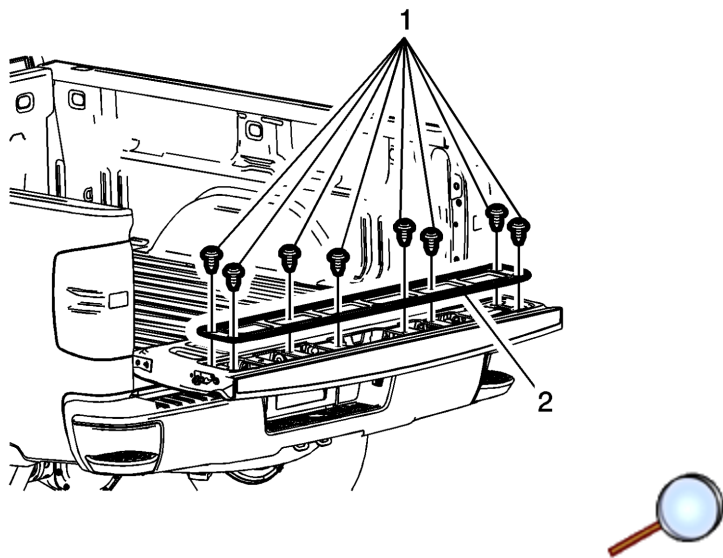
22967797

22967798

23448686

Procedure

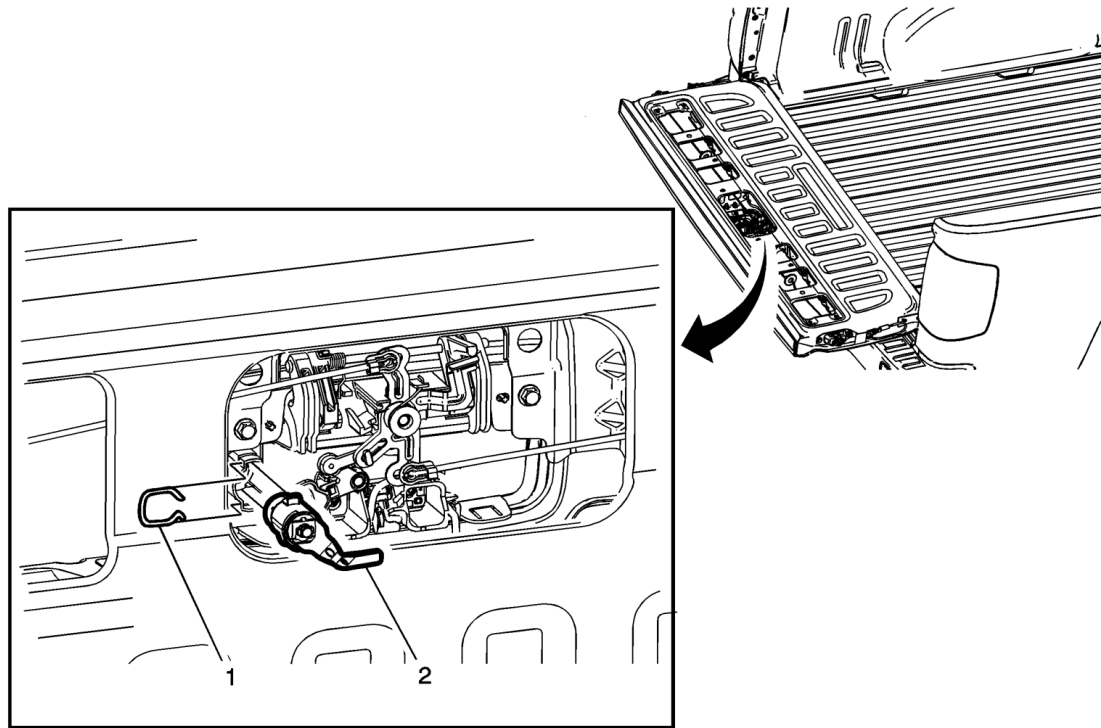
Remove Pickup Box Endgate Access Hole Cover Panel



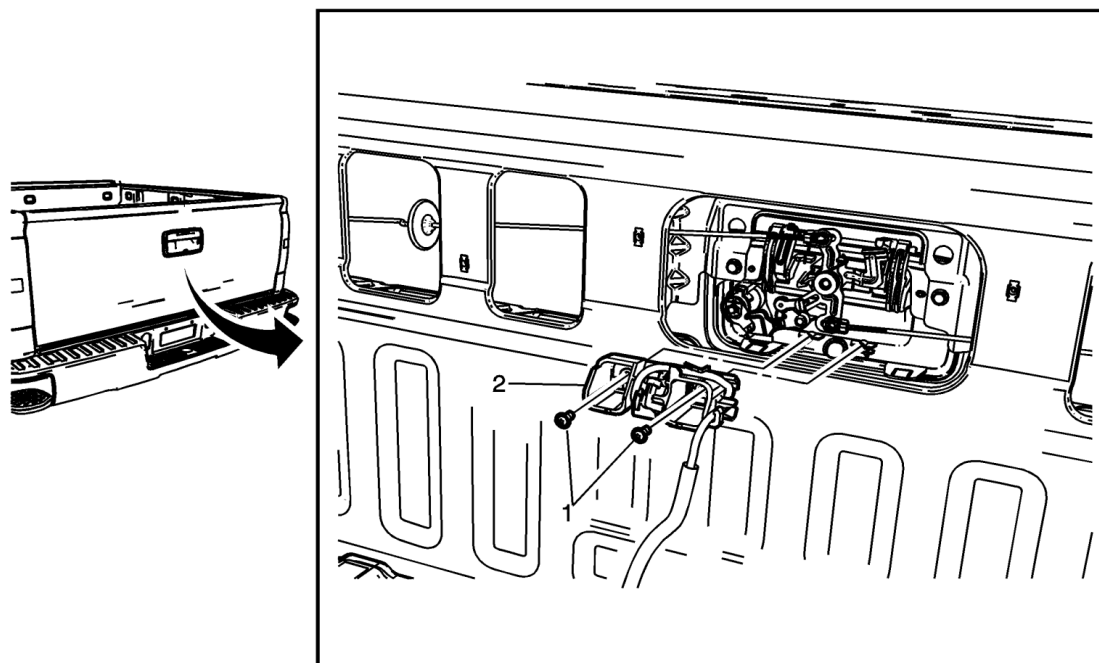
1. Open the endgate to the fully open position.
2. Remove the pickup box endgate access hole cover panel bolts (1).
3. Remove the pickup box endgate access hole cover (2).

Remove Pickup Box Endgate Handle

© 2018 General Motors. All rights reserved.

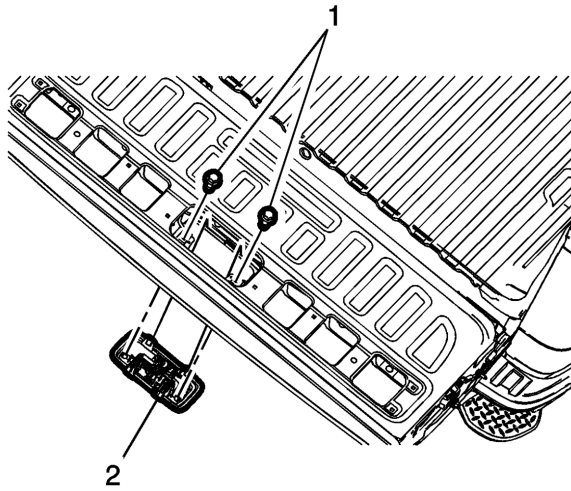


1. Remove and retain the endgate lock cylinder case spring retainer (1).
2. Remove and retain the endgate lock cylinder (2).



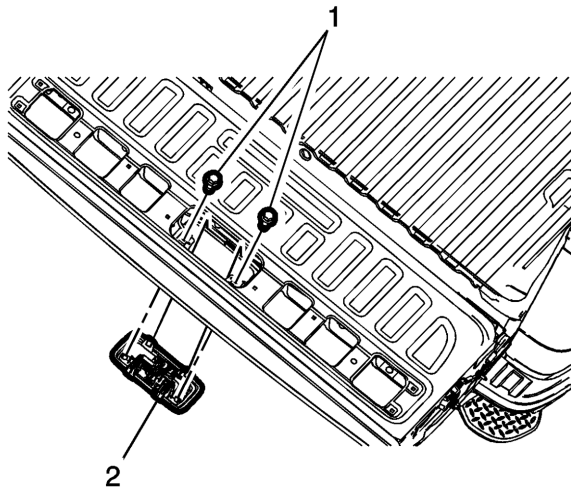
Note: Steps 3 and 4 or only required if vehicle is equipped with rearview driver information camera. Otherwise continue on to step 5.

3. Remove the rearview driver information camera fasteners (1) (Qty 2).
4. Remove the rearview driver information camera (2) from the handle.



5. Remove and retain the bolts (1) from the pickup box endgate handle.
6. Disconnect the actuator rods and release the lower retainer tabs from the pickup box endgate handle.
7. Remove the pickup box endgate handle (2) from the pickup box endgate.

Install Pickup Box Chrome Endgate Handle



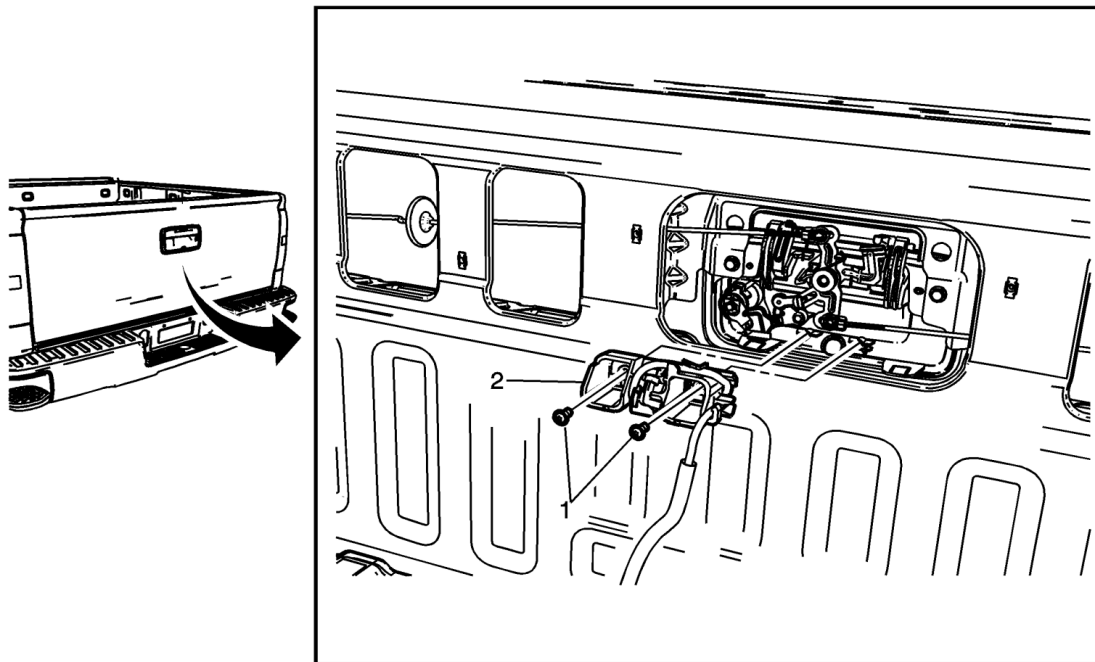
1. Install the pickup box chrome endgate handle (2) from the pickup box endgate.
2. Connect the actuator rods and the lower retainer tabs to the pickup box chrome endgate handle.

Caution: Use the correct fastener in the correct location. Replacement fasteners must be the correct part number for that application. Fasteners requiring replacement or fasteners requiring the use of thread locking compound or sealant are identified in the service procedure. Do not use paints, lubricants, or corrosion inhibitors on fasteners or fastener joint surfaces unless specified. These coatings affect fastener torque and joint clamping force and may damage the fastener. Use the correct tightening sequence and specifications when installing fasteners in order to avoid damage to parts and systems.

3. Install the previously removed bolts (1) to the pickup box chrome endgate handle.

Tighten

Tighten the pickup box chrome endgate handle bolts to 9 N.m (80 lb in).

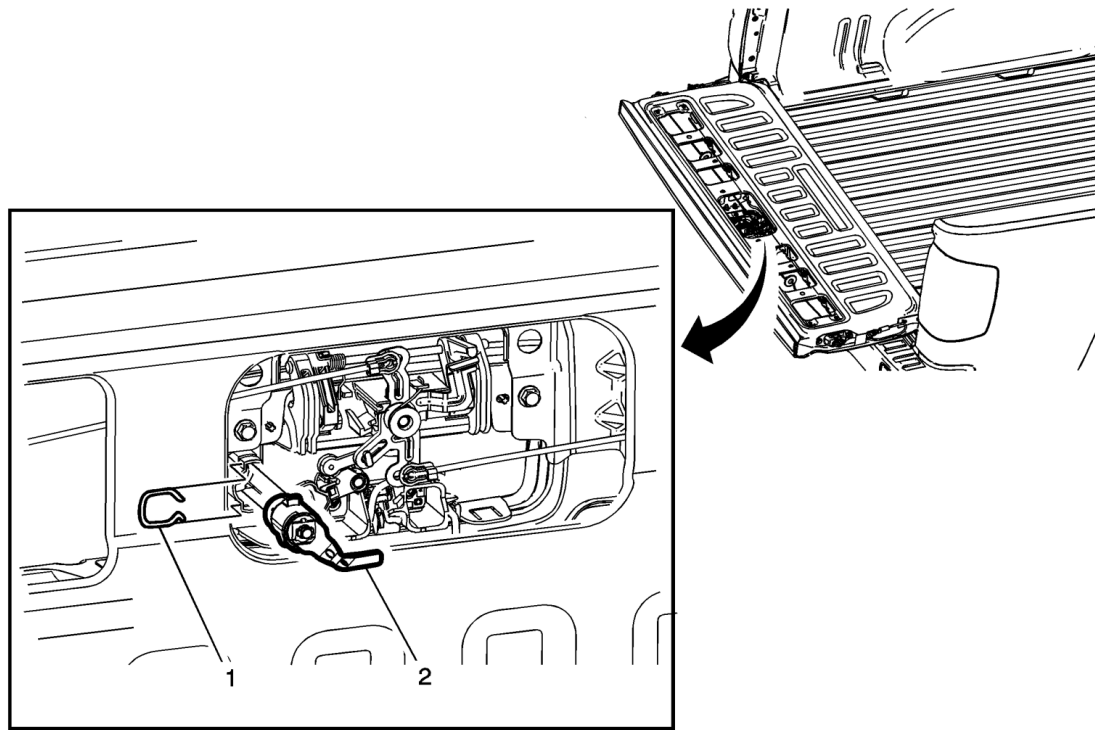


Note: Steps 4 and 5 or only required if vehicle is equipped with rearview driver information camera. Otherwise continue on to step 6.

4. Install the rearview driver information camera (2) to the handle.
5. Install the rearview driver information camera fasteners (1) (Qty 2).

Tighten

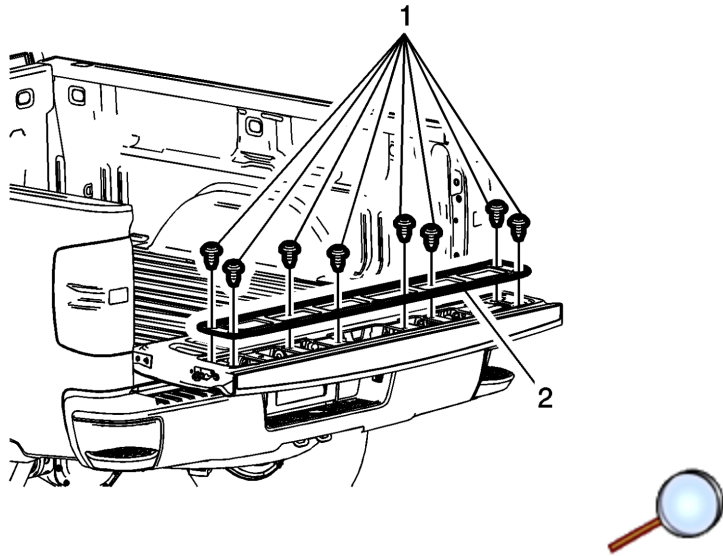
Tighten the rearview driver information camera fasteners to 1 N.m (9 lb in).



6. Install the previously retained endgate lock cylinder (2).

7. Install the previously retained endgate lock cylinder case spring retainer (1).

Reinstall the Pickup Box Endgate Access Hole Cover Panel



Note: Before installing the pickup box endgate access hole cover, make sure the pickup box chrome endgate handle functions correctly.

1. Install the pickup box endgate access hole cover (2) to the pickup box endgate.
2. Install the pickup box endgate access hole cover panel bolts (1).
3. Close the pickup box endgate