

Document ID: 3998197

Auxiliary Audio Interface Module Package Installation

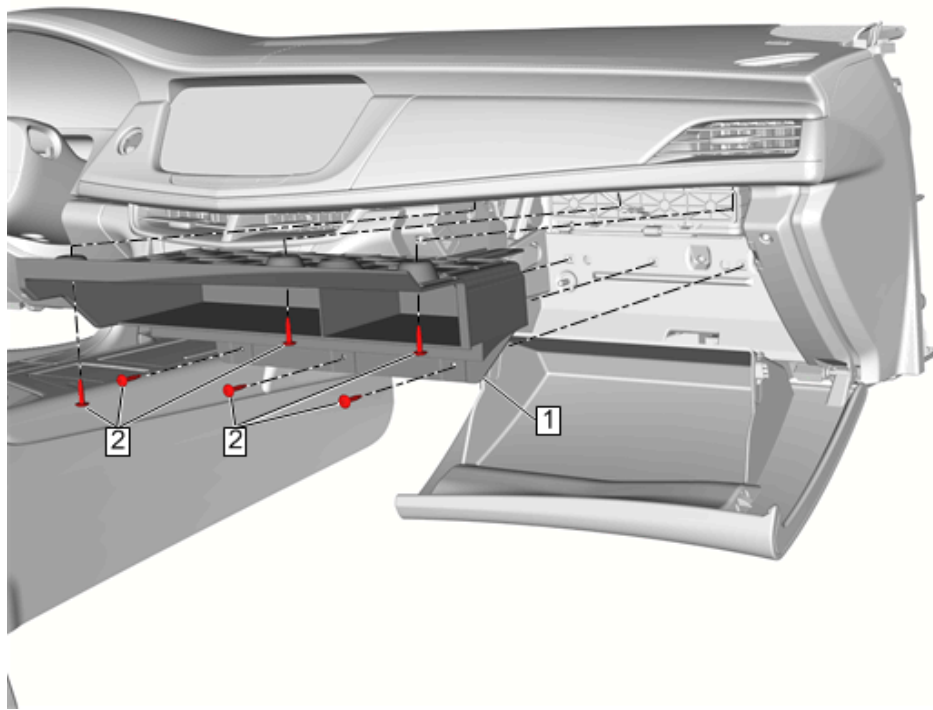
Installation Instructions Part Number

23453030

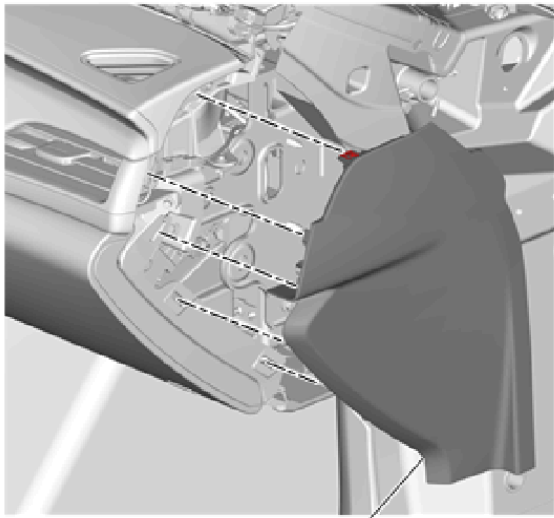
Kit Contents

Qty	Description
1	Remote Media Player
1	Remote Media Player Compartment Shelf
1	Jumper Harness
4	Screws
1	Installation Instructions

Procedure



1. Open the instrument panel compartment door.
2. Remove and retain the screws (2) from the factory installed instrument panel compartment shelf (1).
3. Remove the instrument panel compartment shelf (1) from the instrument panel compartment.



1

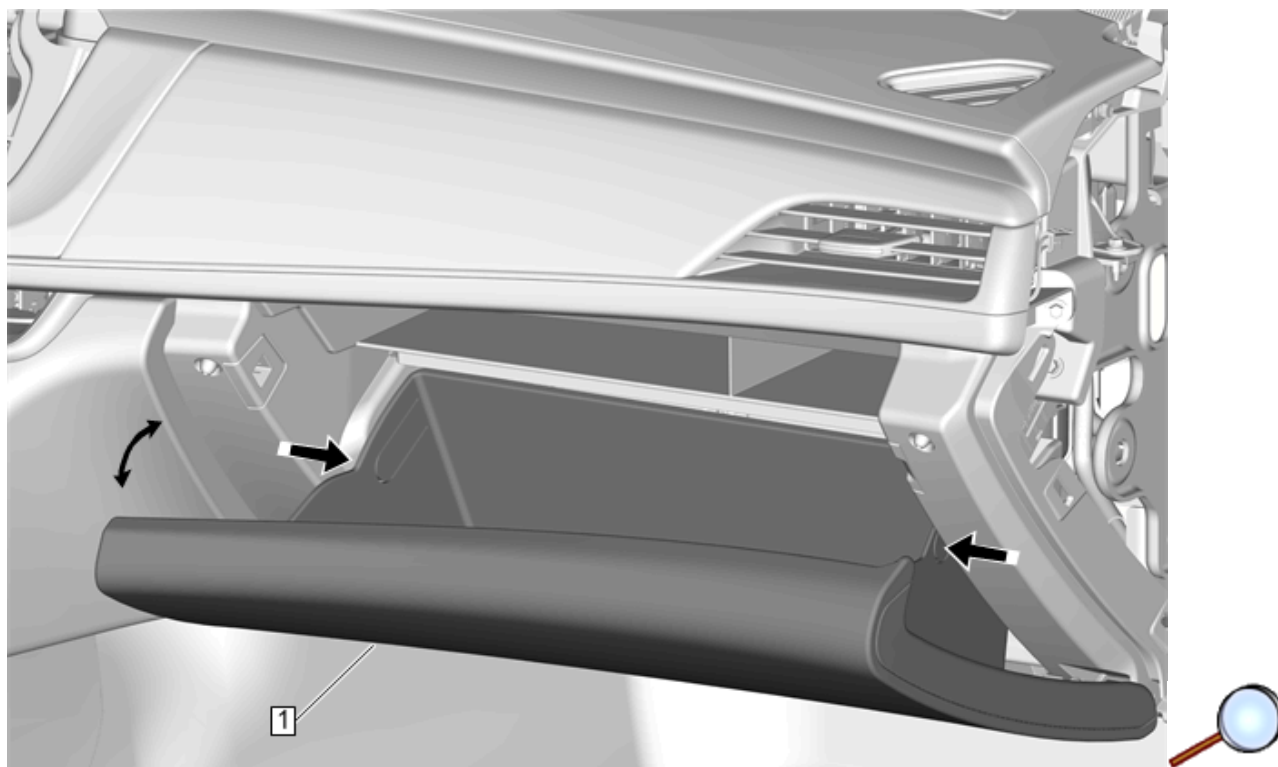


4. Using a flat bladed plastic trim tool, remove the instrument panel outer trim cover (1).

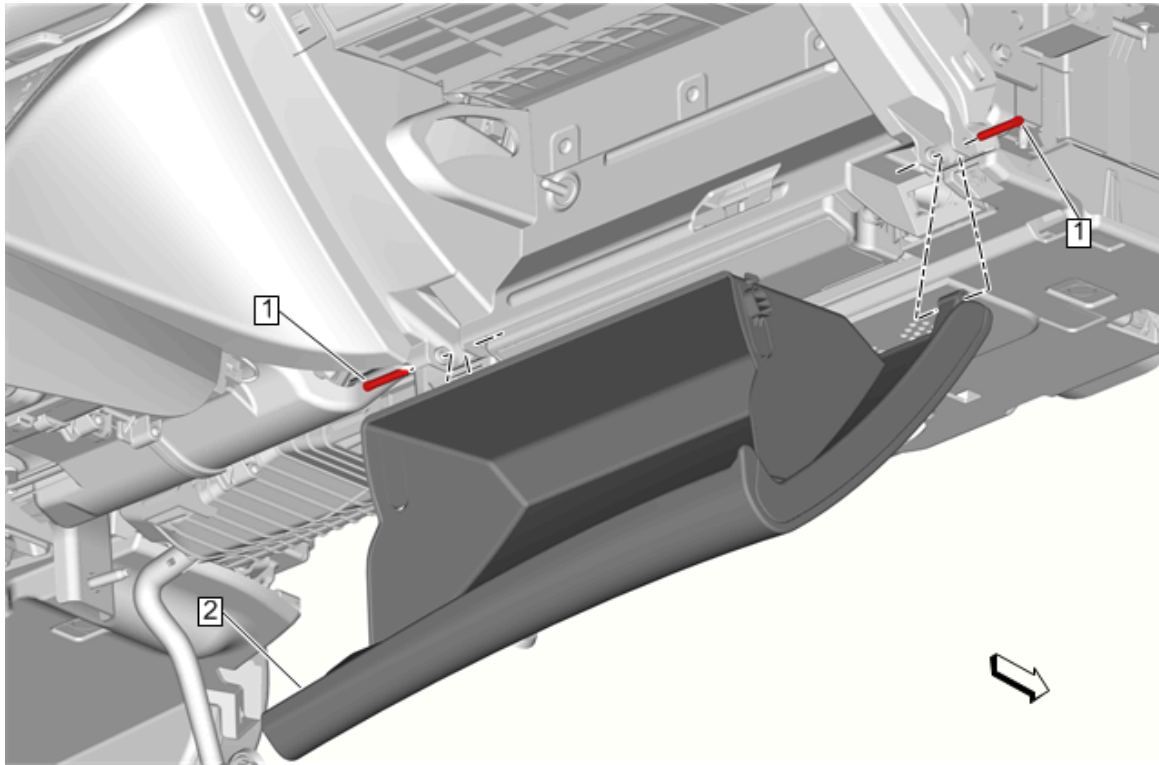


1

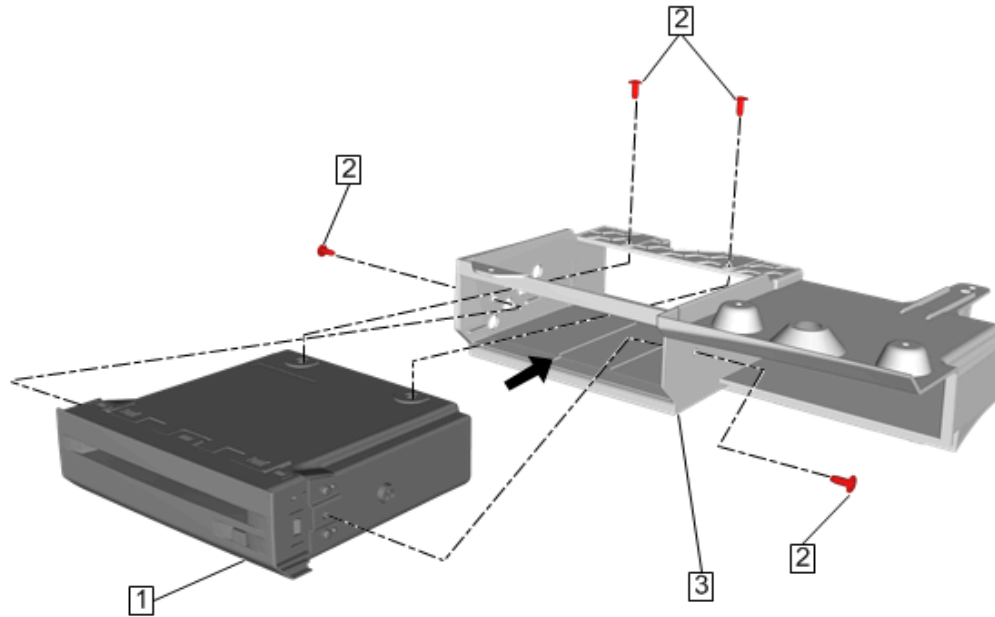
5. Disconnect the instrument panel compartment door dampener from the instrument panel compartment door.(1)



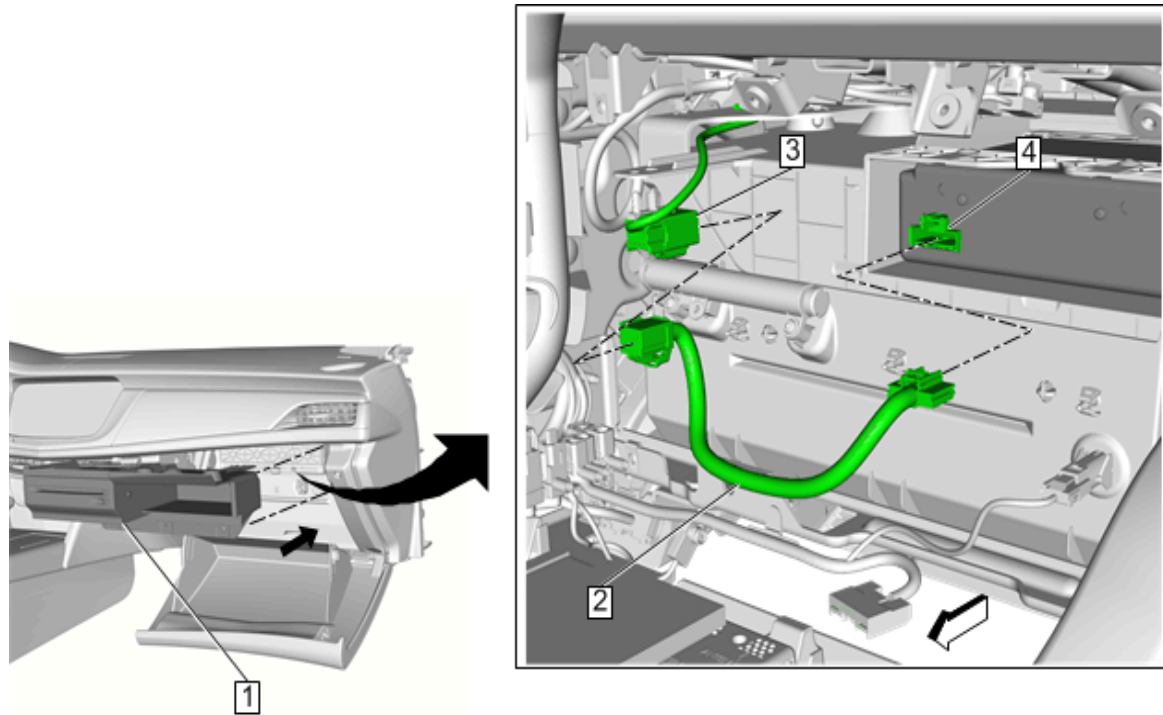
6. Squeeze the sides of the compartment and lower the compartment past the stops.



7. Use a suitable tool.
8. Instrument Panel Compartment Door Hinge(1)»Remove
9. Instrument Panel Compartment Door(2)»Remove

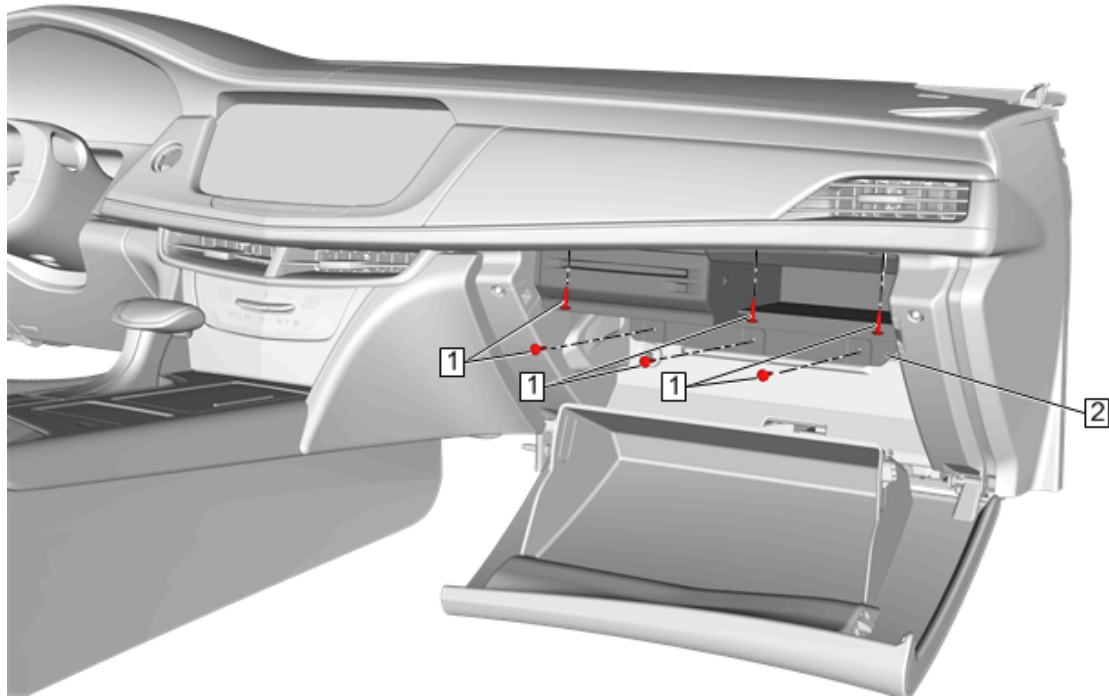


10. Install the media player (1) into the supplied instrument panel compartment shelf (3) and secure with the screws (2).



11. Locate the vehicle in-line connector.

12. Remove and discard the connector cap from the instrument panel jumper in-line connector (3). Connect the jumper harness (2) to the instrument panel jumper in-line connector (3) and media player (4). Install instrument panel compartment shelf with media player (1) into the instrument panel compartment.



13. Install the screws (1) to the instrument panel compartment shelf (2).

14. Re-install any previously removed components.

Note: No vehicle programming is required. This is a plug and play unit.

15. Test the function of the media player.

16. Installation complete. Close the instrument panel compartment door.