

Document ID: 4089904

Rear Signal Lamp Kit Installation

[Installation Instructions Part Number](#)

23469402

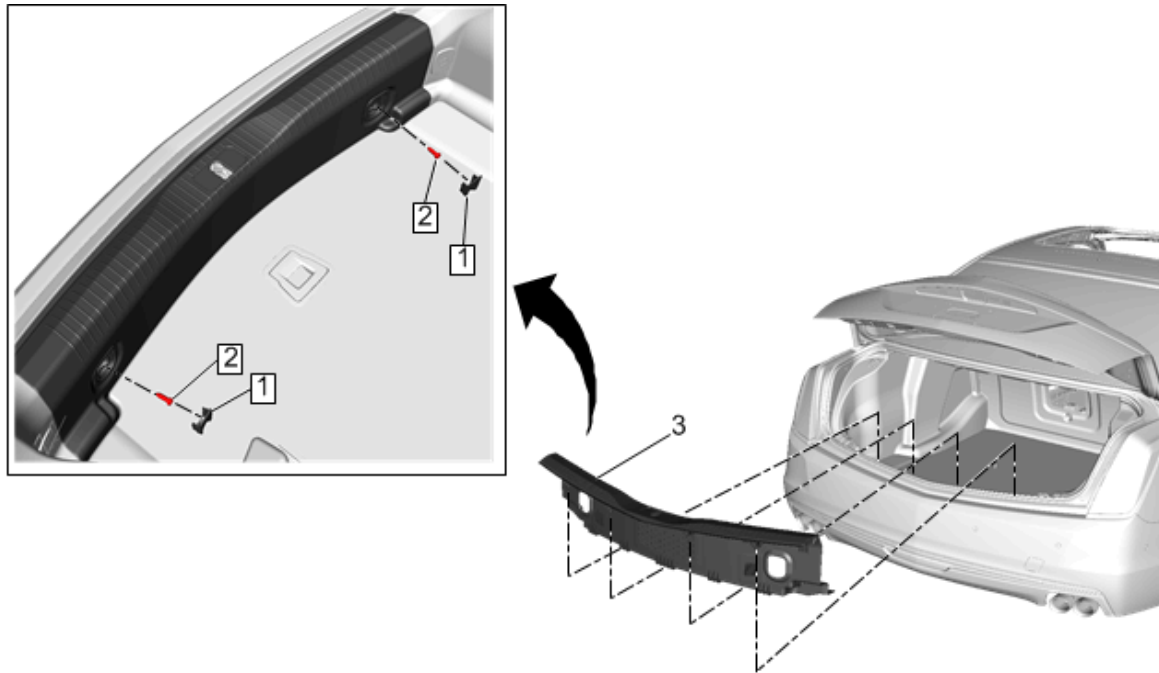
Kit Contents

Qty	Description
1	Lamp Assembly – Rear Body Structure (LH)
1	Lamp Assembly – Rear Body Structure (RH)
1	Installation Instructions

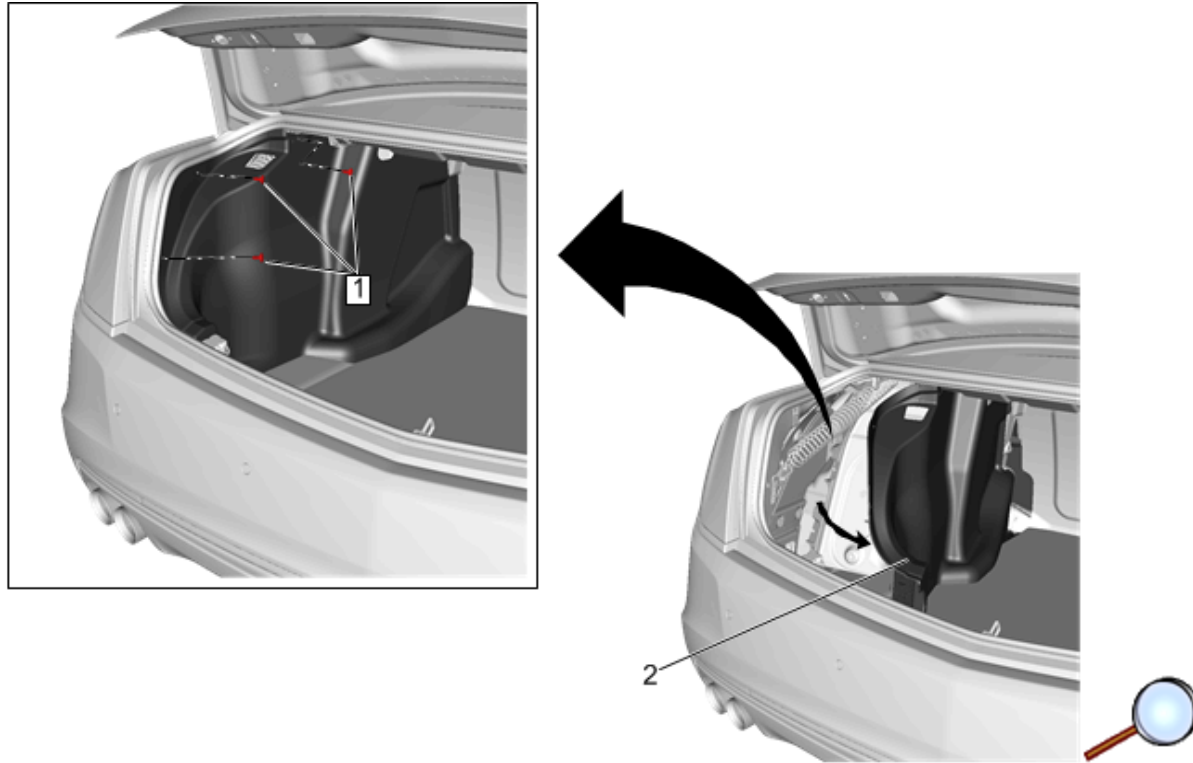
Procedure

Note: Accessory tail lamps are designed to replace SAE lamps for North America only. Vehicles with export lamps have wiring with keyed connectors that will not mate with incompatible lamps.

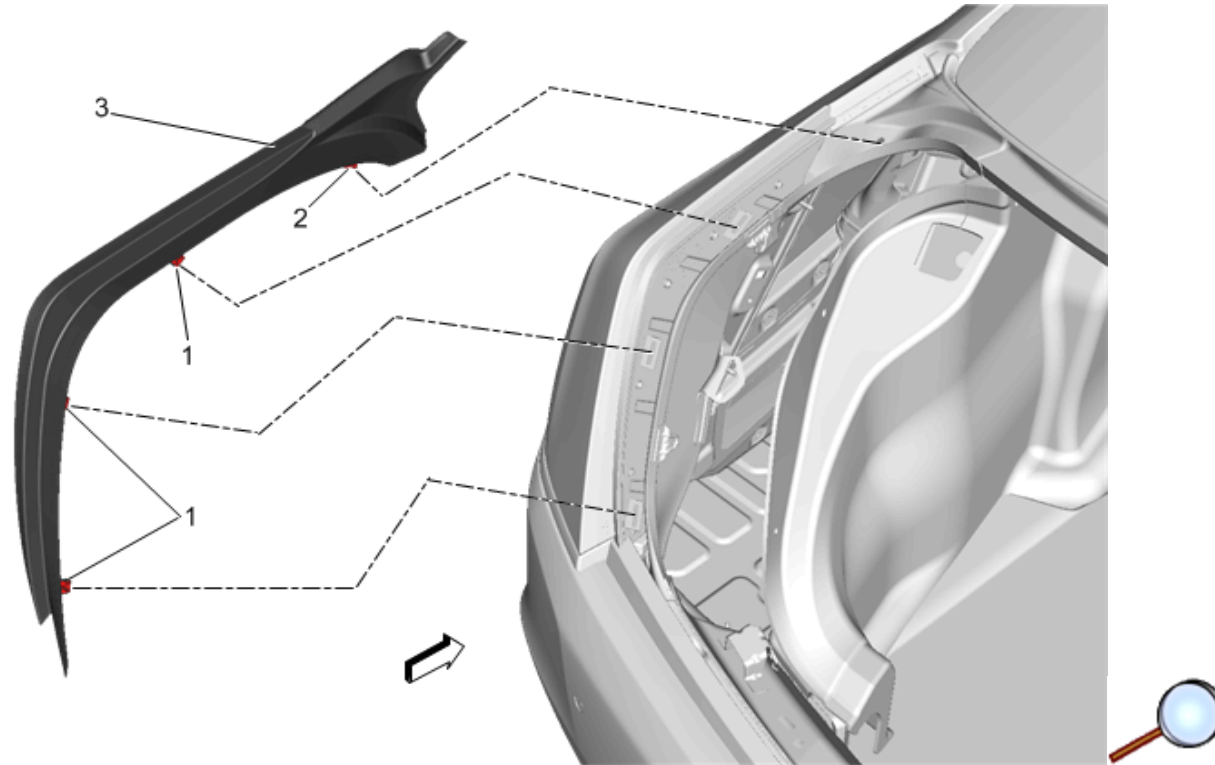
1. Open and support the rear compartment lid.



2. Remove the screw covers (1) and screws (2) from the rear end trim finish panel.
3. Remove the rear end trim finish panel (3) from the rear compartment.

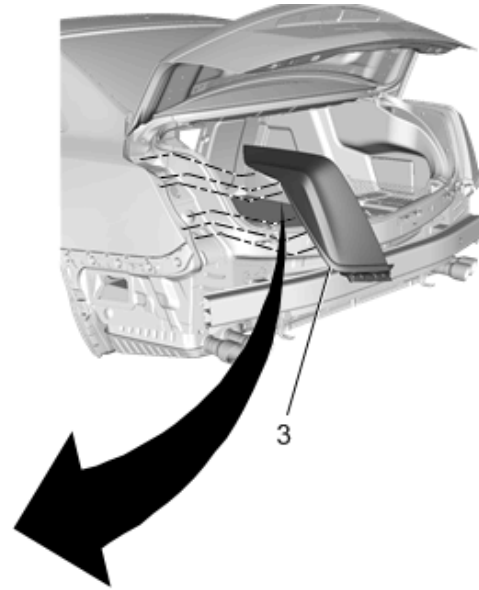
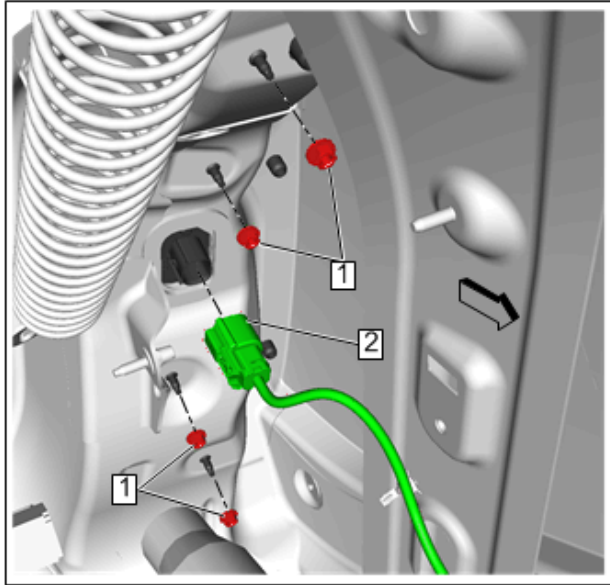


4. Remove the retainers (1) and reposition the rear compartment trim panel (2) in order to gain access to the rear tail lamp nuts and retainers.



5. Using a suitable tool, disconnect the clips (1) and retainer (2) and remove the upper quarter panel molding (3).

6. Remove the rear fascia assembly. Refer to Vehicle Service Manual.



7. Remove and retain the nuts (1) from the tail lamp.
8. Disconnect electrical connector (2) from tail lamp.
9. Remove the tail lamp assembly (3) from the vehicle.
10. Install the replacement tail lamp assembly to the vehicle.
11. Connect the electrical connector.
12. Install the nuts.
- Tighten**
Tighten the nuts to 5 Nm (11 lb ft).
13. Check function of tail lamp
14. Reinstall previously removed components.
15. Repeat procedure for other tail lamp.