

Front Grille Kit Installation (Instruction P/N 23473024 and 23478490)

Installation Instructions Part Number

23473024

23478500

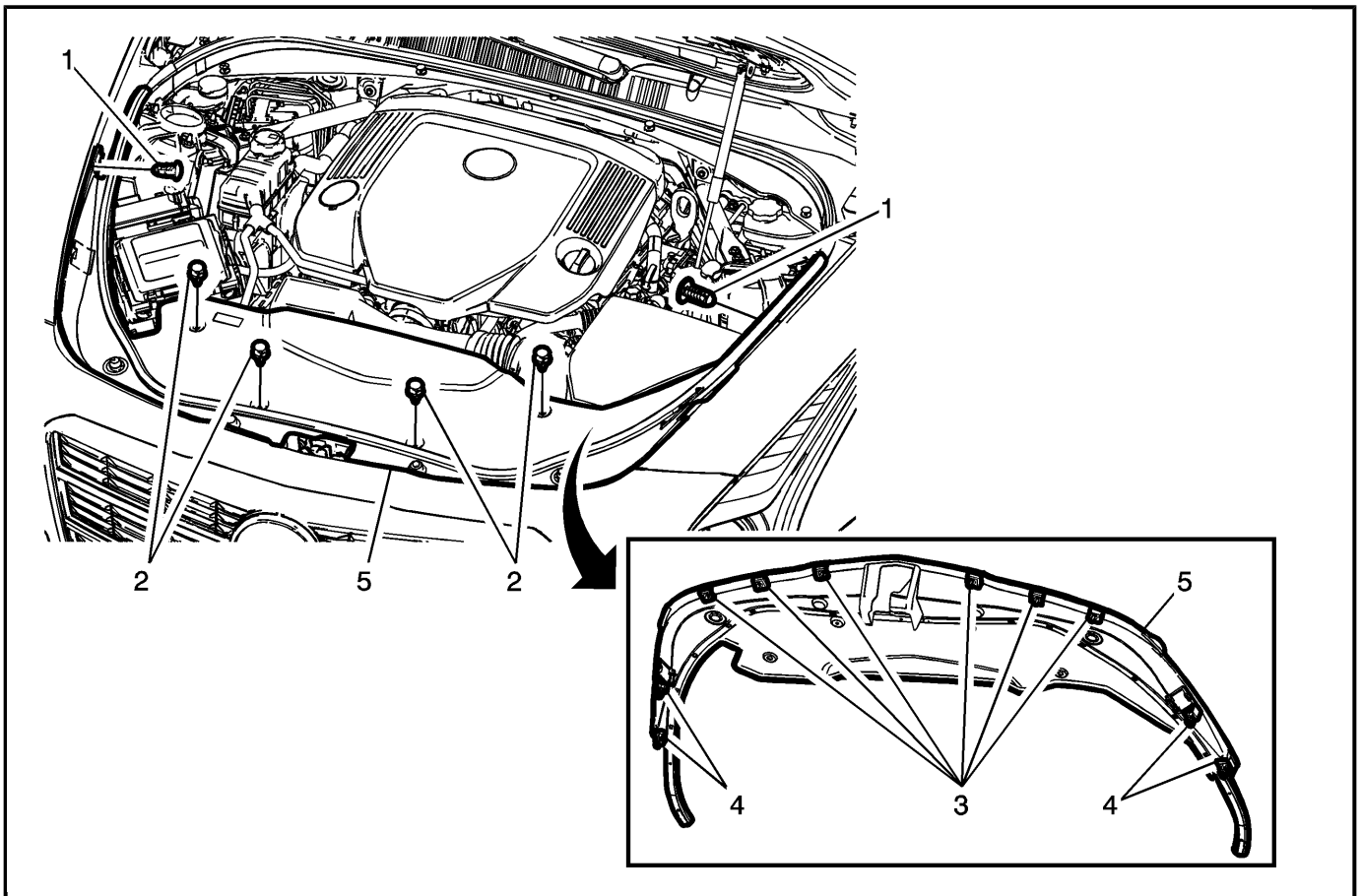
84124949

Kit Contents

Qty	Description
1	Front Outer Fascia Grille
1	Front Upper Fascia Grille
1	Front Fog Lamp Opening Cover (RH) NOT USED WITH VEHICLES EQUIPPED WITH TWIN TURBO 3.6L V6 ENGINES (LF3)
1	Front Fog Lamp Opening Cover (LH) NOT USED WITH VEHICLES VEHICLES EQUIPPED WITH TWIN TURBO 3.6L V6 ENGINES (LF3)
1	Front Energy Absorber Cover (if required)
3	Energy Absorber Cover Screws (if required)
1	Installation Instructions

Procedure

Front Compartment Front Sight Shield

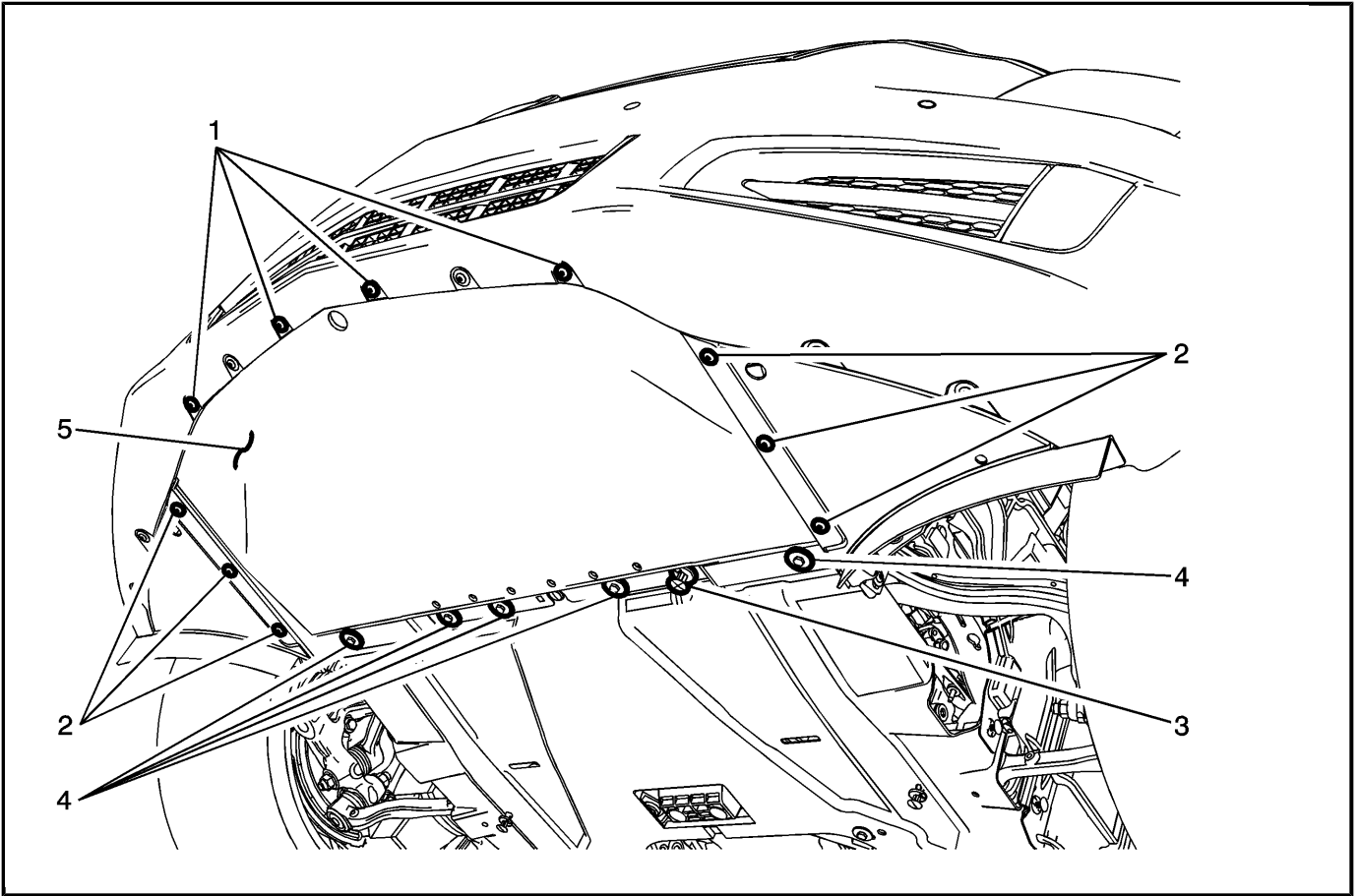


3414517

1. Remove the front compartment front sight shield retainers (1).
2. Remove the front compartment front sight shield push-in retainers (2).
3. Using a suitable tool, disengage the six hidden retainers (3) along the front edge of the front compartment front sight shield.
4. Disengage the front compartment front sight shield clips (4).
5. Remove the front compartment front sight shield (5).

Front Bumper Fascia Air Deflector

1. Raise and suitably support the vehicle. Refer to Vehicle Service Manual.



2807035

2. Remove the front air deflector screws (1), (2).

Caution: Use the correct fastener in the correct location. Replacement fasteners must be the correct part number for that application. Fasteners requiring replacement or fasteners requiring the use of thread locking compound or sealant are identified in the service procedure. Do not use paints, lubricants, or corrosion inhibitors on fasteners or fastener joint surfaces unless specified. These coatings affect fastener torque and joint clamping force and may damage the fastener. Use the correct tightening sequence and specifications when installing fasteners in order to avoid damage to parts and systems.

Upon reassembly tighten the screws to 2.5 N.m (22 lb in).

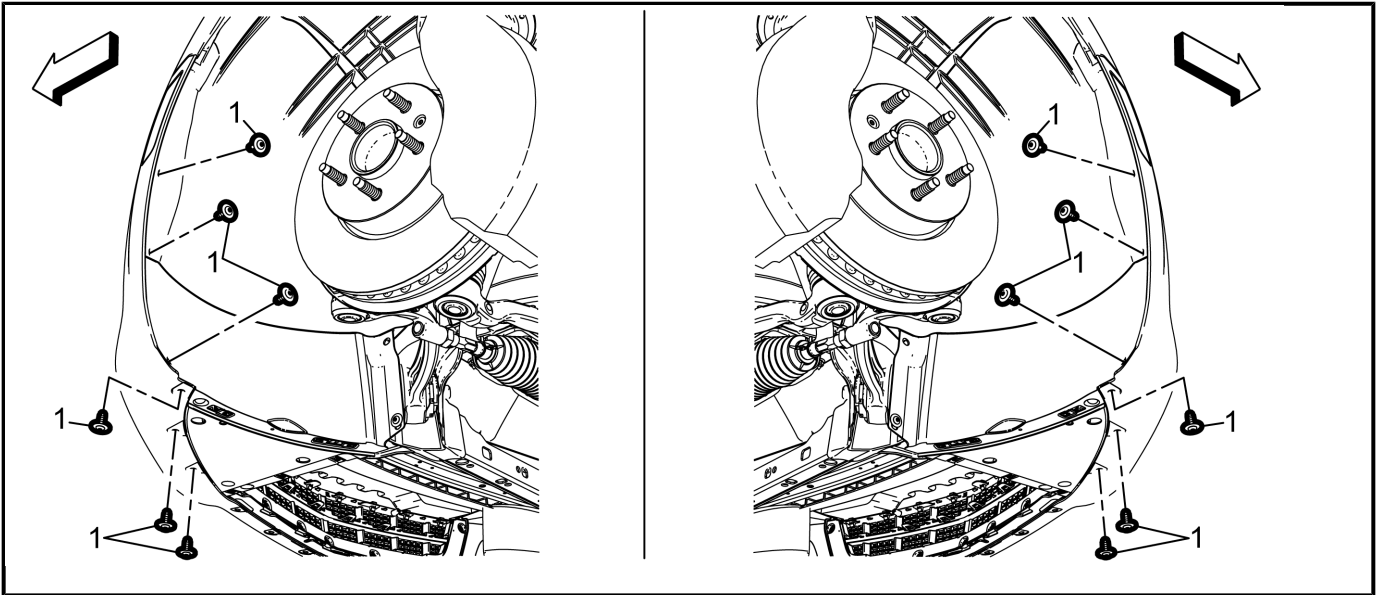
3. Remove the front air deflector push in retainers (3).
4. Remove the front air deflector bolts (4).

Upon reassembly tighten the bolts to 5 N.m (44 lb in).

5. Slide the front air deflector (5) rearward and out from the front fascia.

Front Wheelhouse Liners

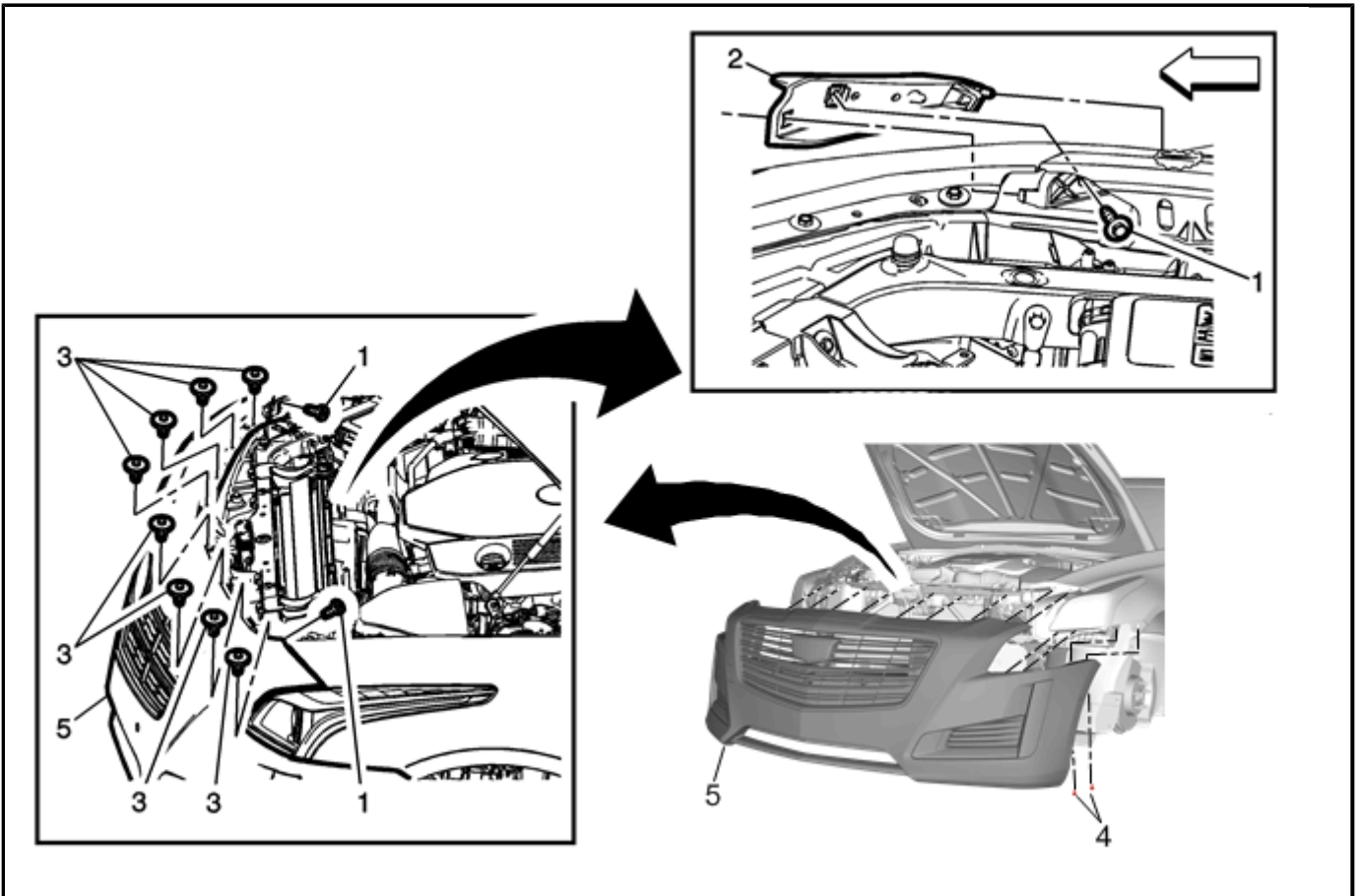
1. Remove the front wheel and tire assemblies if necessary. Refer to Vehicle Service Manual.



3668725

2. Remove the lower and inner fasteners (1) securing the left and right front wheelhouse liners to the front fascia. Upon reassembly tighten the fasteners to 2.5 N.m (22 lb in).
3. Disconnect the left and right front wheelhouse liners from the front fascia.

Front Bumper Fascia

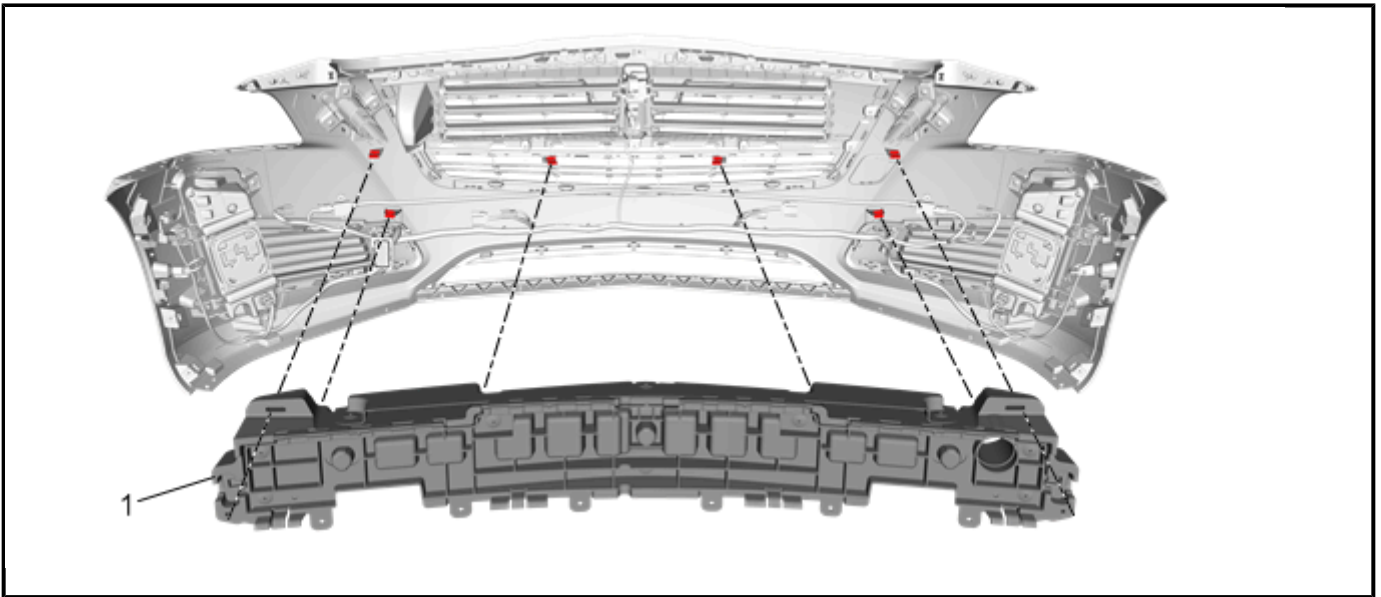


3804324

1. Remove the front bumper fascia reinforcement bolts (1).

- Upon reassembly tighten the bolts to 4 N.m (35 lb in).
2. Remove the front bumper fascia reinforcements (2).
 3. Remove the front bumper fascia upper bolts (3).
Upon reassembly tighten the bolts to 4 N.m (35 lb in).
 4. Remove the front bumper fascia outer bracket bolts (4).
Upon reassembly tighten the bolts to 9 N.m (80 lb in).
 5. Carefully push a small nylon wedge between the fascia and the headlamp bracket. Insert a small flat-bladed tool into the fascia slot and depress the snaps (2 on each side) one at a time and pull on the fascia at the same time to gradually remove the fascia from the headlamp bracket.
 6. Disconnect any electrical connectors and remove the front bumper fascia (5) from the vehicle.

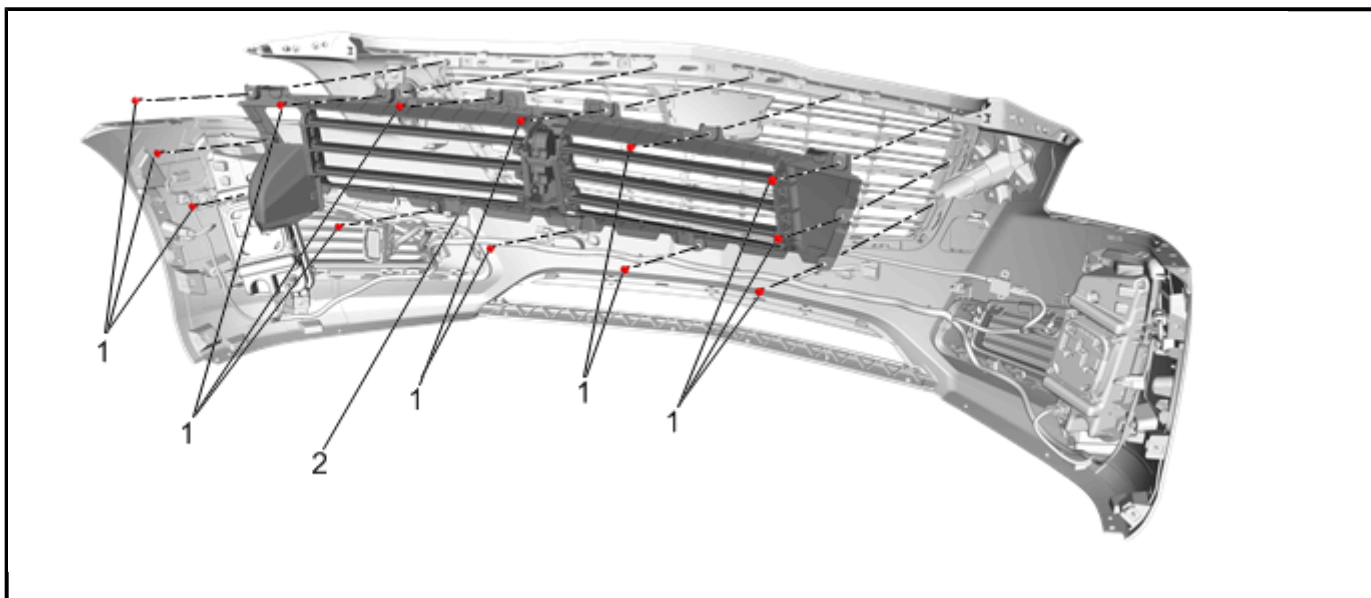
Front Bumper Energy Absorber



3804331

1. Place the front bumper fascia face down on a clean protected surface.
2. Disconnect the electrical harness retainers from the spacer and the absorber.
3. Remove the seven plastic retaining screws from the absorber.
4. Remove the six metal retaining clips holding the absorber to the fascia.
5. Remove the absorber (1) from the fascia.

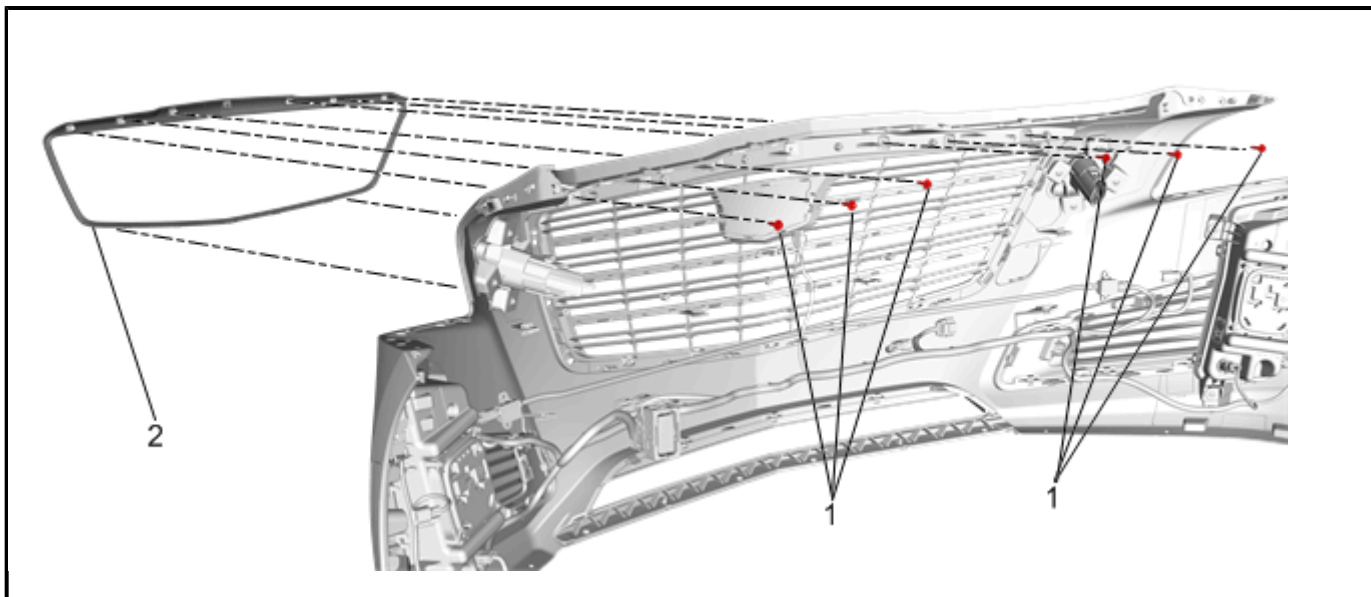
Front Bumper Lower Shutter (if equipped)



3804328

1. Remove the front bumper lower shutter bolts (1).
Upon reassembly tighten the bolts to 2.5 N.m (22 lb in).
2. Remove the front bumper lower shutter (2).

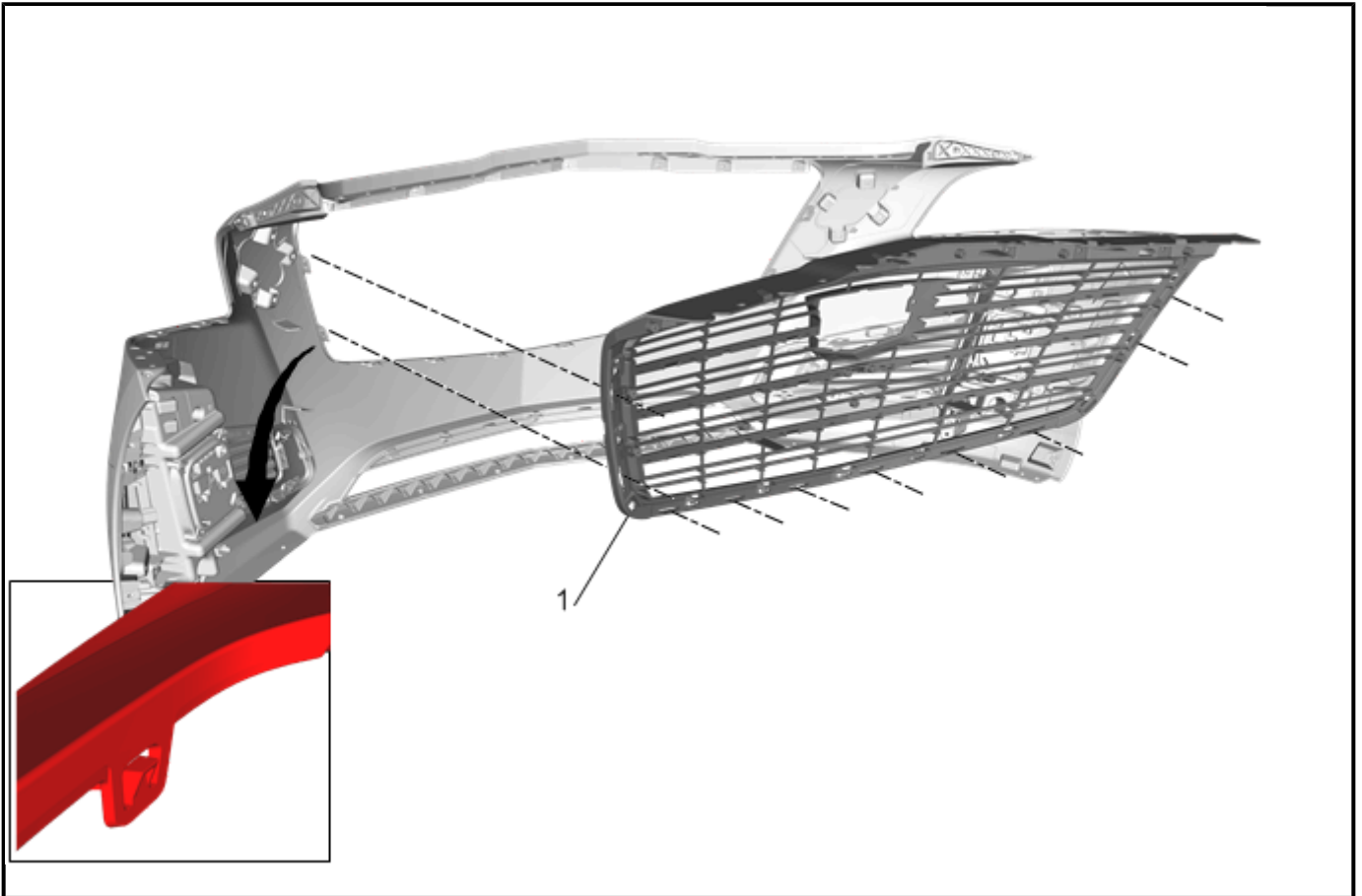
Front Outer Grille



3804336

1. Remove the front outer grille bolts (1).
2. Release the 11 locking tabs from the front outer grille (2) and pull from the front bumper fascia.

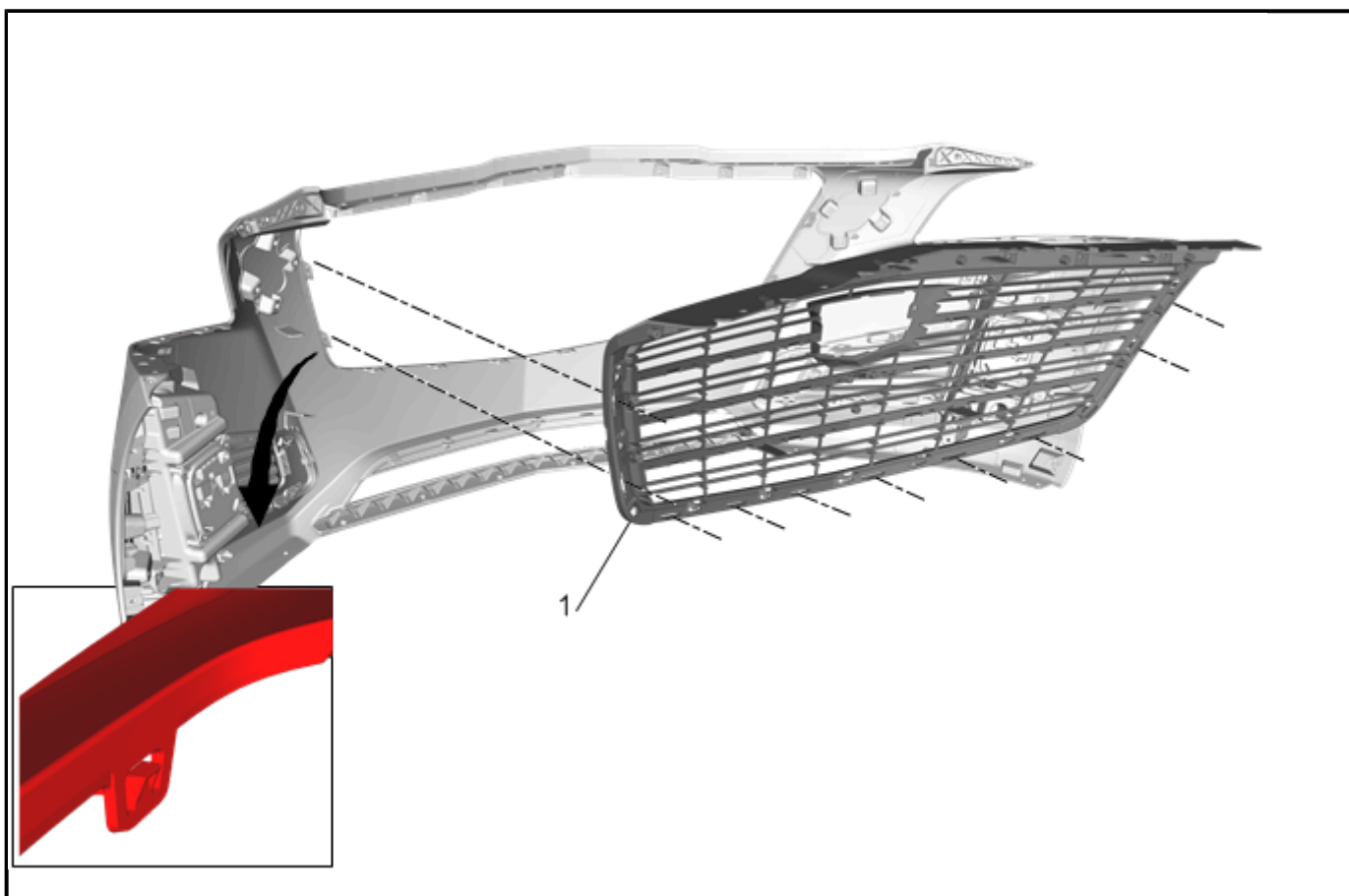
Front Upper Grille



3787353

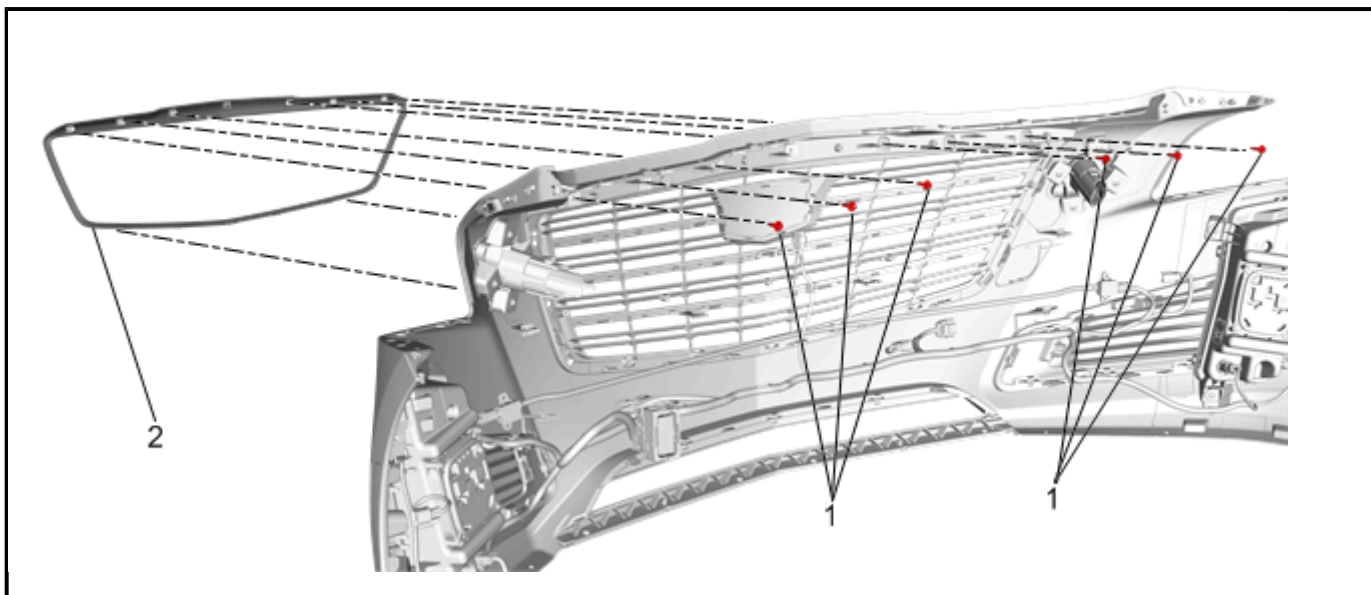
1. Release the 10 locking tabs from the front upper grille (1) and pull from the front bumper fascia.

Install Accessory Front Upper and Outer Grille



3787353

1. Install the accessory front upper grille (1) to the front bumper fascia by engaging the 10 locking tabs.

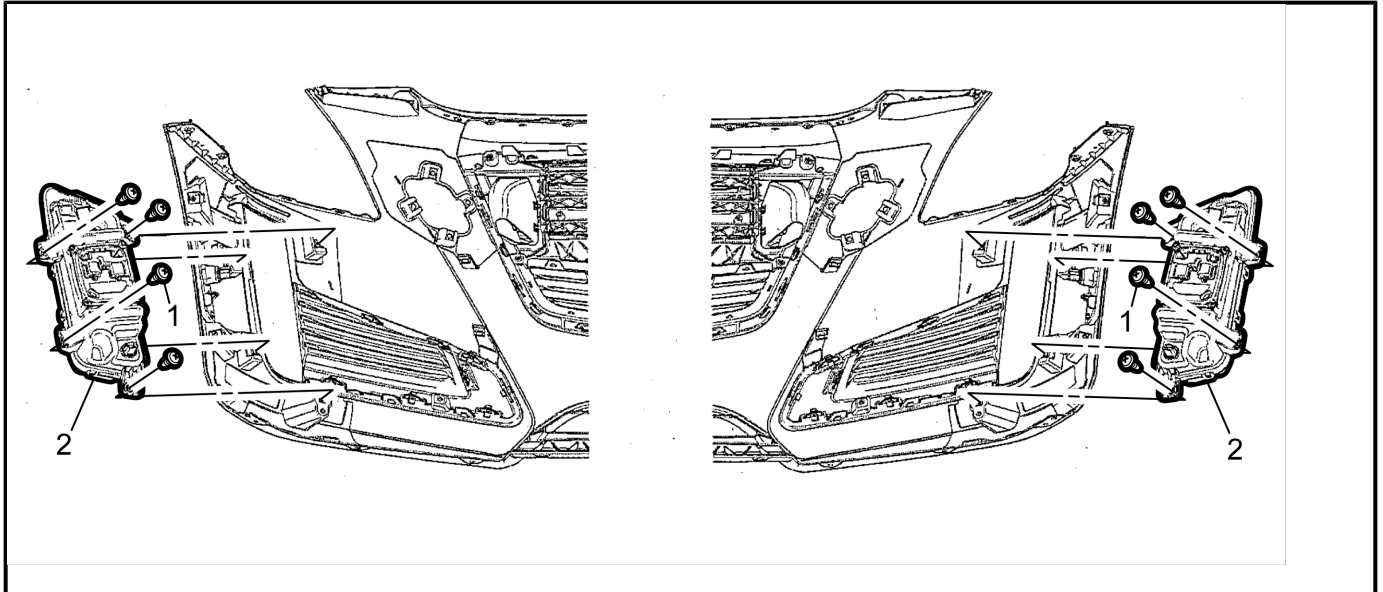


3804336

2. Install the accessory front outer grille (2) to the accessory front upper grille by engaging the 11 locking tabs.
3. Install the accessory front outer grille bolts (1).
Tighten the bolts to 9 N.m (80 lb in).

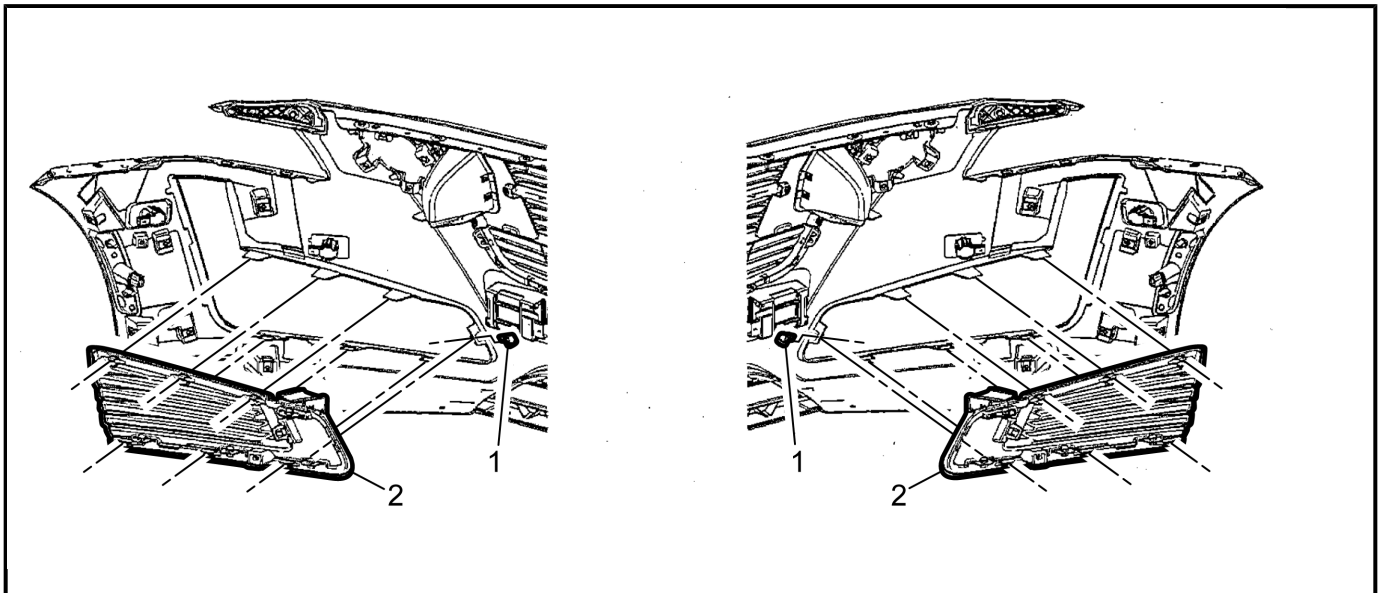
Front Fog Lamp Opening Cover

Note: FRONT FOG LAMP OPENING COVER IS NOT USED WITH VEHICLES EQUIPPED WITH TWIN TURBO 3.6L V6 ENGINES (LF3).



3670179

1. Remove the screws (1) from the turn signal lamp assemblies.
2. Disconnect the electrical connectors and remove the turn signal lamp assemblies (2) from the front bumper fascia.

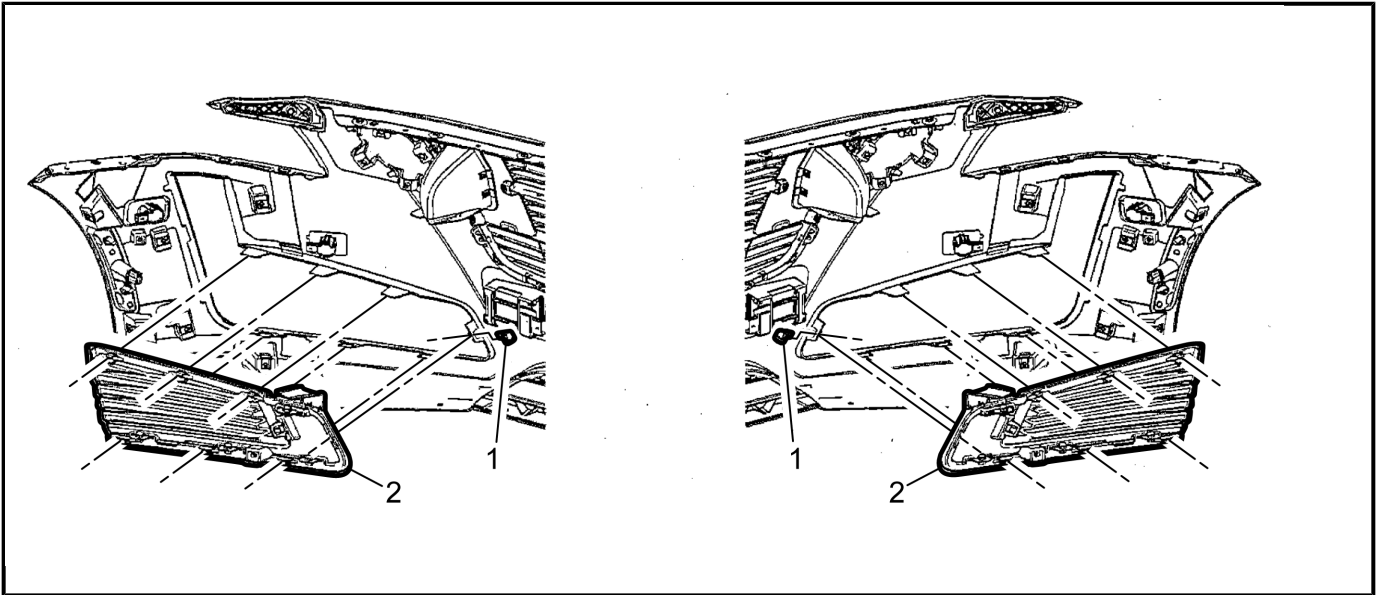


3670180

3. Compress and pull the front fog lamp opening cover retainer (1) from the locking tab.
4. Release the 6 locking tabs from the fog lamp opening cover (2) and pull from the front bumper fascia.

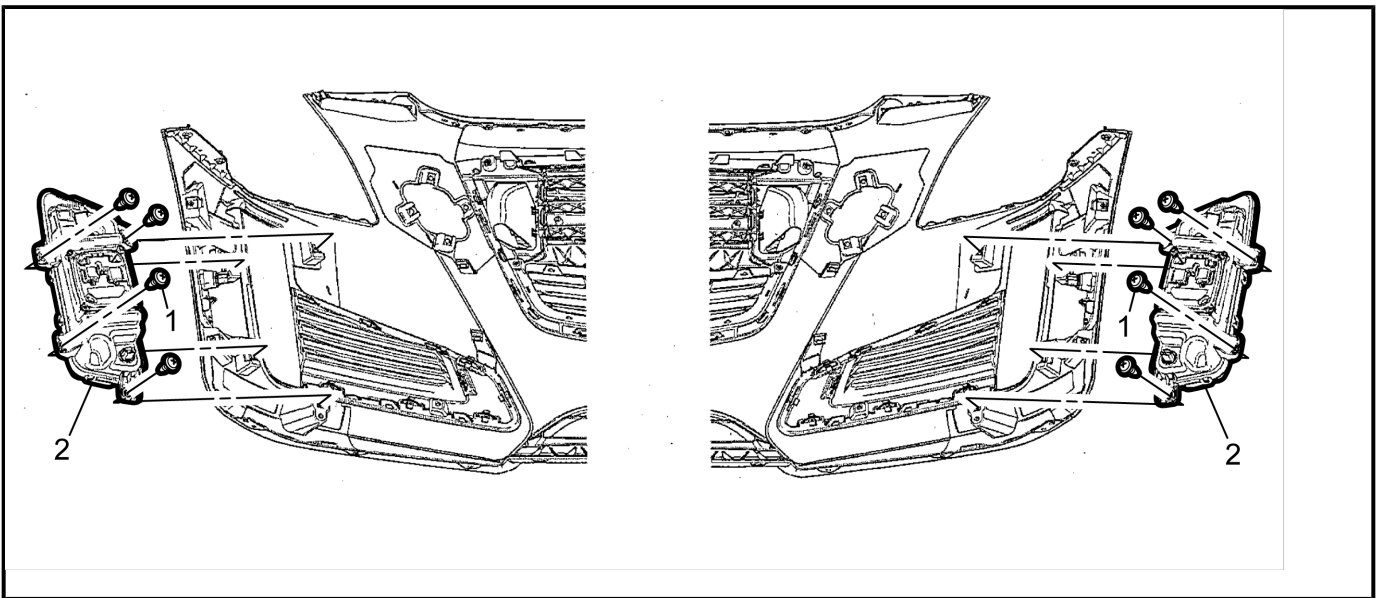
Install Accessory Front Fog Lamp Opening Cover

Note: FRONT FOG LAMP OPENING COVER IS NOT USED WITH VEHICLES EQUIPPED WITH TWIN TURBO 3.6L V6 ENGINES (LF3).



3670180

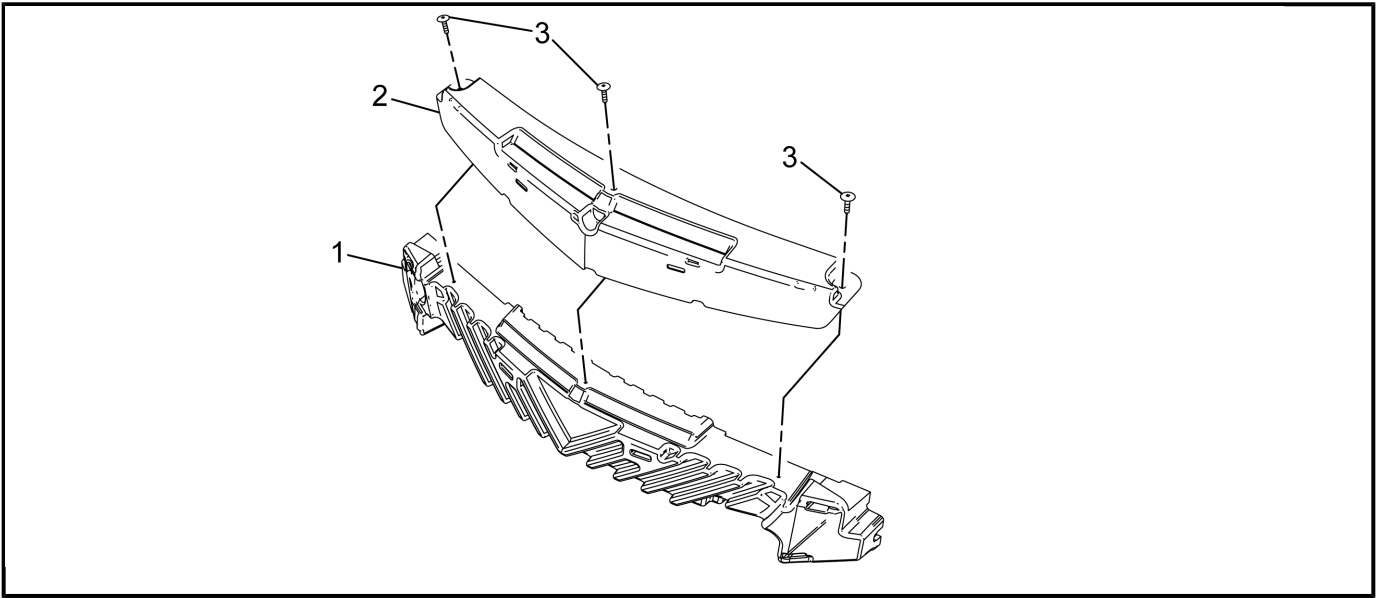
1. Install the accessory front fog lamp cover (2) to the front bumper fascia by engaging the 6 locking tabs.
2. Install the cover retainer (1) to the locking tabs.



3670179

3. Install the turn signal lamp assemblies (2) to the front bumper fascia.
4. Install the screws (1) to the turn signal lamp assemblies.
Tighten the screws to 2.5 N.m (22 lb in).

Install Accessory Front Bumper Energy Absorber Cover (if necessary)



3668790

1. Install the accessory front bumper energy absorber cover (2) to the front bumper energy absorber (1).
2. Install the screws (3) to the accessory front bumper energy absorber cover.
Tighten the screws to 0.5 N.m.
3. Reinstall all previously removed components.
4. Lower vehicle.