

**Document ID: 4379272**

# Front Grille Package Installation

## Installation Instructions Part Number

84010097

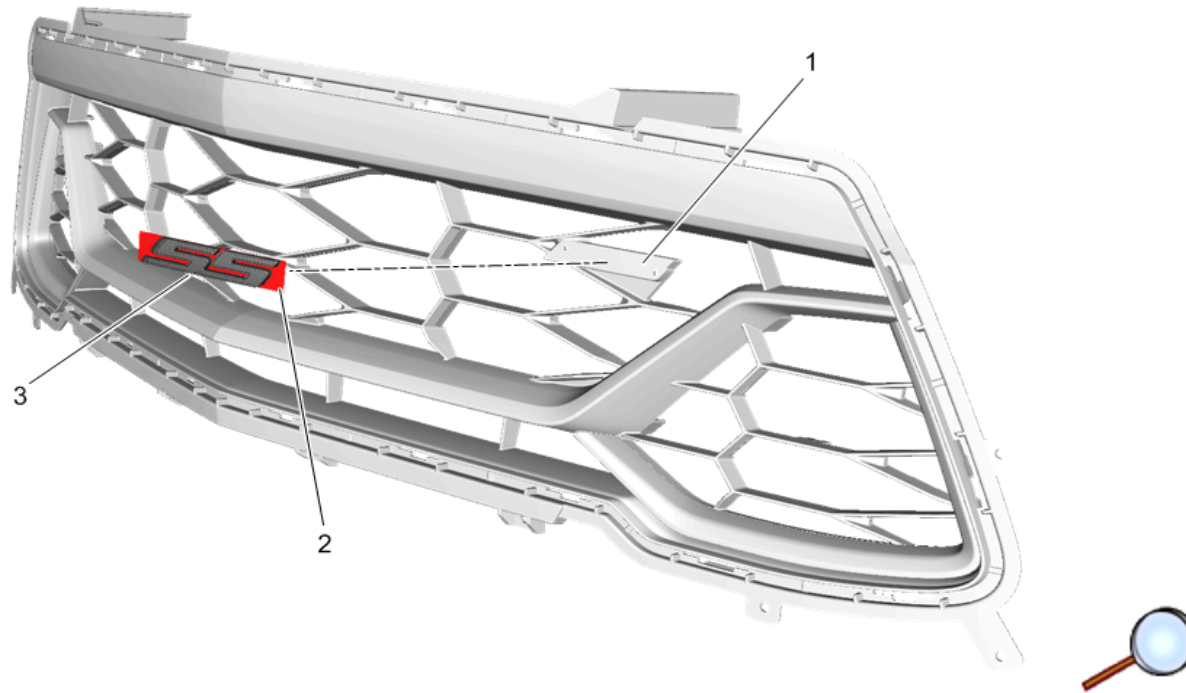
### Kit Contents

Qty	Description
1	Lower Grille
1	Grille Insert – Left
1	Grille Insert – Right
1	Attachment Package
1	Alcohol Wipe
1	Lower Deflector – Left
1	Lower Deflector – Right
1	Front License Bracket
1	Front Grille Emblem
1	Installation Instructions

## Procedure

### **SS Emblem**

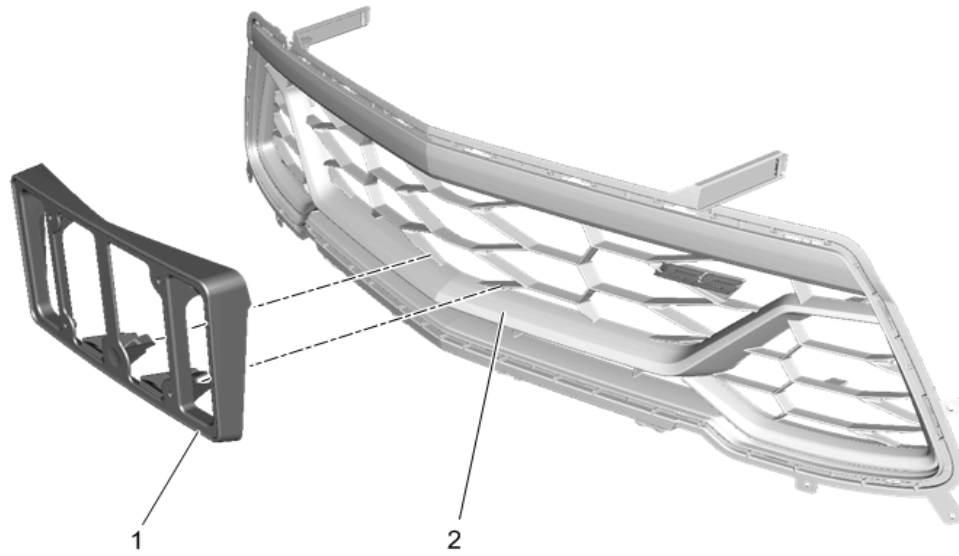
1. Remove the front bumper fascia. Refer to Vehicle Service Manual.
2. Remove the front lower grille. Refer to Vehicle Service Manual.



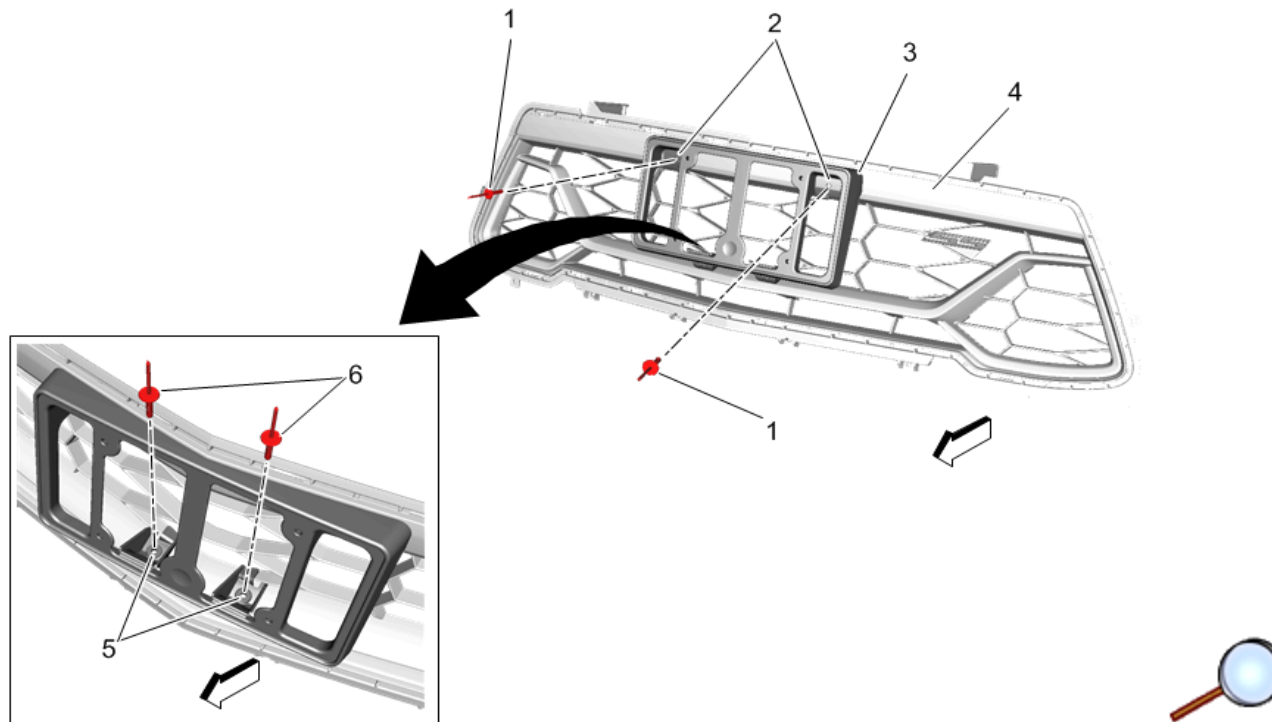
3. Using alcohol wipe, clean the front surface of the SS lower grille emblem attachment area (1).
4. Remove the adhesive liner (2) from the SS emblem.
5. Install the SS emblem (3) to the SS lower grille using the two locating pins on the SS emblem and the two holes in the SS lower grille.

**Note:** Press firmly between the two parts in order to fully wet out the adhesive.

#### **SS License Bracket (If required)**



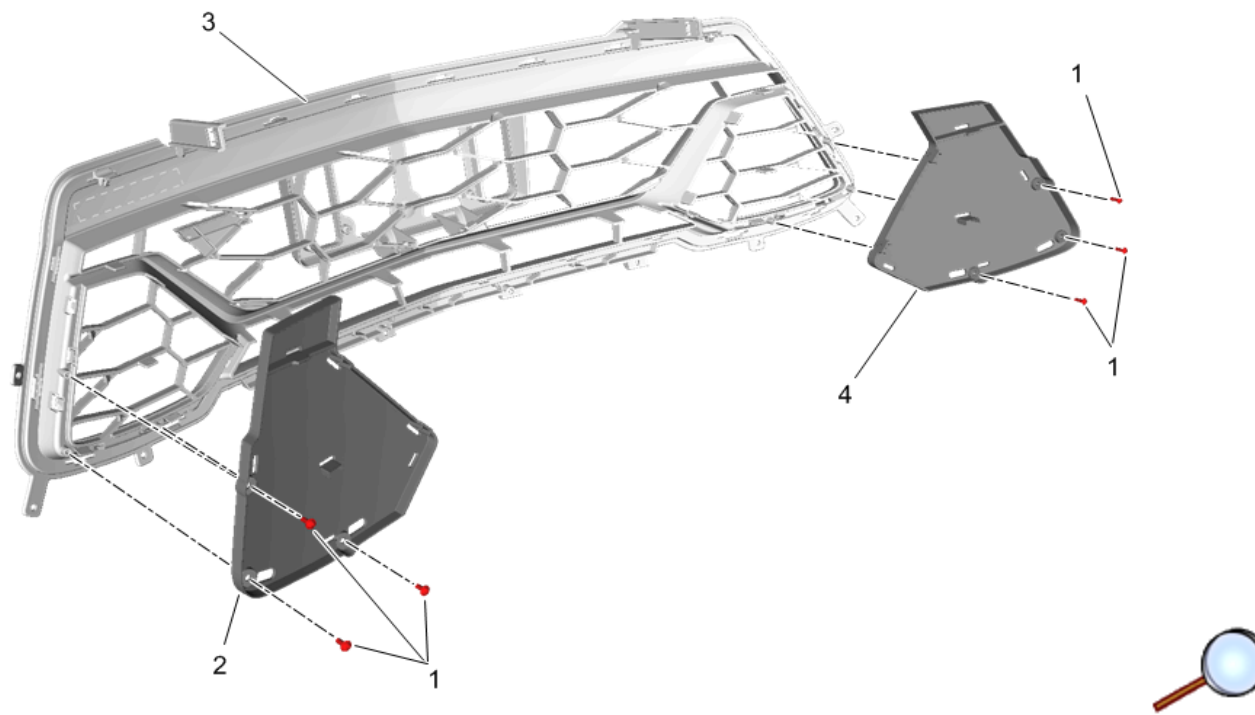
1. Position the license bracket (1) to the lower grille (2).



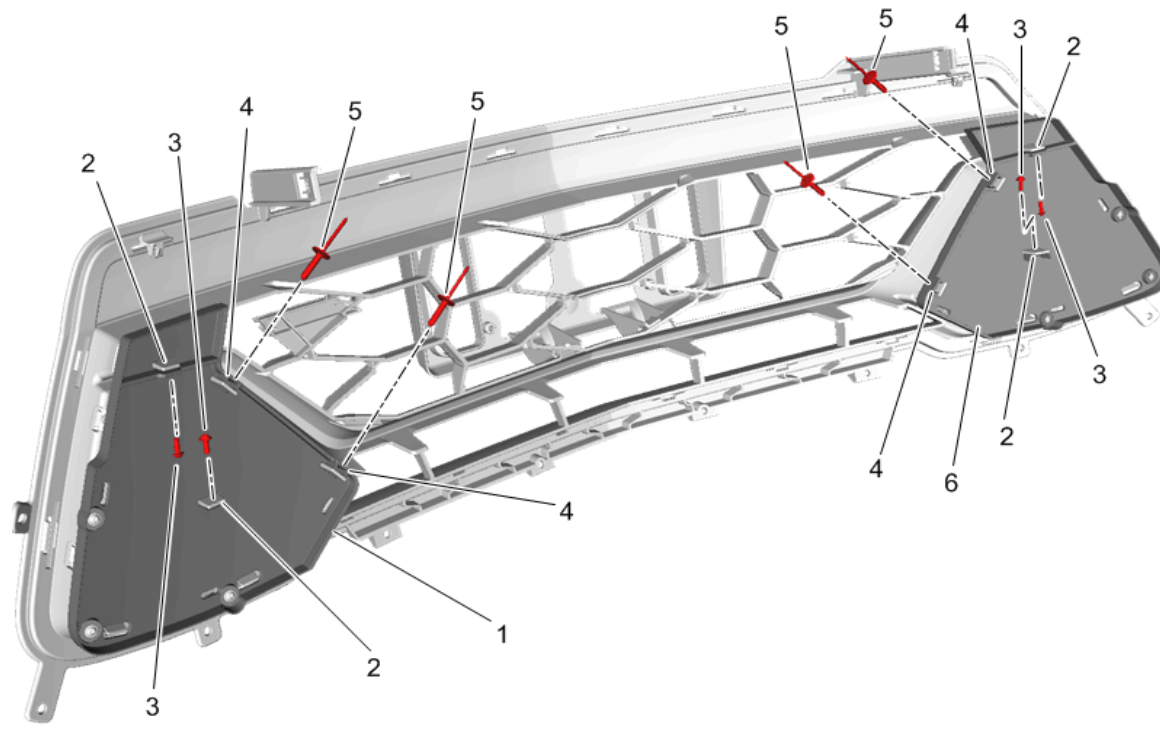
2. Using the license bracket as a template (3), drill four 5.5 mm holes into the lower grille (4) at locations (2), (5).

3. Secure the license bracket to the lower grille with the supplied rivets (1), (6).

### Lower Deflector

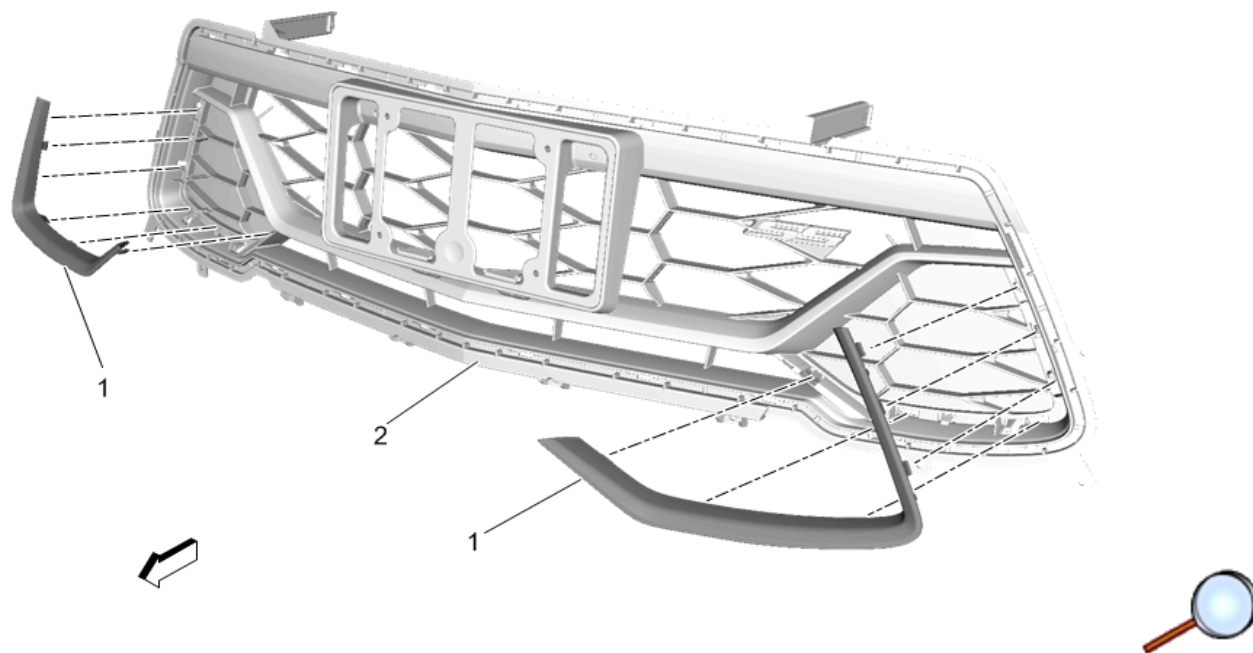


1. Position the lower deflectors (2), (4) to the lower grille (3) and install the screws (1).



2. Using a 5 mm drill bit, drill holes (4) through lower grille and deflectors (1), (6) and install supplied rivets (5).
3. Using a 3.5 mm drill bit, drill holes (2) through lower grille and deflectors (1), (6) and install supplied screws (3).

### **Painted Grille Insert**



1. Position the painted grille inserts (1) to the lower grille (2) and engage the retaining tabs.
2. Install the lower grille. Refer to Vehicle Service Manual.
3. Install the front fascia. Refer to Vehicle Service Manual.