

Document ID: 4418203

Front Grille Package Installation

Installation Instructions Part Number

84010098

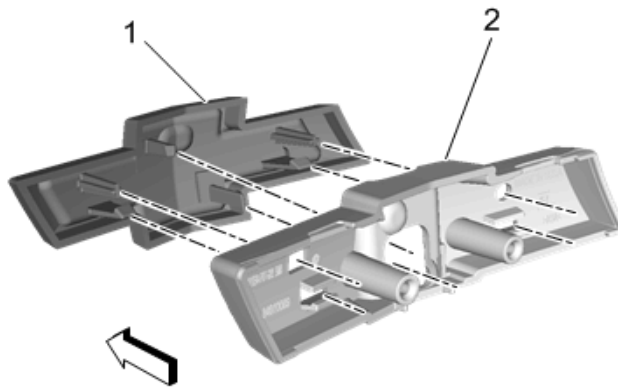
Kit Contents

Qty	Description
1	Upper Grille
1	Lower Grille
1	Bowtie Grille Emblem
1	Bowtie Grille Emblem Adapter
1	Bowtie Grille Emblem Adapter Plate
1	RS Grille Emblem
1	RS Grille Emblem Adapter
1	RS Grille Emblem Adapter Plate
1	Attachment Package
1	Solvent Package
1	Front License Bracket
1	Radiator Lower Air Deflector-Left
1	Radiator Lower Air Deflector-Right

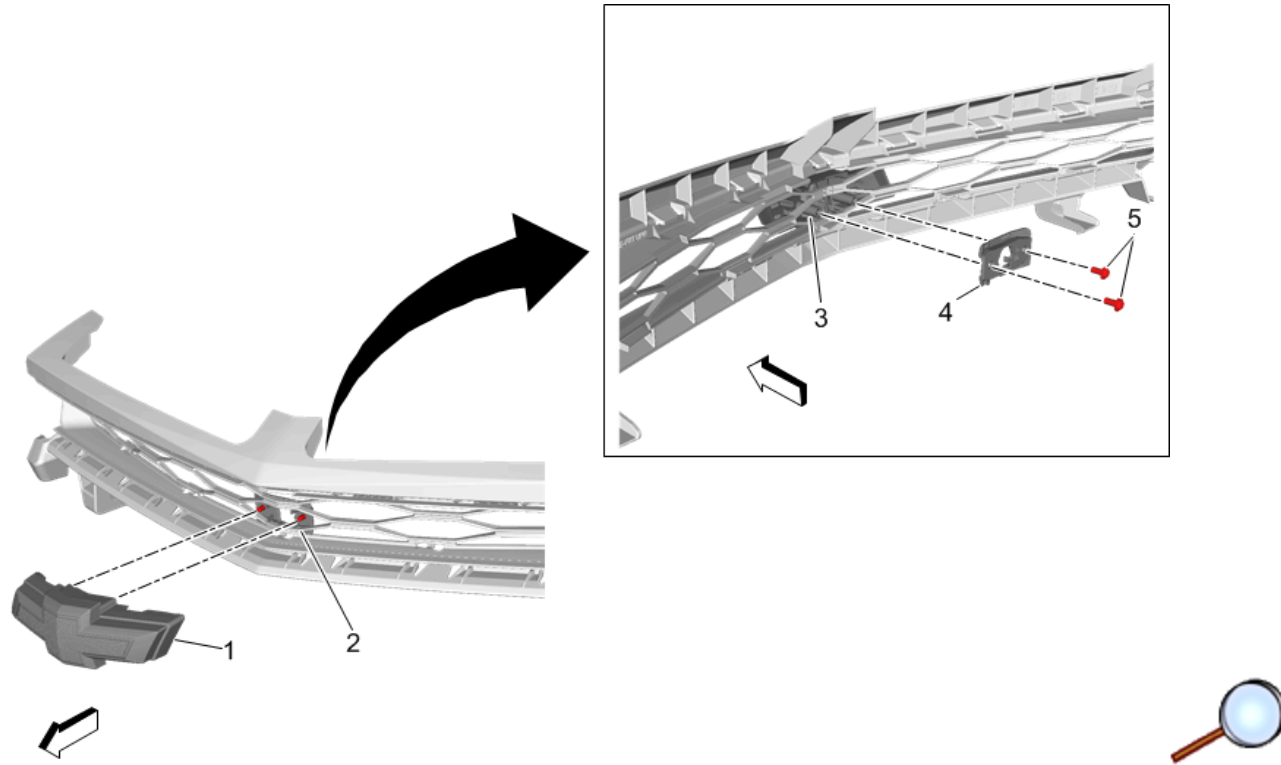
Qty	Description
1	Installation Instructions

Procedure

1. Remove the front bumper fascia. Refer to Vehicle Service Manual.
2. Remove the front upper and lower grilles. Refer to Vehicle Service Manual.
3. **Install Bowtie Emblem.**



- 3.1. Snap bowtie emblem (1) onto the bowtie emblem front grille adapter (2).

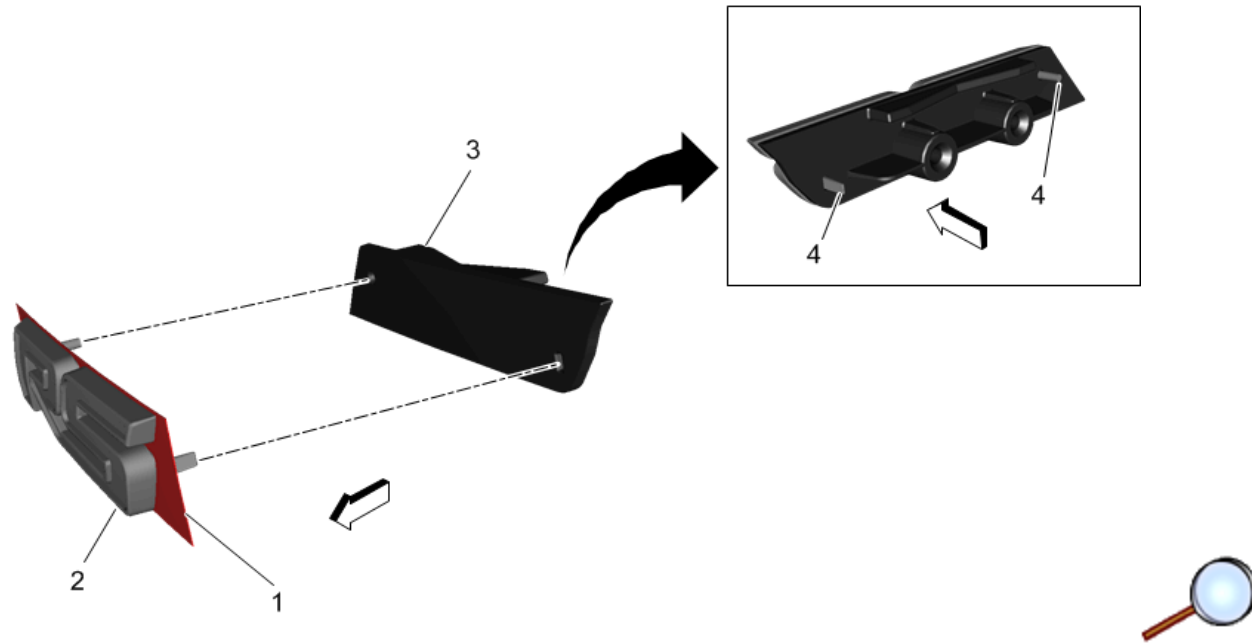


3.2. Position the bowtie emblem sub assembly (1) to the front side of the upper grille mesh (2).

3.3. Install the bowtie emblem adapter plate (4) to the rear side of emblem sub assembly using the mold-in locators (3).

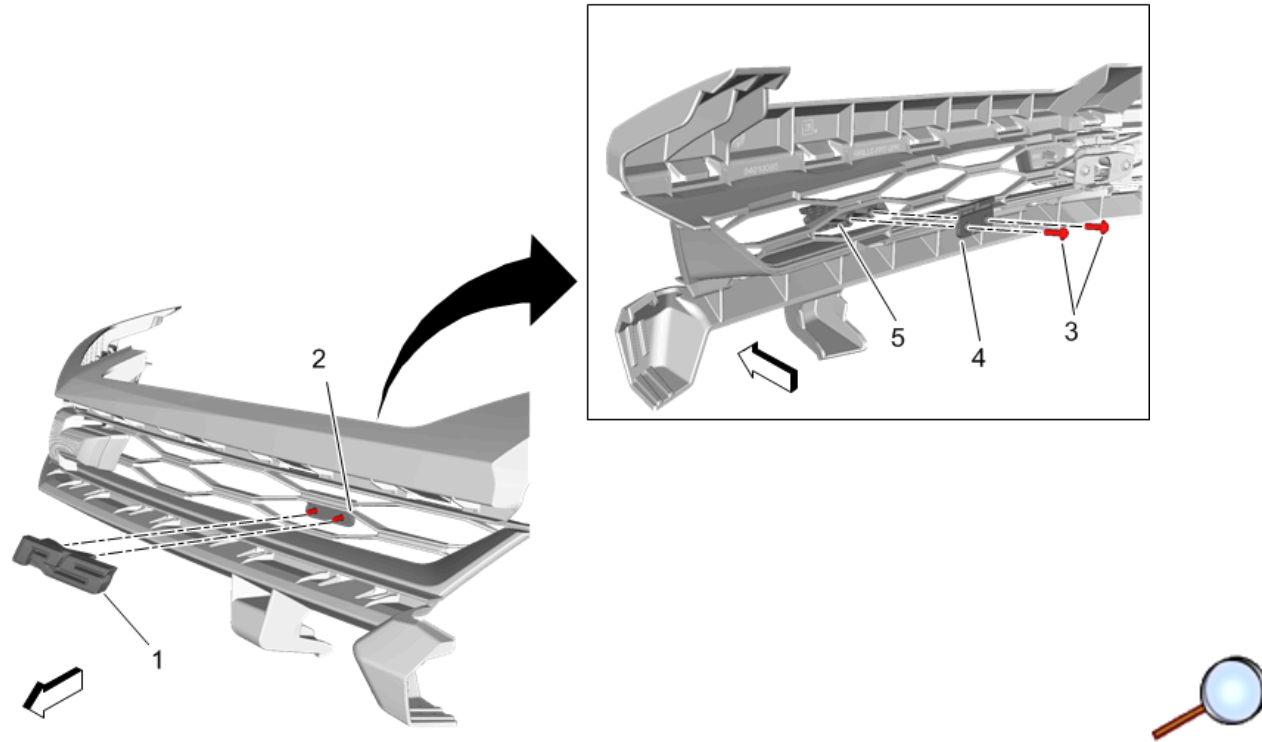
3.4. Secure the bowtie emblem adapter plate to the sub assembly with the two screws (5). Tighten the screws to 1.1 N.m.

4. Install RS Emblem.



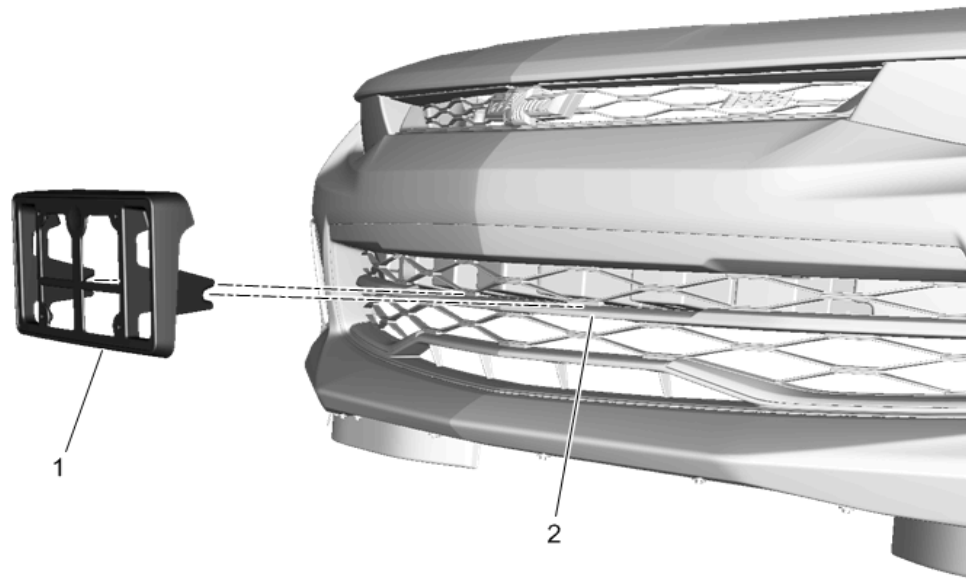
- 4.1. Using alcohol wipe, clean the front surface of the RS emblem adapter (3).
- 4.2. Apply adhesive promoter to the front surface RS emblem adapter (3) per the instructions.
- 4.3. Remove the adhesive liner (1) from the RS emblem (2).
- 4.4. Install the RS emblem (2) to the RS emblem adapter using the two locating pins on the RS emblem and the two holes in the RS emblem adapter.

Note: Press firmly between the two parts in order to fully wet out the adhesive. Break off tabs (4).

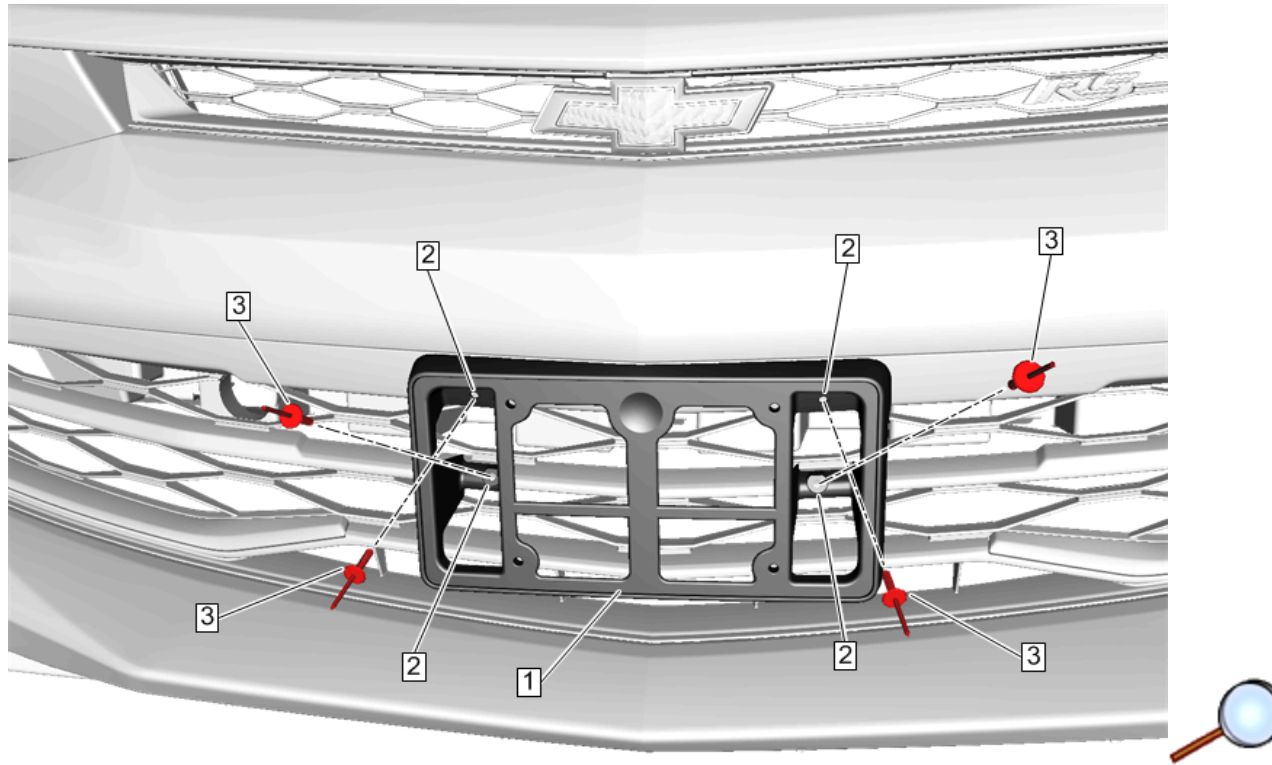


- 4.5. Position the RS emblem sub assembly (1) to the front side of the upper grille in desired location (2).
- 4.6. Install the RS emblem adapter plate (4) to the rear side of emblem sub assembly (5).
- 4.7. Secure the RS emblem adapter plate to the sub assembly with the two screws (3). Tighten the screws to 1.1 N.m.
5. Install the accessory RS upper grille assembly into the front bumper fascia. Refer to upper grille procedure in Vehicle Service Manual.
6. Install the accessory RS lower grille assembly into the front bumper fascia. Refer to lower grille procedure in Vehicle Service Manual.

RS License Bracket (If required)



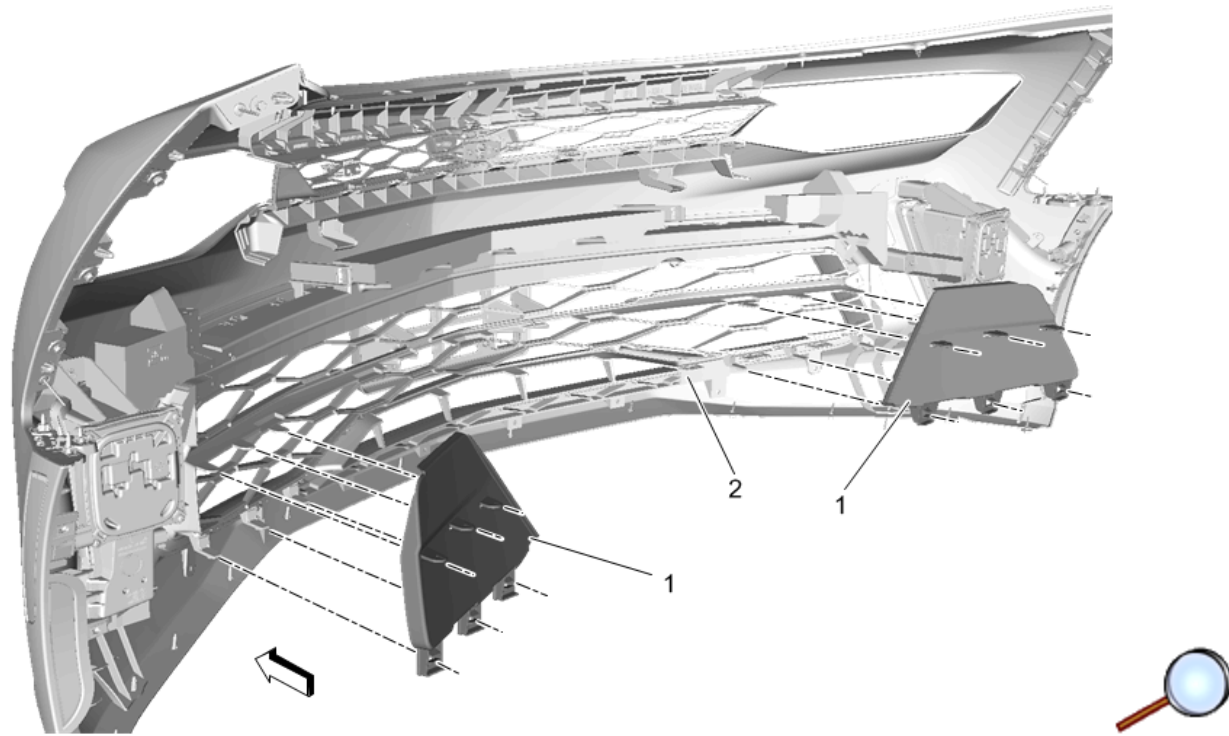
1. Position the license bracket (1) to the lower fascia (2).



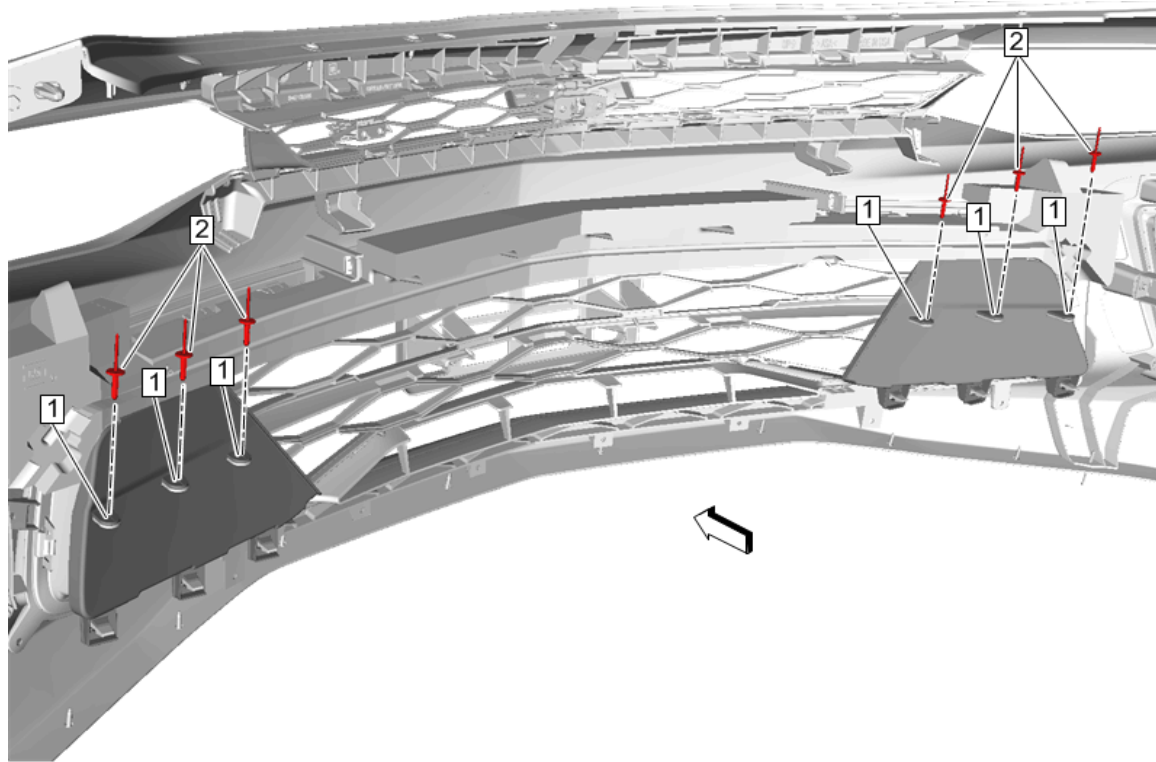
2. Using the license bracket as a template (1), drill four 5.5 mm holes at locations (2).

3. Secure the license bracket with the supplied rivets (3).

Lower Deflector



1. Position the lower deflectors (1), (4) to the lower grille (2).



2. Using a 5 mm drill bit, drill holes (1) through lower grille and deflectors and install supplied rivets (2).
3. Install the front bumper fascia. Refer to Vehicle Service Manual.