

**Document ID: 4353363**

# Front Fog Lamp Bezel Insert Package Installation

**Installation Instructions Part Number**

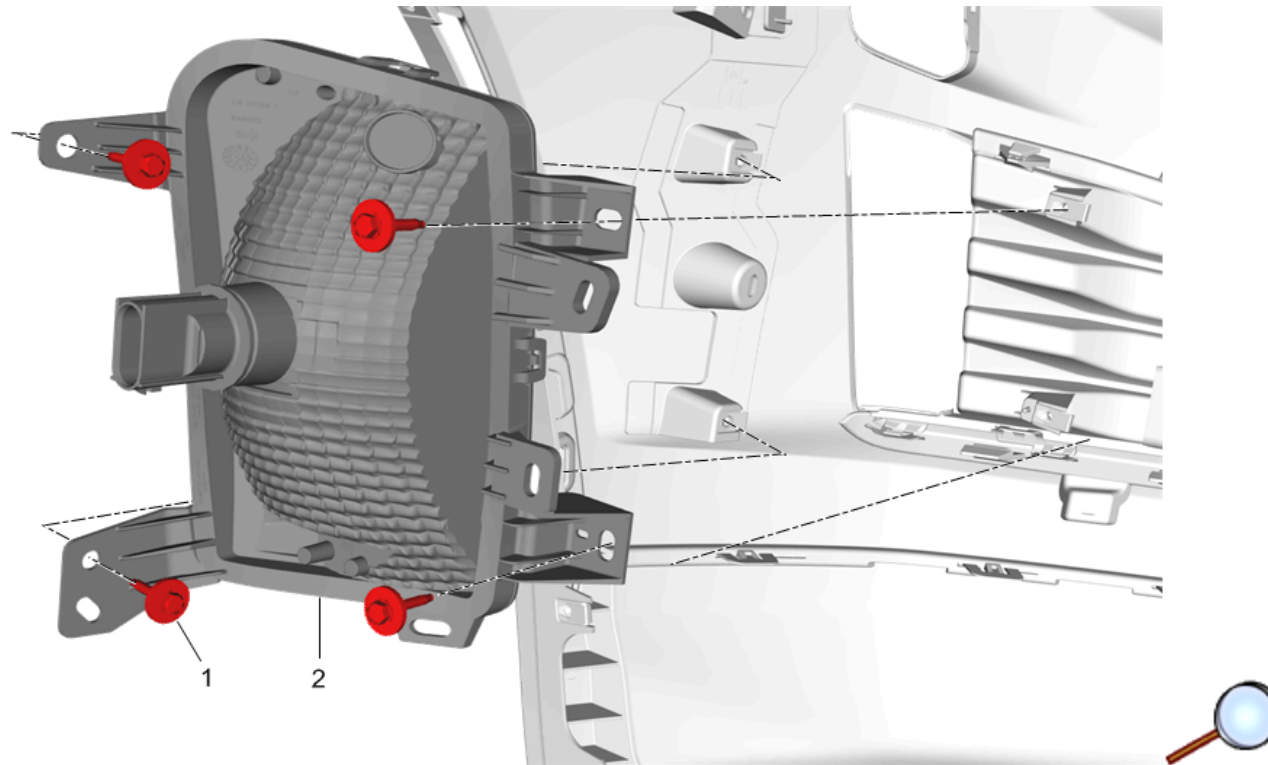
84032869

**Kit Contents**

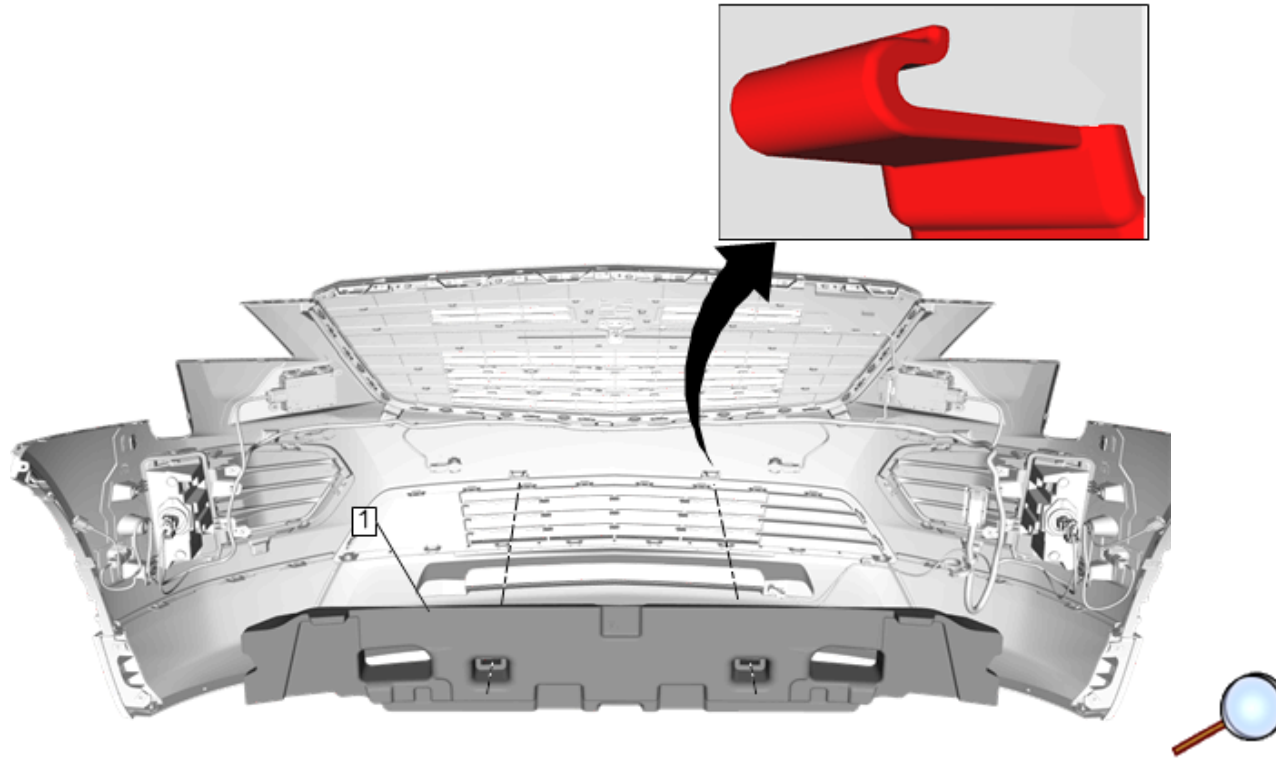
Description	Qty
Front Fog Lamp Bezel Insert – Left	1
Front Fog Lamp Bezel Insert – Right	1
Installation Instructions	1

**Procedure**

1. Remove the front bumper fascia. Refer to Vehicle Service Manual.

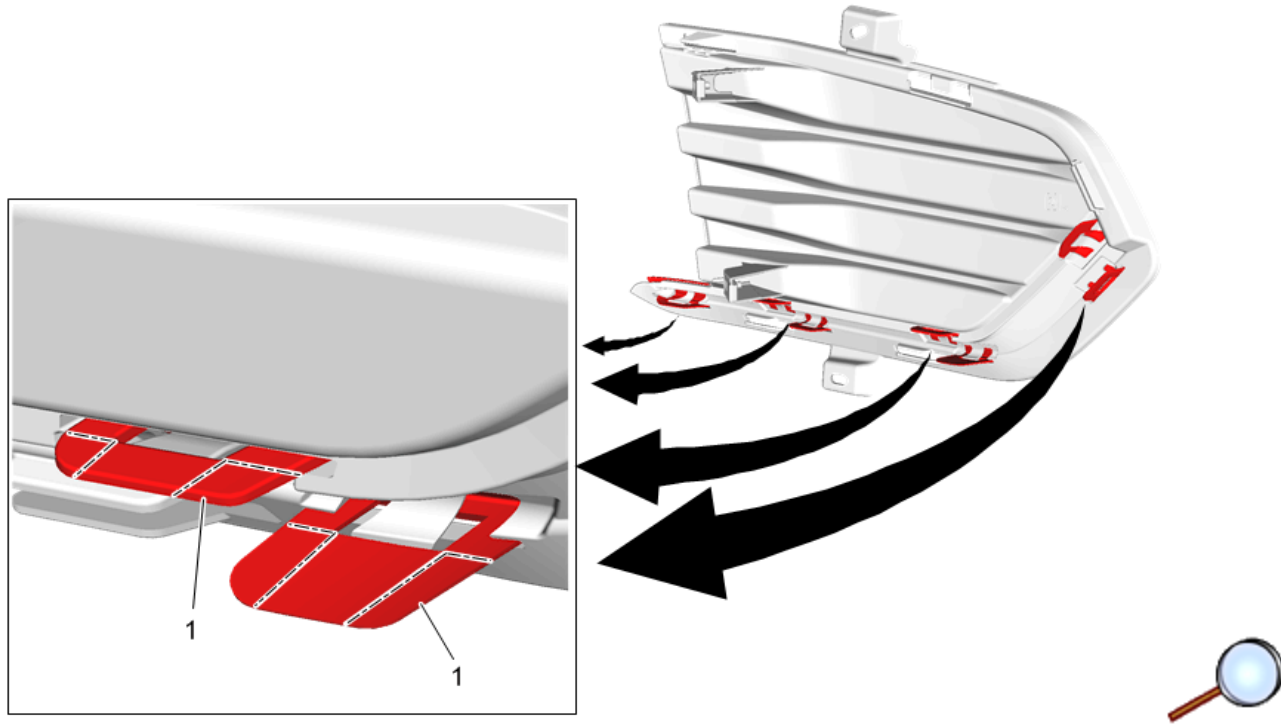


- Note:** Steps 2 and 3 are only required if unable to access the insert clips, otherwise continue on to step 4
2. Remove the front turn signal lamp bolts (1) (4x).
  3. Remove the front turn signal lamp (2).
  4. Place the front bumper fascia face down on a clean protective surface.

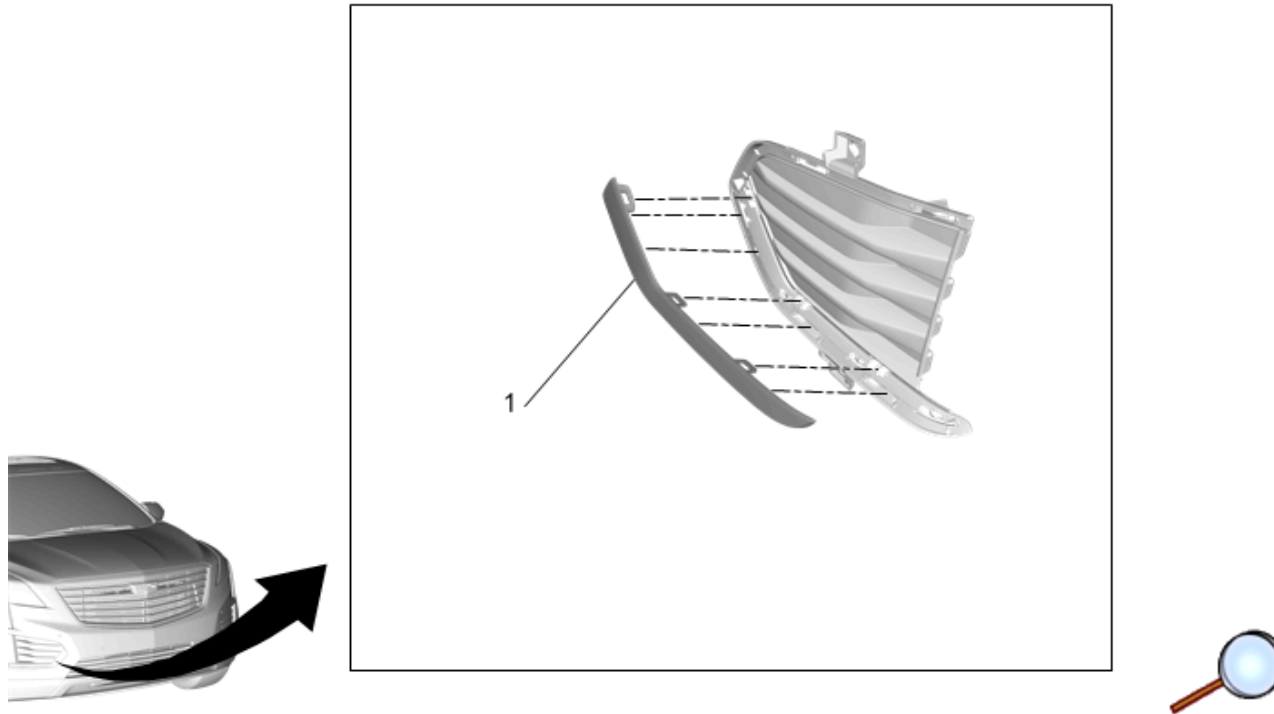


5. Reposition the front fascia wiring harness.

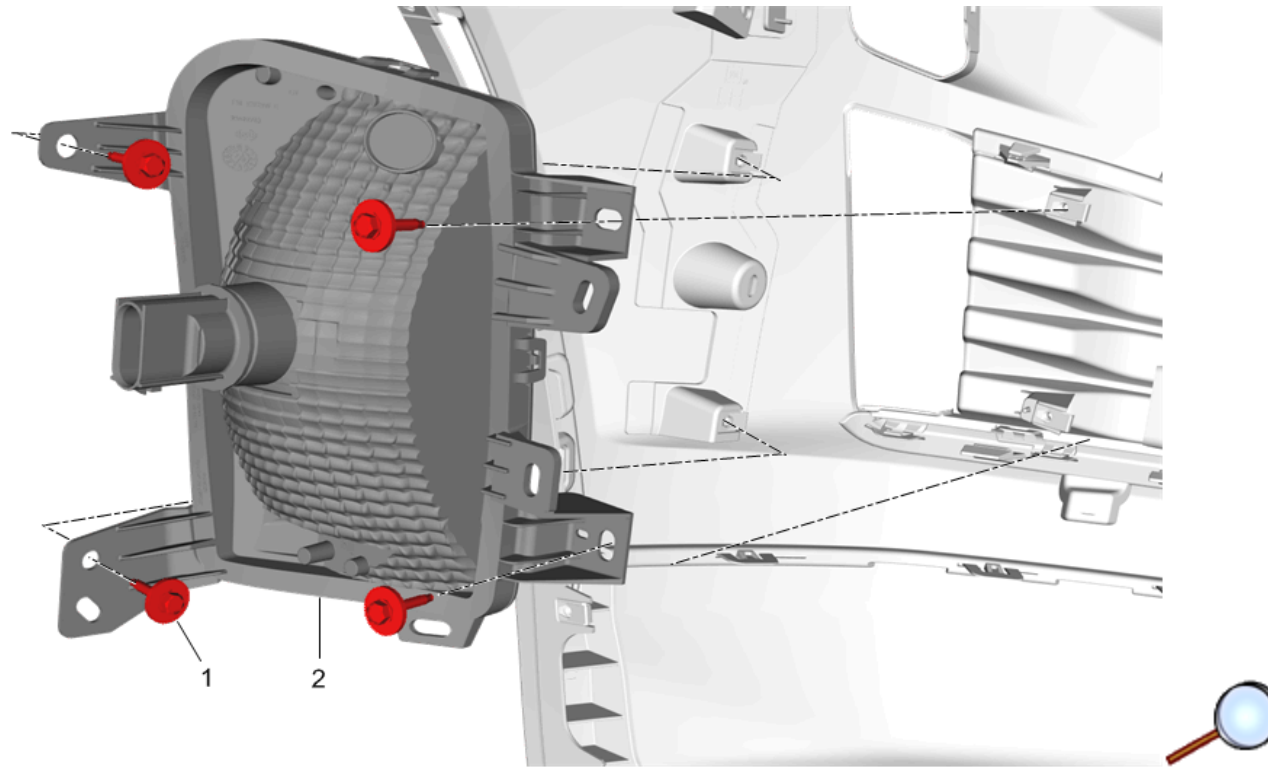
6. Release the 2 retainers and remove the front bumper fascia energy absorber (1) from the fascia.



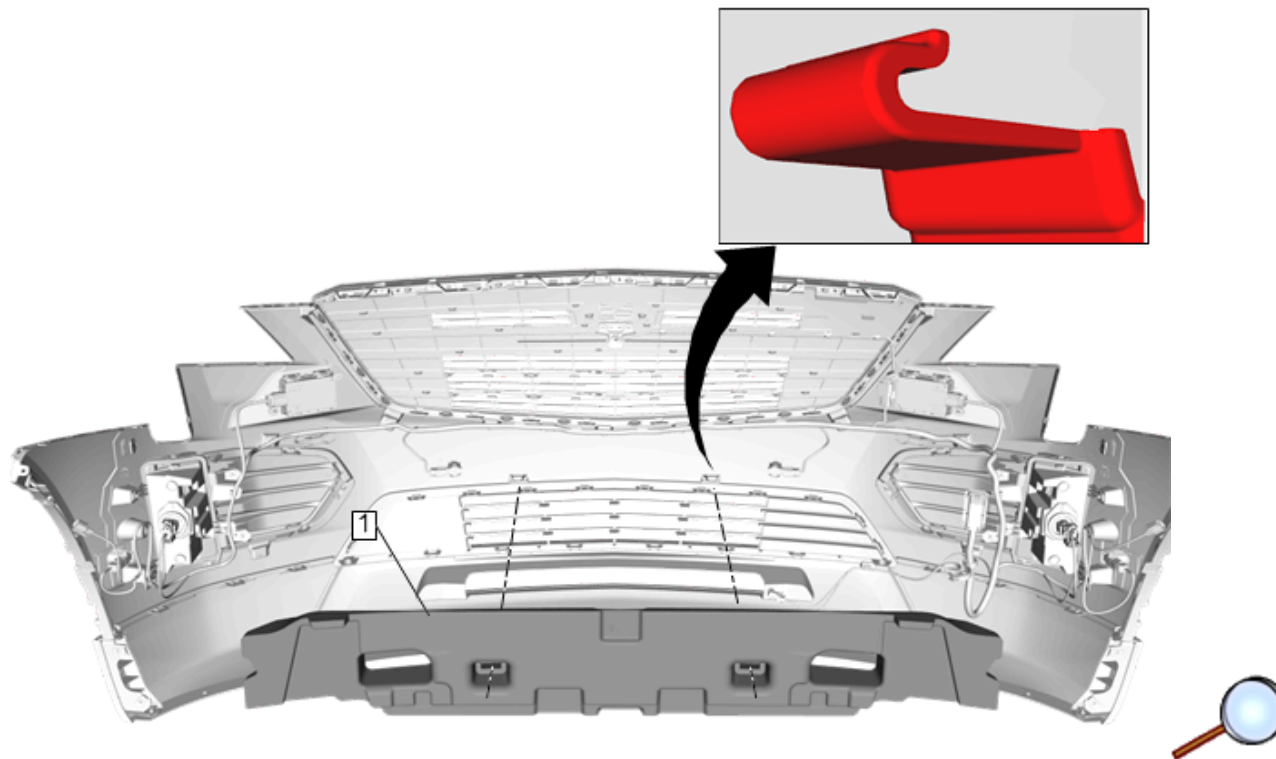
7. Using a suitable tool clip the sides of the retaining tabs (1) according to the lines shown on the front fog lamp bezel insert.



8. Push forward and remove the front fog lamp bezel insert (1) from the front fog lamp bezel.
9. Position the new front fog lamp bezel insert (1) to the front fog lamp bezel and engage the retaining tabs.



10. Install the front turn signal lamp (2) to the front fog lamp bezel, if removed.
11. Install the front turn signal lamp bolts (1) (4x), if removed. Tighten the bolts to 2.5 N.m (22 lb in).
12. Repeat procedure for other side.



13. Reposition the front fascia wiring harness.
14. Install the front bumper fascia energy absorber (1) to the fascia and engage the 2 retainers.
15. Install the front bumper fascia. Refer to Vehicle Service Manual.