

Document ID: 4587174

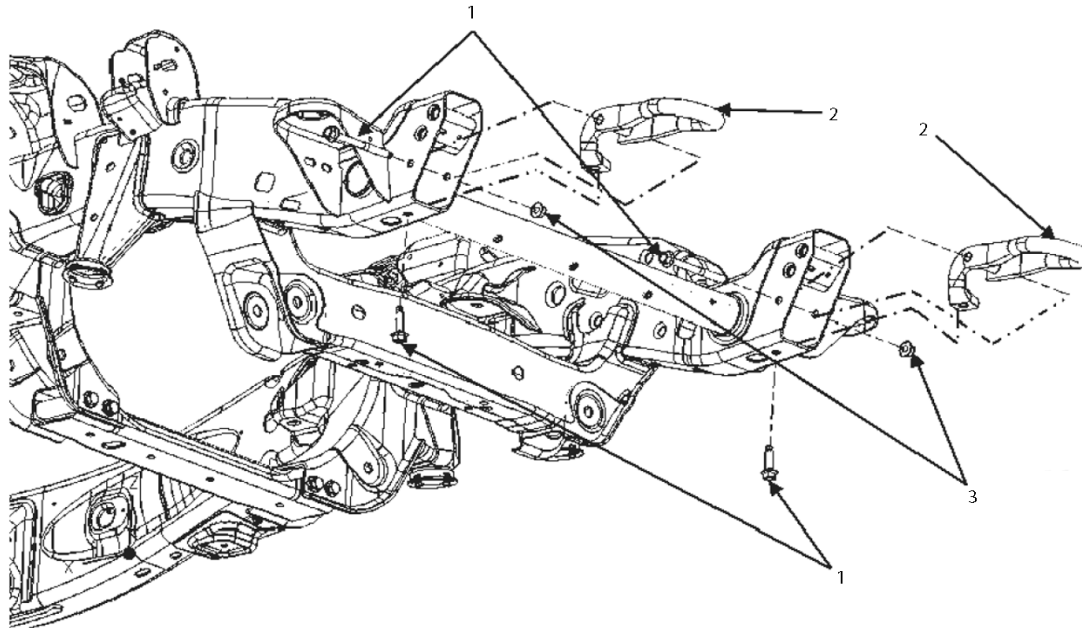
Front Tow Hook Package Installation

Installation Instructions Part Number

84126891

Procedure

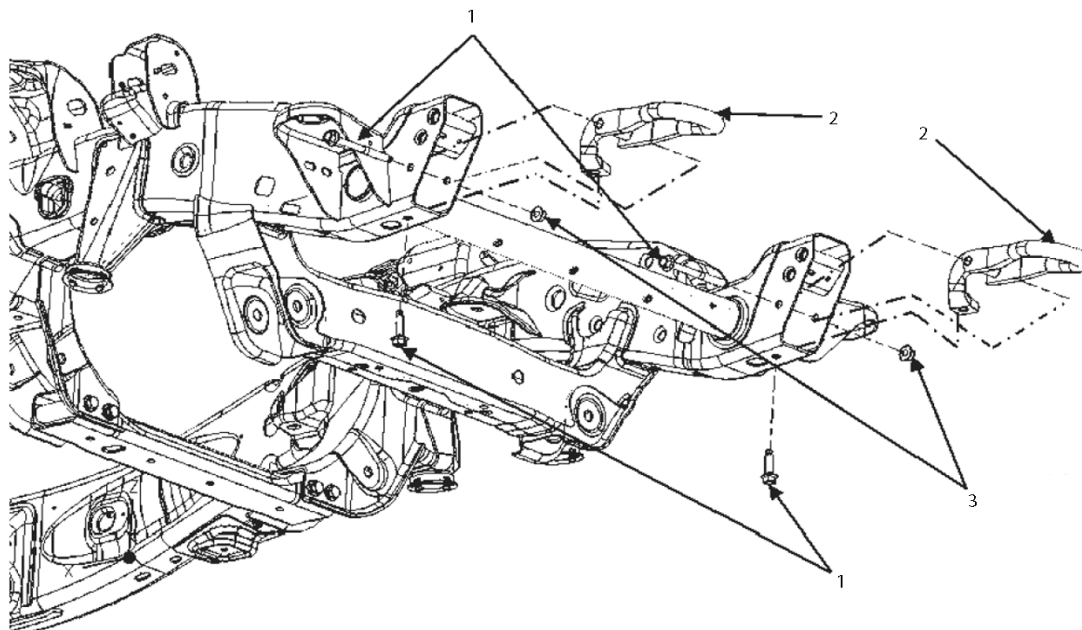
Removal



1. Remove tow hook bolts (1) and nuts (3) from the frame rail.
2. Remove the tow hooks (2) from the vehicle.

Installation





Caution: Use the correct fastener in the correct location. Replacement fasteners must be the correct part number for that application. Fasteners requiring replacement or fasteners requiring the use of thread locking compound or sealant are identified in the service procedure. Do not use paints, lubricants, or corrosion inhibitors on fasteners or fastener joint surfaces unless specified. These coatings affect fastener torque and joint clamping force and may damage the fastener. Use the correct tightening sequence and specifications when installing fasteners in order to avoid damage to parts and systems.

1. Install new tow hooks (2) to frame rail.
2. Install the bolts (1) through the frame rails and nuts (3) and tighten to **80 N.m (59 lb ft)**.