

Document ID: 4418947

Body Emblem Package Installation

Installation Instructions Part Number

84127001

Kit Contents

Qty	Description
2	Door Emblem (Z-71)
1	Installation Template
2	Alcohol Wipes
1	Installation Instructions

Tools Required

Masking Tape

Scissors

Before you start

Note: For the emblem to adhere best, the vehicle's mating surface (doors, rear compartment, etc.) should be free of damage (dents, scratches, creases, fractures, etc.).

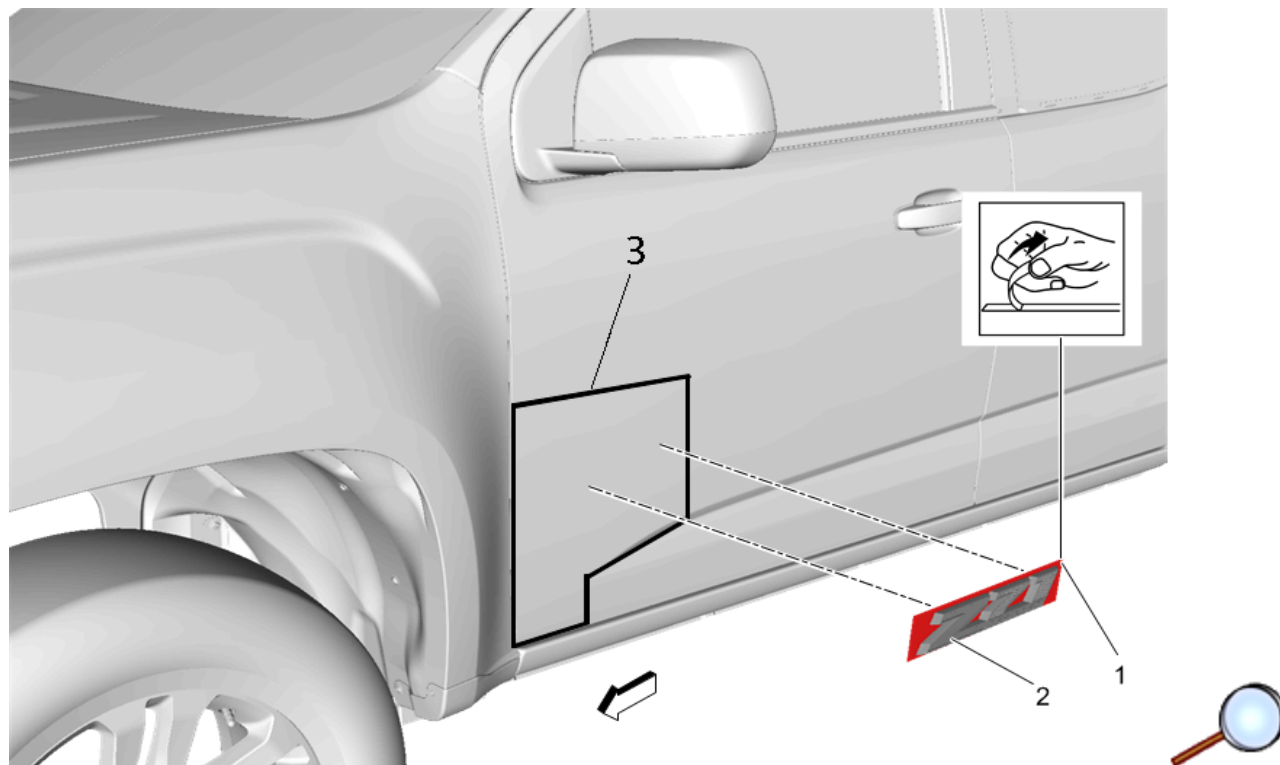
1. If a Z71 decal exists on the pick-up box, and if this is a Midnight Edition vehicle, remove by performing the following:
 - 1.1. Use a heat gun or hair dryer to loosen the adhesive.
 - 1.2. Using fingernails (no other tools are permitted), lift a corner of the decal and start peeling it back, working slowly.
 - 1.3. After decal is removed, use an automotive-grade cleaning solvent, or isopropyl alcohol, to clean the residual adhesive from the paint surface. Dry wipe with a clean lint-free towel.
2. If a door Colorado nameplate exists on the vehicle door, remove by performing the following:
 - 2.1. Apply masking tape around existing nameplates.

Caution: Refer to [Exterior Trim Emblem Removal Caution](#).
 - 2.2. Use a heat gun or equivalent to remove the Colorado nameplate. Use a plastic flat-bladed tool to assist in removal.

© 2018 General Motors. All rights reserved.

- 2.3. Remove masking tape and clean surface using an automotive-grade cleaning solvent, or isopropyl alcohol, to clean the residual adhesive from the paint surface. Dry wipe with a clean lint-free towel.
3. The part and surface should be 21°C (70°F) prior to installation. The vehicle should remain 21°C (70°F) for one hour after assembly to allow adhesive to develop sufficient bond strength.
4. Wash the vehicle mating surfaces (doors) with a non-petroleum based cleaning product. If a stronger cleaner is required to remove any contaminants, use 3M general purpose Adhesive Cleaner (P/N 08984). Then, thoroughly dry with a soft clean lint-free cloth.

Procedure



1. Cut out Mylar installation templates (3) following dashed line border as indicated on the template sheet.

Note: There is a specific Drivers' Side door template and a specific Passenger Side door template. Both need to be cut out and utilized during this installation.

2. Align the supplied Driver's side template to the door using the bottom edge of the door and the edge of the door to fender. Secure template in place using masking tape.
3. Using the supplied alcohol wipe, wipe the area of the door where the emblem (2) will be installed. Wipe surface dry with a clean lint-free towel.

4. Take one of the packaged emblems and peel the protective liner (1) from the adhesive backing. Be careful not to touch the tape with hands and do not allow tape to come in contact with dirt or any foreign matter prior to adhesion.

Important: The adhesive will bond quickly to the paint. In the event that the emblem should be mis-aligned after installation, do not attempt to remove the emblem as this will cause paint damage. To avoid mis-alignment, do not drop the emblem into place. Instead, first align the bottom and side edges of the emblem lettering to the template. Then, toggle the emblem into place.

5. Using the palm of the hand (or an applicable roller with approximately 10 lbs of pressure), firmly press on the emblem to ensure full adhesion to the mating surface. Push along top and lower edges in addition to the center of the emblem.
6. Repeat the same procedure for the remaining emblem, using the passenger side template and remaining emblem.