

Document ID: 4606217

Body Emblem Package Installation

Installation Instructions Part Number

84257447

Kit Contents

Qty	Description
1	Illuminated Emblem
1	Wire Harness
6	Tie Strap – Wiring Harness
1	Installation Instructions

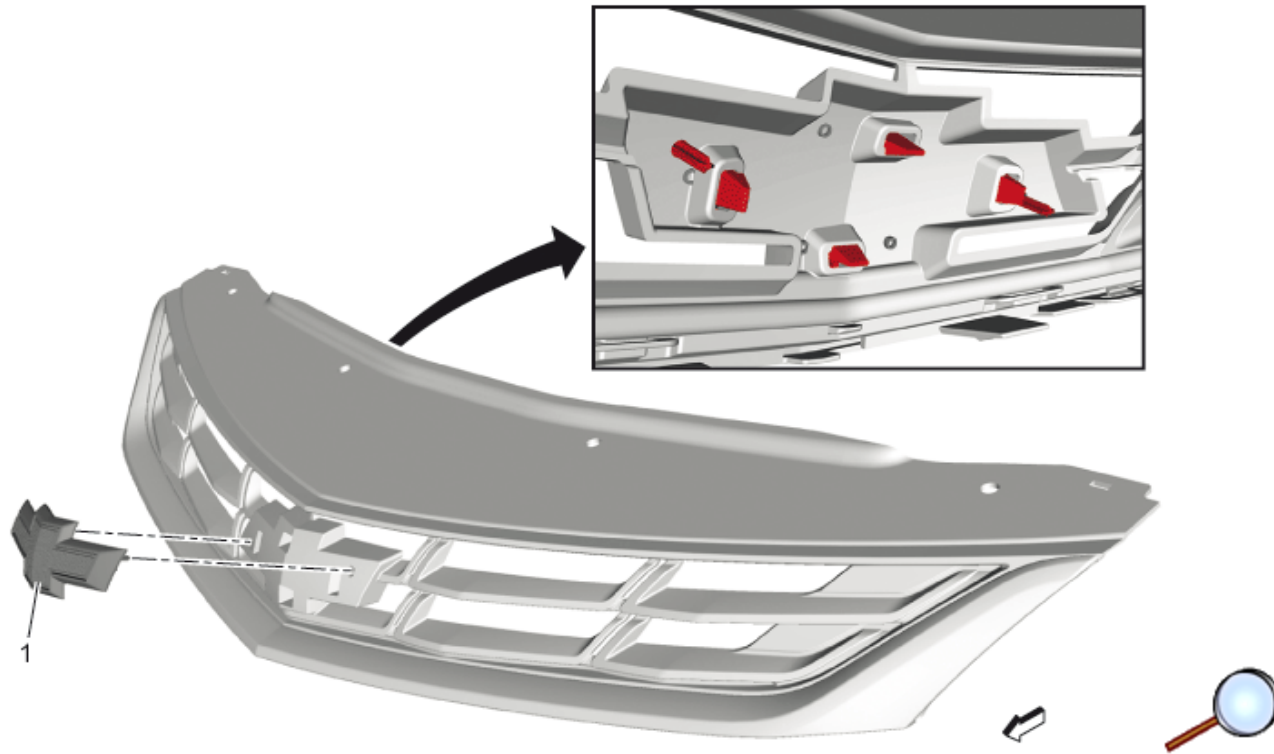
Required / Recommended Tools

Drill Motor

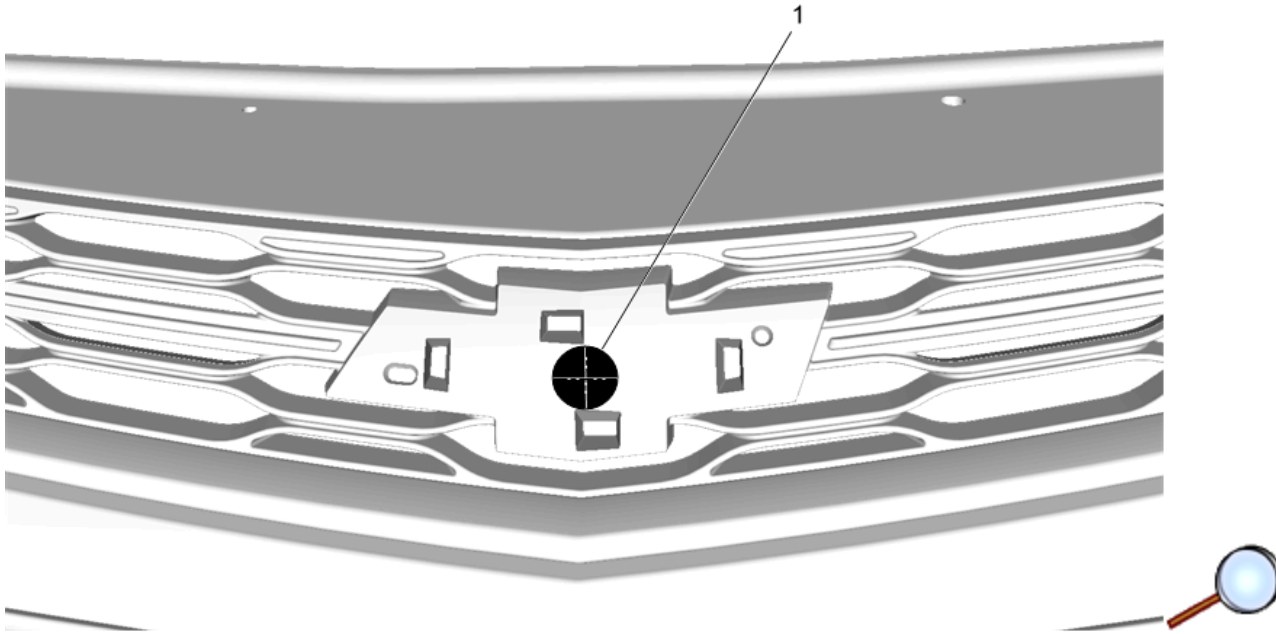
1 1/8" Hole Saw

Procedure

1. Read all instructions before performing procedure.
2. Inspect kit to verify all parts are included.
3. Turn off the vehicle.
4. Remove the front fascia. Refer to Vehicle Service Manual.

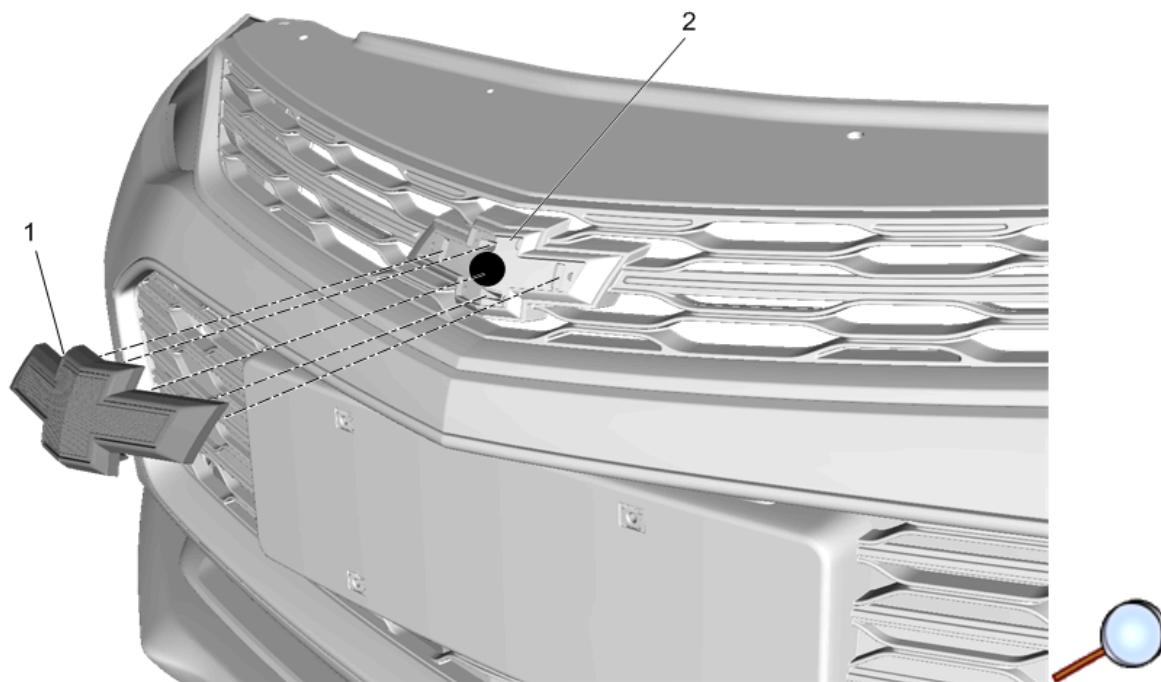


5. Remove the front emblem (1) by disconnecting the retaining tabs on the backside.

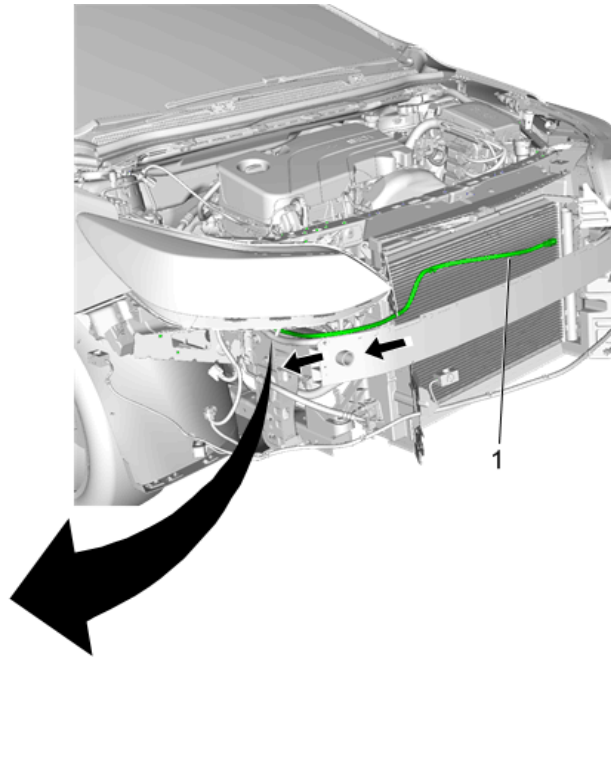
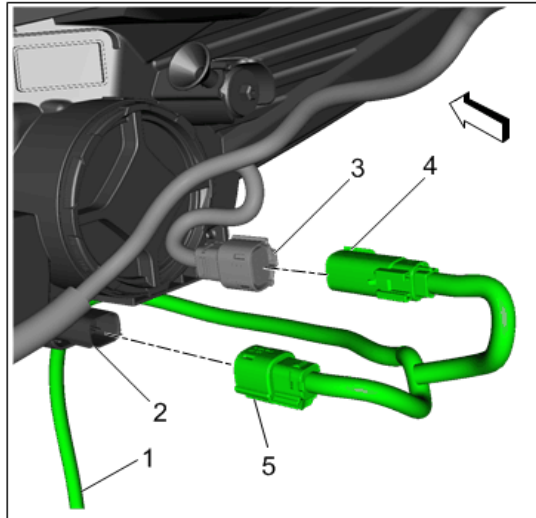


Caution: Always check scale, size and position before drilling. Failing to do so may cause damage to the vehicle, misalignment of components or the inability to install the accessory.

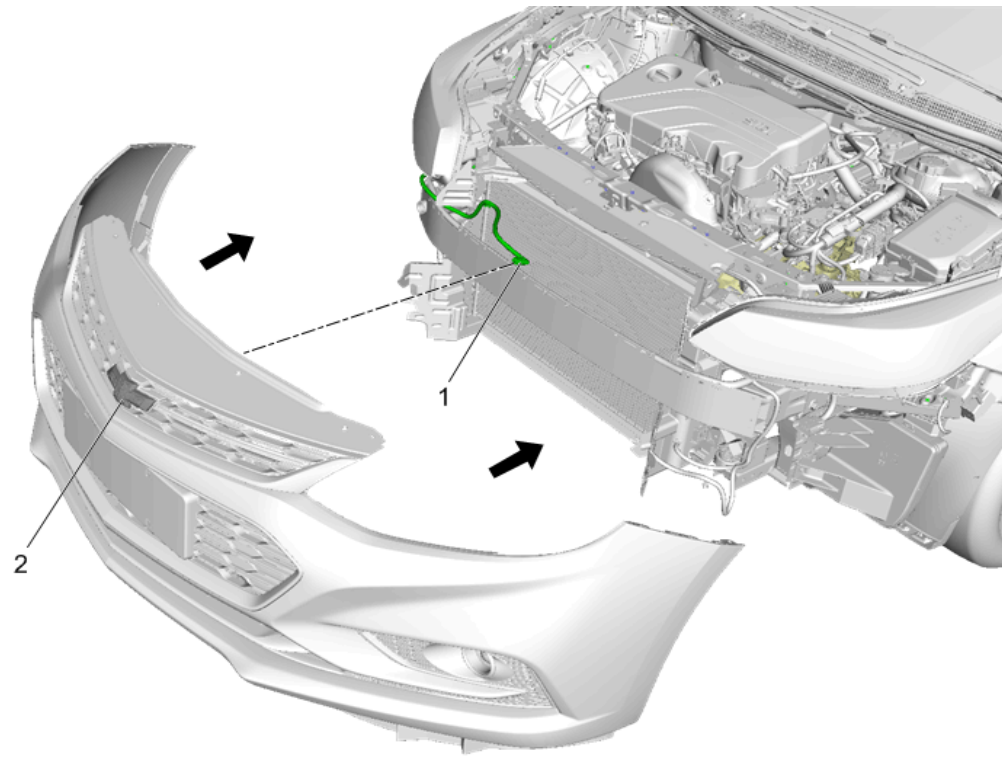
6. Drill/cut a 1 1/8" opening in the upper grille assembly using the scribe lines on the grille assembly as a guide. Center the hole with the cross-hair scribe line (1). Do not exceed the outer scribe line boundary.



7. Install the illuminated emblem from kit (1) to the grille (2) by engaging the retaining tabs on the backside.
8. Remove air cleaner assembly. Refer to Vehicle Service Manual.



9. Obtain harness package from kit and route harness assembly (1) below passenger headlamp to headlamp harness on the passenger side of the vehicle.
10. Disconnect passenger headlamp connector (3) from headlamp (2) and connect to jumper connector (4) of emblem harness.
11. Attach emblem harness connector (5) to the passenger headlamp (2).
12. Use provided tie straps to secure wire harness into place.
13. Install air cleaner assembly. Refer to Vehicle Service Manual.



14. Connect the other end of harness single connector (1) to the illuminated emblem (2).
15. Install the front fascia. Refer to Vehicle Service Manual.