

Document ID: 4861942

Inside Rearview Mirror Package Installation

Installation Instructions Part Number

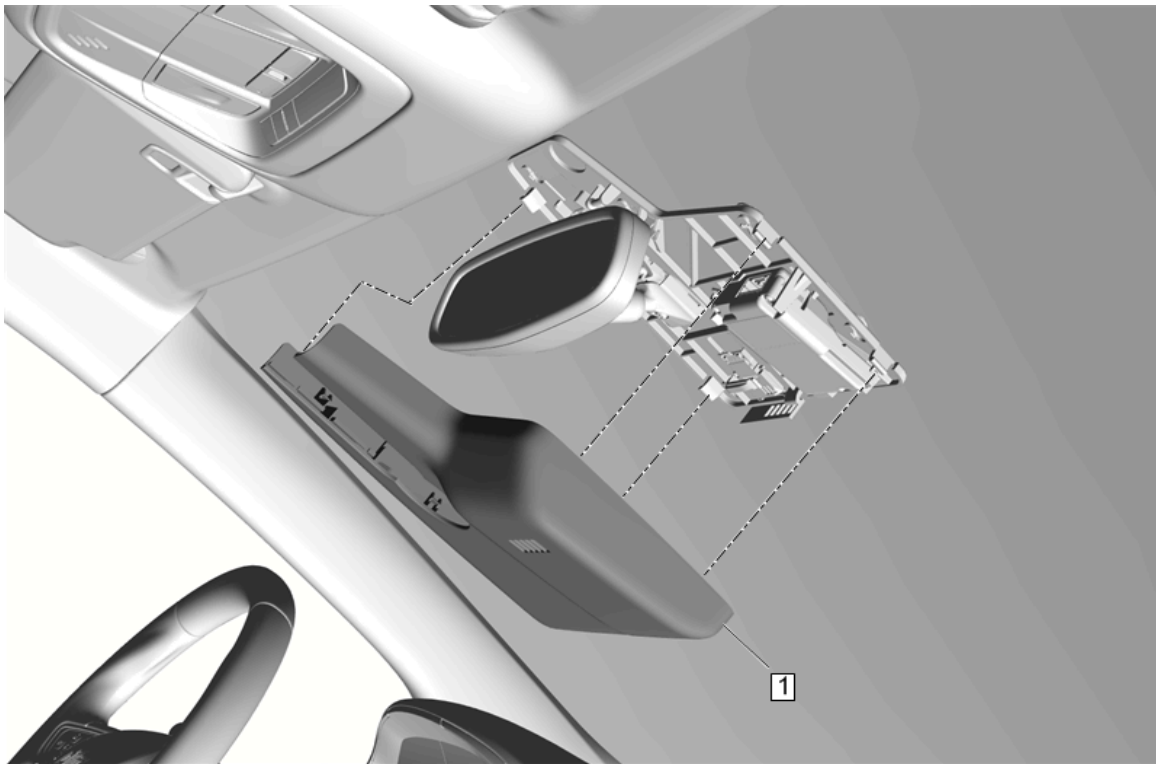
84350236

Kit Contents

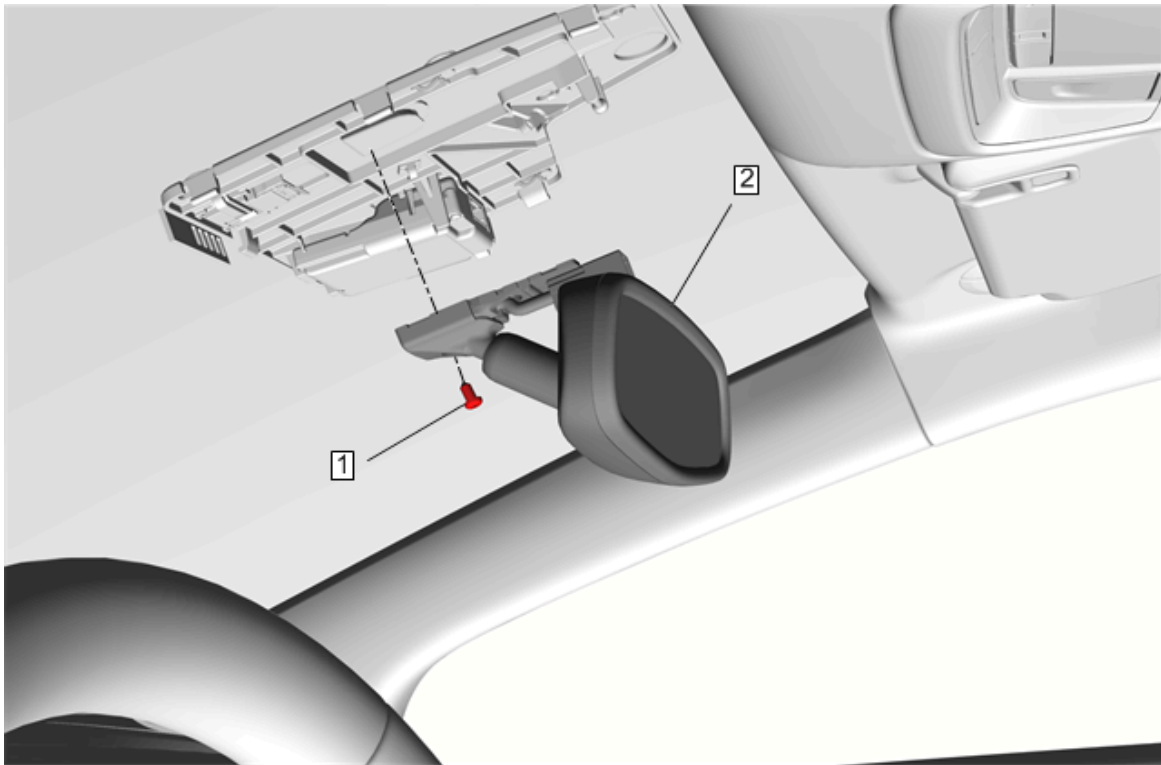
Qty	Description
1	Inside Rearview Mirror
1	Instruction Sheet

[Procedure](#)

Remove Mirror

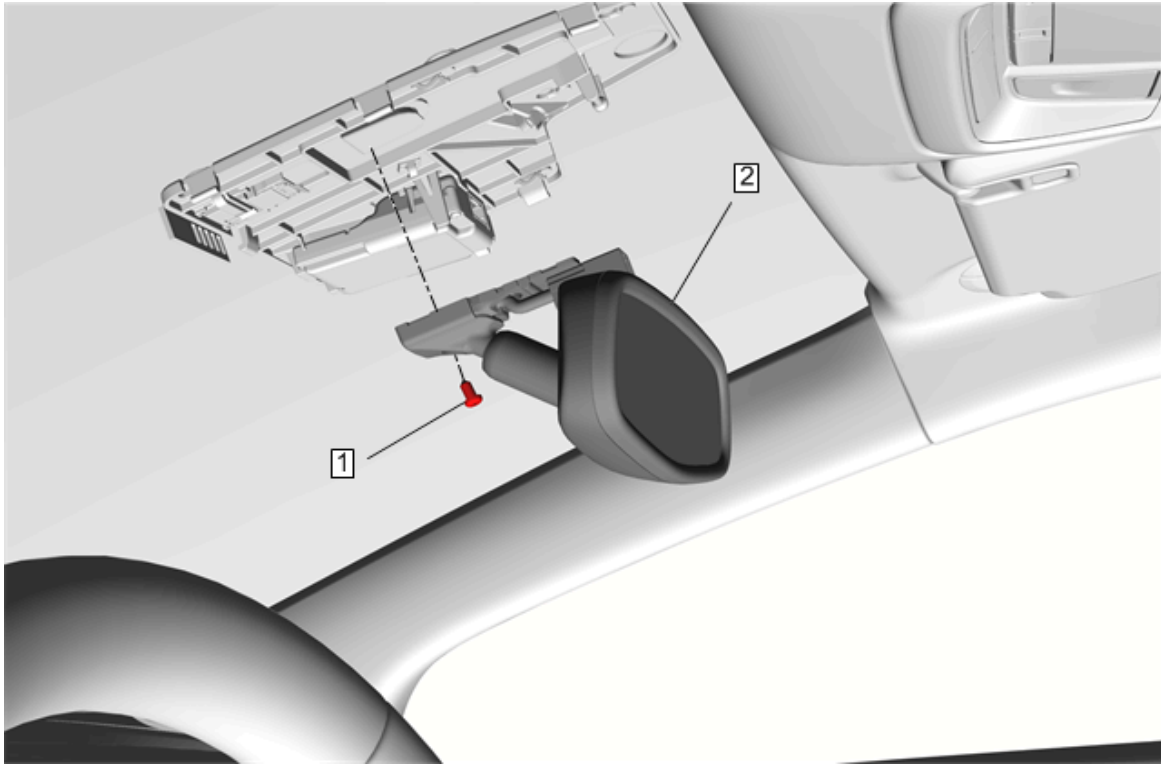


1. Using a plastic trim tool, carefully pry downward on the sides of the bracket lower cover (1) to release from the window.



2. Adjust the mirror to the full upward position.
3. Loosen the set screw (1) located at the base of the mirror.
4. Slide the mirror (2) upward off the rearview mirror button.

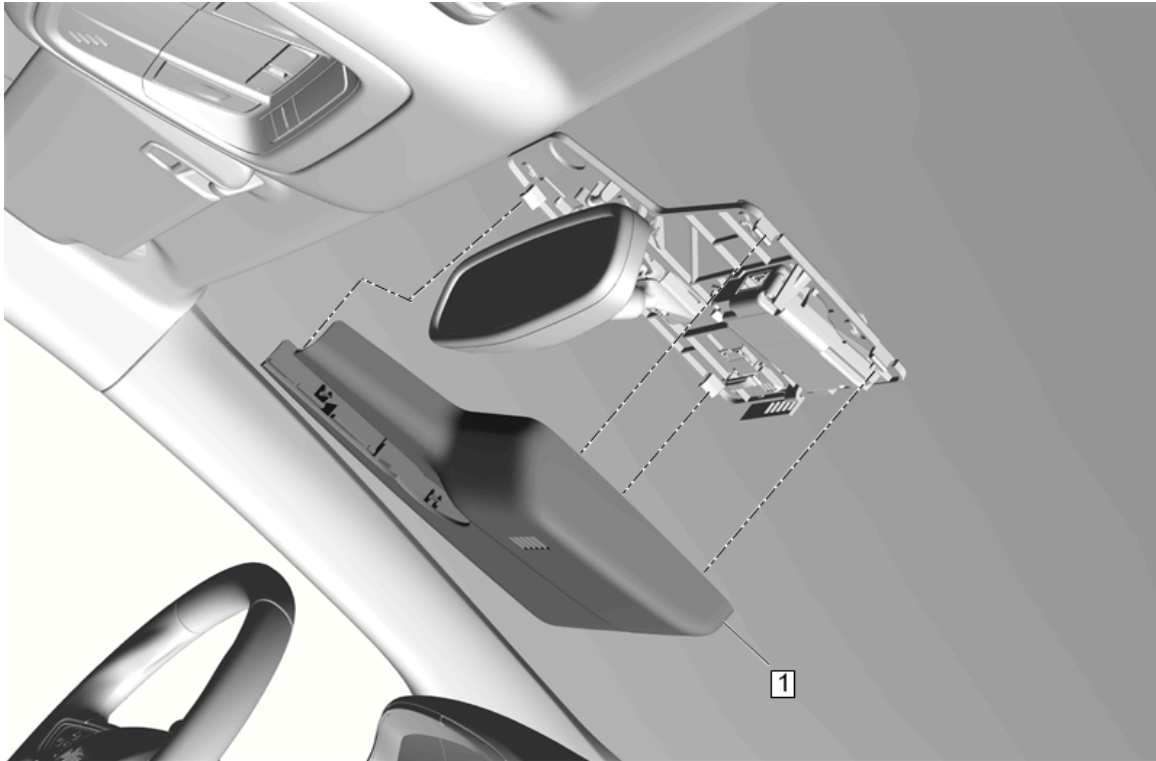
Install Accessory Mirror



1. Position the Accessory Mirror (2) in the full upward position to the rearview mirror button and slide downward.

Caution: Use the correct fastener in the correct location. Replacement fasteners must be the correct part number for that application. Fasteners requiring replacement or fasteners requiring the use of thread locking compound or sealant are identified in the service procedure. Do not use paints, lubricants, or corrosion inhibitors on fasteners or fastener joint surfaces unless specified. These coatings affect fastener torque and joint clamping force and may damage the fastener. Use the correct tightening sequence and specifications when installing fasteners in order to avoid damage to parts and systems.

2. Tighten the set screw (1) located at the base of the mirror to 1.8 N.m (16 lb in).



3. Carefully position the bracket lower cover (1) to the window engaging the retainers.

[Programming the Accessory Inside Rearview Mirror](#)

For questions or help programming the Accessory Inside Rearview Mirror, refer to the following website: <https://arq.chamberlain.com>