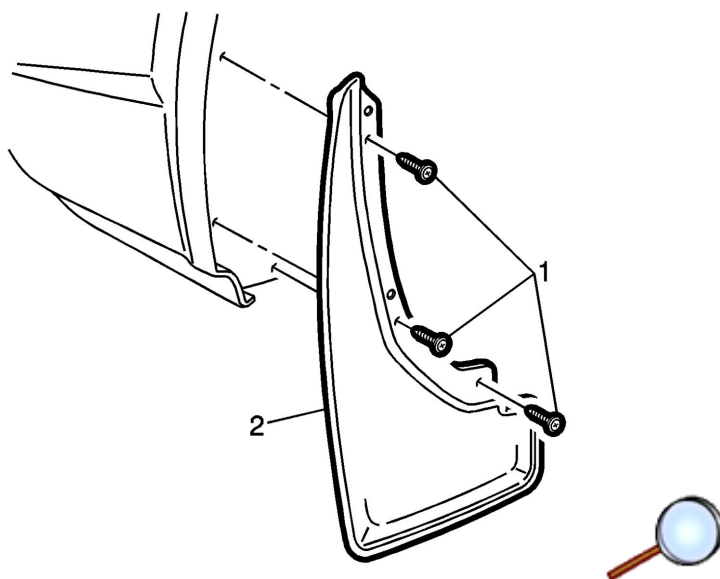


## Rear Mud Flap Package Installation (VF SEDAN)

### TOOLS REQUIRED:

Phillips screwdriver

### [FITTING INSTRUCTIONS](#)



1. Ensure the area inside and around the wheel arch is clean before fitting the mudflaps.
2. Remove the rear wheel. (Refer to Owner's Handbook).
3. Remove the 3 screws from inside the wheel arch and retain.
4. Align the mudflap (2) with the existing screw holes in the wheel arch, fit the mudflap using the screws (1) to secure the mudflap.
5. Refit the rear wheel. (Refer to Owner's Handbook).
6. Repeat all steps on the other side of the vehicle.
7. Place the fitting instructions in the glovebox of the vehicle.

### Rear Mud Flap Package Installation

PARTS LIST		
PART No	DESCRIPTION	QUANTITY
92267788	REAR MUDFLAP KIT	1
	MUDFLAP - REAR (RHS)	1
	MUDFLAP - REAR (LHS)	1
92272939	FITTING INSTRUCTIONS	1