



HARD FOLDING TONNEAU COVER INSTALLATION GUIDE

3641B OCT/2013	GUIDE FOR FOLD-A-COVER: 19301291, 19302797, 19302798, 19302799	TRUCK MODELS: 2014 - Present Chevrolet Silverado 2014 - Present GMC Sierra
-------------------	---	---



Scan the QR Code with your smartphone to watch a Fold-a-Cover installation overview video!

Or visit on the web at
<http://www.youtube.com/watch?v=igSwDSGF18Y>

NOTES TO INSTALLER:

- Install parts as shown in illustrations
- Be sure the truck is sitting on a level surface
- Apply lock tight to each fastener during installation
- Some trimming of the bed liner may be required for proper fit and function
- Make sure the end user receives the warranty registration envelope, keys, and operation instructions.



Truck model shown in image may or may not represent the truck referred to in this installation guide.

NOTES TO CUSTOMER:

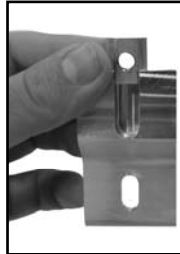
For proper use and maintenance, refer to the operation and care label located under the rearmost panel of the cover on the driver's side.

HARD FOLDING TONNEAU COVER INSTALLATION GUIDE

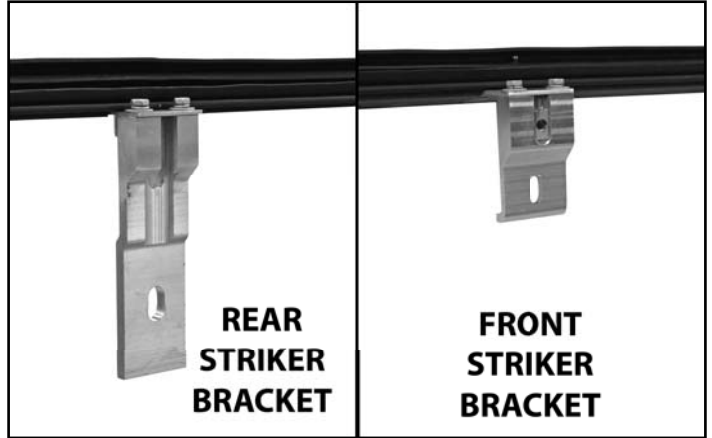
STEP ONE: Prepare Wind Seal Rails

ATTACH FRONT STRIKER CLAMPS TO WIND SEAL RAILS

Begin by inserting a T-Nut (U) into the slot of the Front Striker Clamp Bracket (R).



Next, insert two #10-24 x 1/2" Bolts (N) with two Split Washers (O) and two Flat Washers (M) through the front wind seal rail bracket and into the front striker clamp bracket (R). Finger tighten only, locating the bolts in the center of the slotted openings.

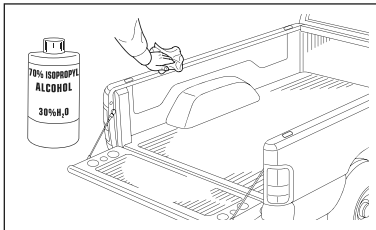


Repeat process for both Windseal Rails

ATTACH REARSTRIKER CLAMPS TO WIND SEAL RAILS

Insert two #10-24 x 1/2" Bolts (N) with two Split Washers (O) and two Flat Washers (M) through the rear wind seal rail bracket and into the rear striker clamp bracket (Q). Finger tighten only, locating the bolts in the center of the slotted openings.

STEP TWO: Truck Rail Cap Surface Preparation



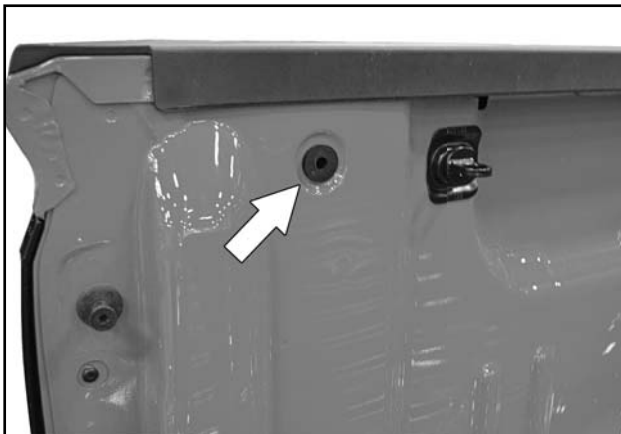
WIPE DOWN BOTH TRUCK RAIL CAPS

Using a clean cloth and 70% Isopropyl Alcohol, wipe down both side rails to ensure a clean surface for installation.

Drop-In Bedliner Notice

NOTE: If you have a factory installed drop-in bedliner, please see supplemental installation sheet on page 10 for additional instructions before proceeding.

STEP THREE: Position Wind Seal Rails



INSERT WELL NUT

Begin by inserting a well nut (L) into the open hole on each side of the truck bed near the tailgate.

Note: Hole may have a plastic plug which must be removed.



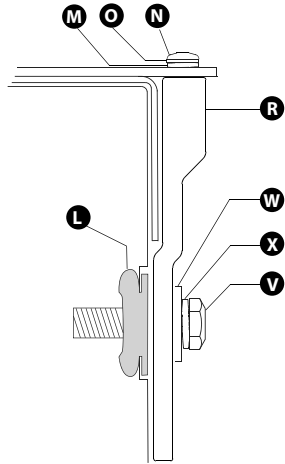
POSITION WIND SEALS ON RAILS

Next, place the assembled rails on the truck bed as shown here, lining up the slot in the rear striker clamp bracket with the well nut. Ensure that the tab on the underside of the rail rests inside the rear stake pocket.

HARD FOLDING TONNEAU COVER INSTALLATION GUIDE

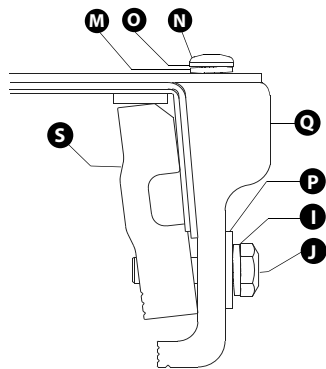
STEP FOUR:

Secure Wind Seal Rails to Truck Bed



SECURE REAR STRIKER CLAMP TO TRUCK BED

Begin securing the wind seal rails to the truck bed by inserting a 3/8-16 x 1½" bolt (V) together with a split washer (X) and a flat washer (W) through the striker plate and into the well nut. Tighten to 60 in-lbs using a 9/16th inch wrench. Do not over-tighten as the well nut can be damaged. Apply downward pressure on the rail while tightening to ensure a proper seal. Repeat this step for the other rail.



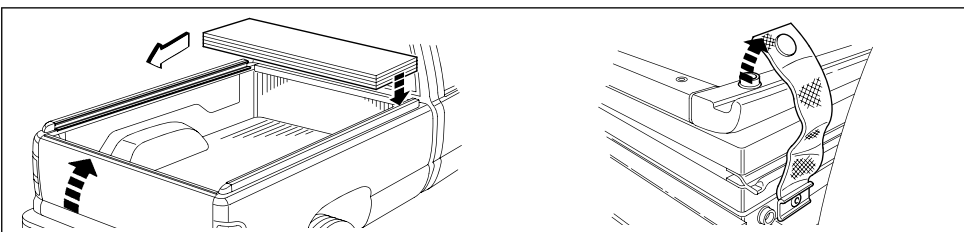
SECURE FRONT STRIKER CLAMP TO TRUCK BED

Begin by placing the inner clamp bracket (S) behind the lip of the truck bed and aligning with front striker clamp bracket. Secure the wind seal rail to the truck bed by inserting a 1/4-20 bolt (J) together with a split washer (I) and a flat washer (P) through the slot on the striker plate and thread into the inner clamp bracket. Apply downward pressure on the rail while tightening to ensure a proper seal. Repeat this step for the other rail.

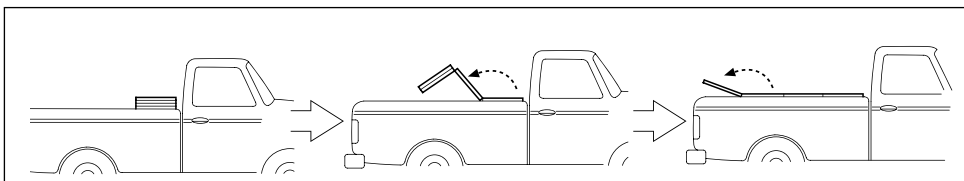
STEP FIVE:

Cover Placement and Alignment

Note: Assistance may be required to perform this step.



Carefully remove the folded cover from the shipping box and remove the packing materials from the corners of the cover. Place the cover between the windseal rails and release the snap restraints as shown in the images above.

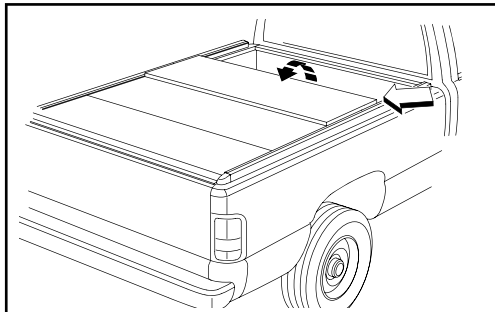


Unfold the cover between the windseal rails on the truck bed. It may be necessary to adjust the windseal rails for the cover to fold out flat and sit between the windseal rails. When unfolding the cover, always close the rear panel last to ensure the center latch properly engages.

HARD FOLDING TONNEAU COVER INSTALLATION GUIDE

STEP SIX:

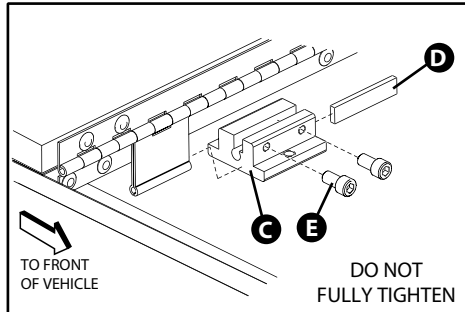
Secure The Cover to The Truck Bed



FOLD BACK FRONT PANEL

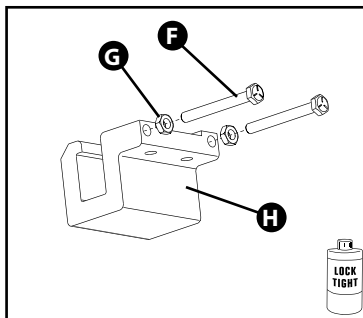
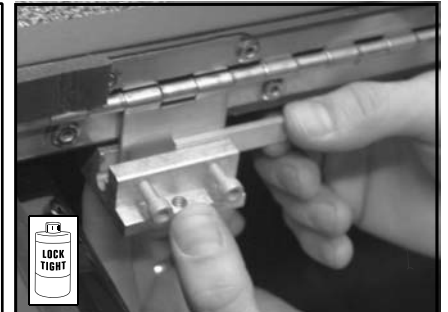
Carefully fold back the front panel, located directly behind the cab.

NOTE: Make sure cover does not move from its centered position on the truck bed.



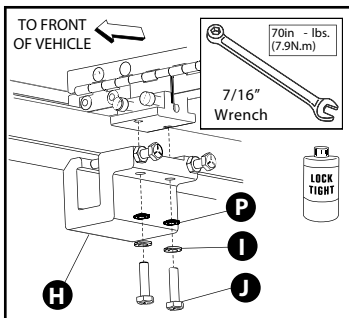
ASSEMBLE HINGE BRACKET

Assemble driver side and passenger side hinge brackets (C, D, E) finger tight as shown in the diagram and picture above.



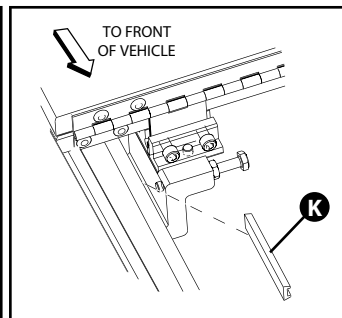
PREPARE C-CLAMP ASSEMBLY

Assemble driver side and passenger side C-clamp units (F, G, H). Thread the jam nut (G) all the way onto bolt (F) and thread them into C-clamp (H) until just visible in the clamp opening



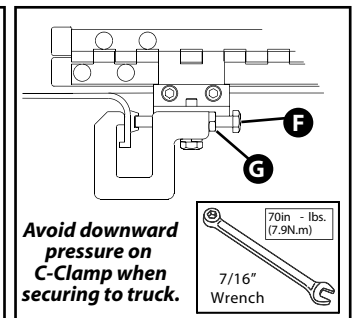
INSTALL C-CLAMP ASSEMBLY

With the c-clamp under the lip of the bed rail, use bolts (J), lock washers (I) and flat washers (P) to attach the C-clamp units to the hinge brackets and tighten the bolts to 70 in. lbs.



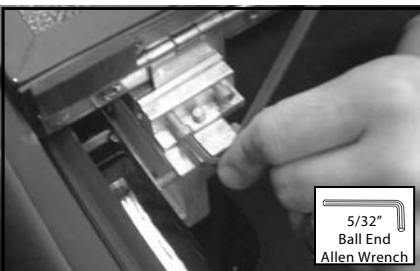
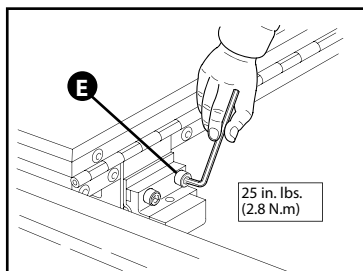
INSERT C-CLAMP SHIM

Insert the C-clamp shims (K) as shown in the diagrams above and thread the C-clamp bolts finger tight until the bolt contacts the center groove in the shim.



TIGHTEN BOLTS AND JAM NUTS

Make sure both C-clamp bolts contact the shim. The C-clamp assembly and shim should be parallel with the top of the truck bed. Avoid downward pressure on the C-clamp assembly as it is tightened. Check shim alignment and tighten the bolts (F) to 70 in lbs. Tighten the jam nuts (J) to secure.



SECURE HINGE BRACKET BOLTS

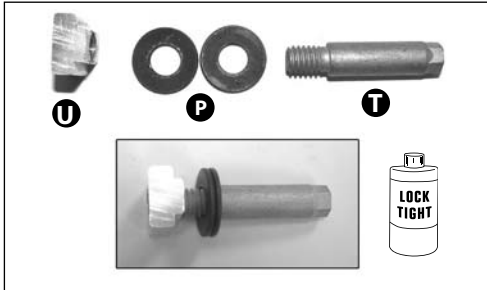
With the C-Clamps installed, now tighten the hinge bracket set bolts to 25 in. lbs. (2.8 N. m)

Note: Make sure hinge bracket shim (D) is seated to the bottom of the receiver groove in the hinge bracket.

HARD FOLDING TONNEAU COVER INSTALLATION GUIDE

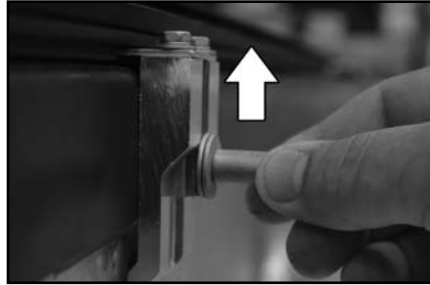
STEP SEVEN:

INSERT STRIKER BOLTS



INSERT AND SECURE STRIKER BOLTS:
Pre-assemble the striker bolt (T) with 2 washers (P) and thread it into the T-nut (U).

NOTE: The front stiker clamps will already have the T-nut positioned in the striker bracket from Step 1.



With the rear panel in its full opened position, install the striker bolts, T-nuts, and washers (T, U, P).

Slide the T-nut assembly into the T-slot in the striker clamp bracket as shown in the picture above.



Tighten the striker bolt finger tight and repeat this step for remaining striker clamp brackets.

For initial positioning, locate the striker bolts at the top of the striker clamps.

STEP EIGHT:

PREPARE BLADE SEALS



Initially, the blade seals on the cover will need some time to properly adjust and conform to the tailgate and bulk head of your truck bed.

We recommend using Armor All or similiar rubber protectant to facilitate closing the cover and allowing the blade seal to slide across the tailgate and truck bed bulk head and lay properly when closed.

Using a cloth, simply apply the product to the underside of the blade seal to allow it to slide across the truck bed surface more easily.

HARD FOLDING TONNEAU COVER INSTALLATION GUIDE

STEP NINE:

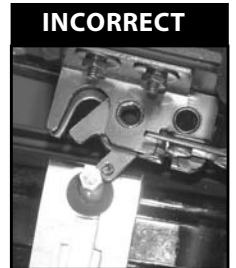
ALIGN AND ADJUST ROTARY LATCHES



OPEN POSITION



CORRECT

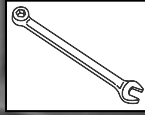
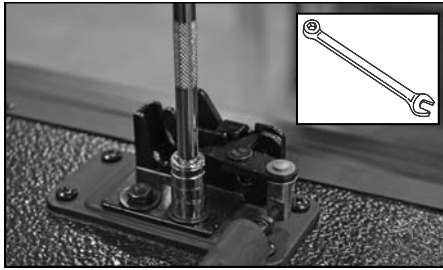


INCORRECT

Open the tailgate of the truck. Make sure the rotary latches are in their open position on both panels by pulling the handle with the cover open.

Gently lower either the front or the rear panel toward its closed position making careful note of the alignment of the striker bolts on the truck and the U-shaped striker bolt receiver in the rotary latch on the cover.

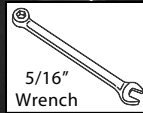
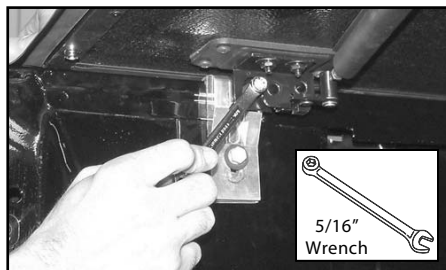
The U-shaped groove on the latch should be centered directly over the striker bolt.



If the striker bolt is not centered, adjust it as follows. Loosen the 3/8" nuts on the latch assembly to slide the latch fore or aft until it is centered over the striker bolt on the truck.



Repeat until all four latches are centered over their respective striker bolts.



5/16" Wrench

With the cover closed and latched you can now make the vertical adjustment for the rear striker bolts. Use the 5/16" wrench to adjust the striker bolt height as shown in the photo above.



BEFORE ADJUSTMENT

To properly adjust the striker bolts, loosen the stiker bolt and apply downward pressure on the panel to make it flush with the windseal rails, then tighten the bolt again.



AFTER ADJUSTMENT

The front and rear panels will be flush with the wind seal rails when closed and properly adjusted. Tighten the four striker bolts to 70 in. lbs.



To adjust the rear striker bolts, stack the cover behind the cab, loosen the striker bolts, apply firm downward pressure on the panels to make them flush with the rails, and tighten the striker bolts.



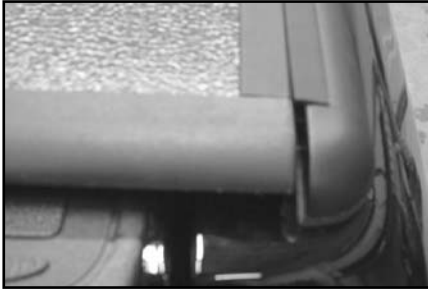
To close and latch the front or rear panel, simply use a smooth, firm downward pressure on the panel. Start the downward closing motion approximately 12 inches before the panel reaches its closed position.



HARD FOLDING TONNEAU COVER INSTALLATION GUIDE

STEP TEN:

Align and Fully Secure Wind Seal Rails



ALIGN LH AND RH WINDSEAL RAILS TO COVER

Align the rear panel of the cover evenly with the rear ends of the windseal rails for proper front-to-back alignment.

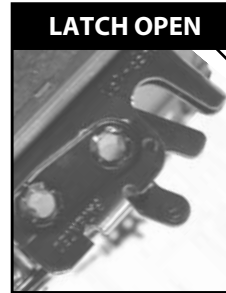
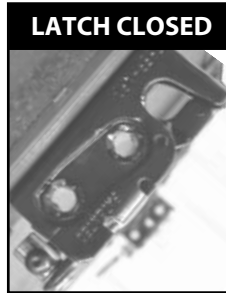
Now, make sure the upper rubber seal for the windseal rails are evenly spaced between 1/32" to 1/16" from the top edge of the cover for the entire length of the cover, front to back and on both sides. Simply push on the windseal rails to align them next to the cover.

FULLY SECURE WINDSEAL RAILS

With the windseal rails properly aligned with the cover, finish securing the rails to the striker bolt clamps by tightening the bolts using a 5/16" wrench to 50 in-lbs. Repeat for all brackets.

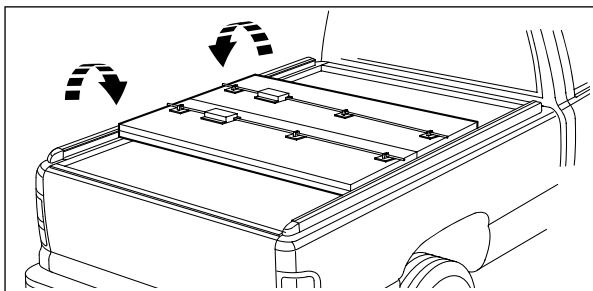
STEP ELEVEN:

ROTARY LATCH TIMING



Hold the rear panel in an open position at approximately a 45 degree angle with one hand. With your other hand manually close both the driver and passenger side rotary latches.

With the cover in this suspended position operate the latch release handle. Both latches should open at the same time about half way through the travel of the latch release handle. If both latches release simultaneously no further adjustment is required, and you may tighten the cable end jam nuts as pictured below.



TO TIGHTEN CABLE END JAM NUTS:

Before tightening the jam nuts, lay the panel down in the open position to make it easier to work on.

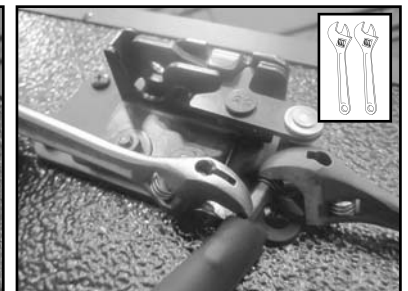


IF ADJUSTMENT IS REQUIRED:

Adjusting the cable length can be done with your fingers, as shown.

To make the latch release earlier, turn the cable end nut clockwise.

To make the latch release later, turn the cable end nut counter-clockwise.



Use two small adjustable wrenches. One will hold the cable end nut in its current position. The other wrench will turn the jam nut so the cable end nut remains locked in position.

Repeat as needed for the other latches.

HARD FOLDING TONNEAU COVER INSTALLATION GUIDE

OPERATING YOUR FOLD-A-COVER



1
To open the cover lift the latch release handle and open the rear panel to the fully open position.



2
To insure proper operation of the center latch mechanism always open and fold the rear panel of the cover to its fully open position before starting any folding motion of the second or third panels.



3
Continue the opening sequence by folding the second and third panel to the fully open position.



4
With the cover in the fully open and stacked position, secure all three docking straps. It is important to secure the docking straps at all times when the cover is in the fully open position.

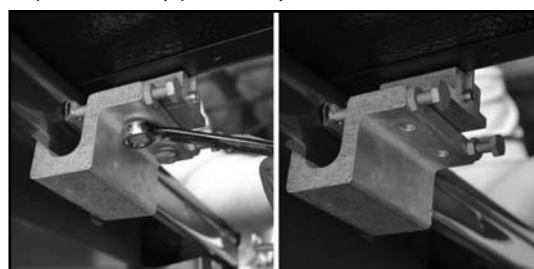
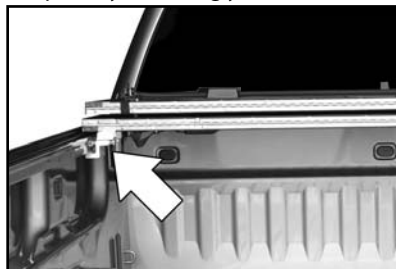


5
To close the cover, reverse these steps in the same order, making sure to close the rear panel last.

Note: Only operate the vehicle with the cover in the closed and latched position or the fully open position with the docking straps securely fastened. Operation of the vehicle with the cover in partially opened positions can cause severe damage to the cover and possibly the vehicle.

REMOVING YOUR FOLD-A-COVER

Temporarily removing your Fold-a-Cover is a quick and easy process if you need access to the entire truck bed for large items.

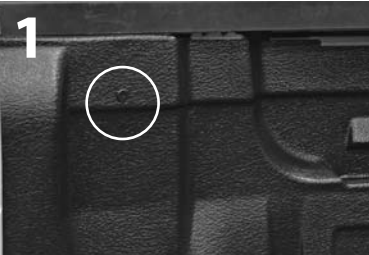


Using a 7/16th wrench, simply remove the bolts (J), lock washers (I), and flat washers (P) which secure the hinge bracket to the C-clamp. This will allow the cover to be removed from the truck bed. Now simply lift the Fold-a-Cover off the truck bed and carefully store it while not in use.

This process leaves all the mounting hardware attached to your truck bed, so that no adjustments or re-alignment will be necessary!

HARD FOLDING TONNEAU COVER INSTALLATION GUIDE

SUPPLEMENTAL: ATTACHING WINDSEAL RAILS WITH BED LINER



1 Begin by removing the Torx #20 Screw on the side of the truck bed near the tailgate that secures the bed liner to the truck bed. Save screw for Step 8.

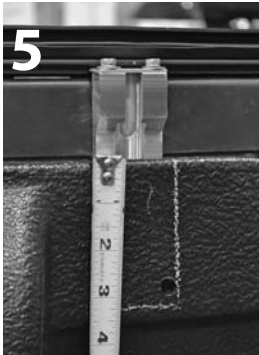
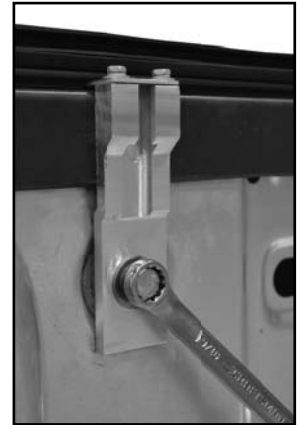
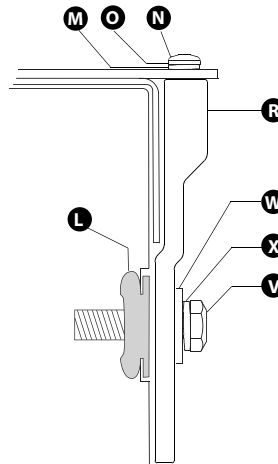


2 Pull back the bed liner and insert a Well Nut (L) into the exposed hole. Note: A plastic plug may need to be removed.



3 POSITION WIND SEALS ON RAILS
Next, place the assembled rails on the truck bed as shown here, lining up the slot in the rear striker clamp bracket with the well nut. Ensure that the tab on the underside of the rail rests inside the rear stake pocket.

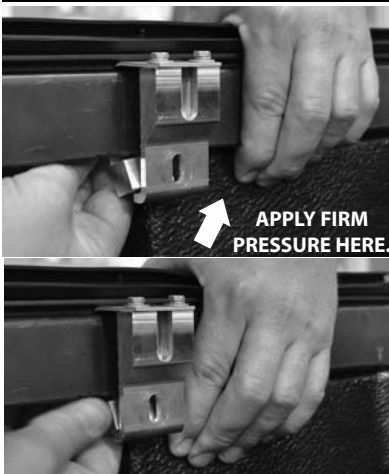
4 SECURE REAR STRIKER CLAMP TO TRUCK BED
Begin securing the wind seal rails to the truck bed by inserting a 3/8-16 x 1 1/2" bolt (V) together with a split washer (X) and a flat washer (W) through the striker plate and into the well nut. Tighten to 60 in-lbs using a 9/16th inch wrench. Do not overtighten as the well nut can be damaged. Apply downward pressure on the rail while tightening to ensure a proper seal.



5 With the clamp secured, trace the outline of the clamp onto the bedliner, going 3 1/4" down from the top of the bedliner. Using a Rotary Tool, Coping Saw, or similar tool, cut out the area for the striker clamp bracket.

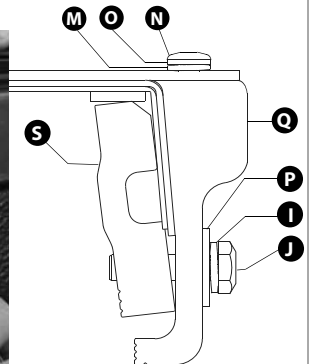


7 Using a 5/16th drill bit, drill a hole through the bedliner just to the left of the striker clamp bracket. Next, with a Torx #20 driver, use the screw that was previously removed to re-secure the bedliner to the truck



SECURE FRONT STRIKER CLAMP TO TRUCK BED

Begin by placing the inner clamp bracket (S) behind the lip of the truck bed. Apply firm pressure to the bed liner to provide clearance for the inner clamp bracket and slide it behind the front striker clamp bracket. Secure the wind seal rail to the truck bed by inserting a 1/4-20 bolt (J) together with a split washer (I) and a flat washer (P) through the slot on the striker plate and thread into the inner clamp bracket. Apply downward pressure on the rail while tightening to ensure a proper seal.



CONTINUE WITH STEP 5 ON PAGE 4 WHEN COMPLETE