

Document ID: 4485461

Rear Signal Lamp Kit Installation

Installation Instructions Part Number

23454223

Kit Contents

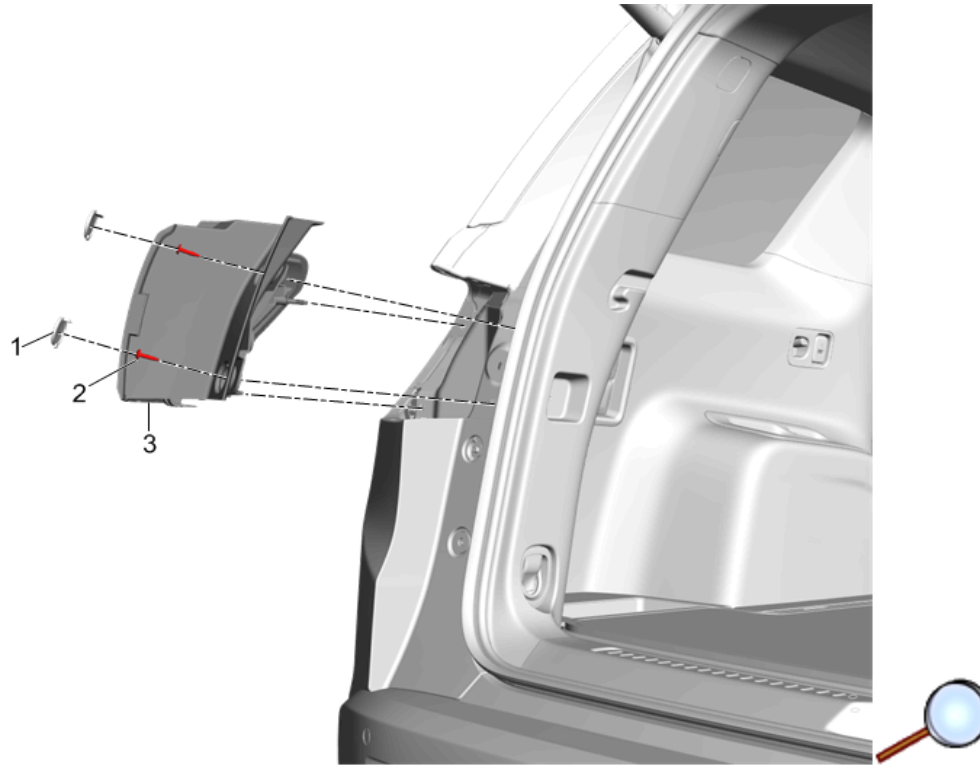
Qty	Description
1	Lamp Assembly – Rear Body Structure Stop (LH)
1	Lamp Assembly – Rear Body Structure Stop (RH)
1	Lamp Assembly – Rear Closure (LH)
1	Lamp Assembly – Rear Closure (RH)
1	Installation Instructions

Procedure

Tail Lamps

Note: Accessory tail lamps are designed to replace lamps for North America only.

1. Open the liftgate.



2. Remove the rear tail lamp screw cover (1) Qty:2.
3. Remove the rear Tail lamp screws (2) Qty:2.
4. Pull straight back and remove tail lamp (3) from the body side outer frame.
5. Disconnect electrical connector.
6. Connect the electrical connector and install replacement tail lamp assembly (3) to the vehicle.

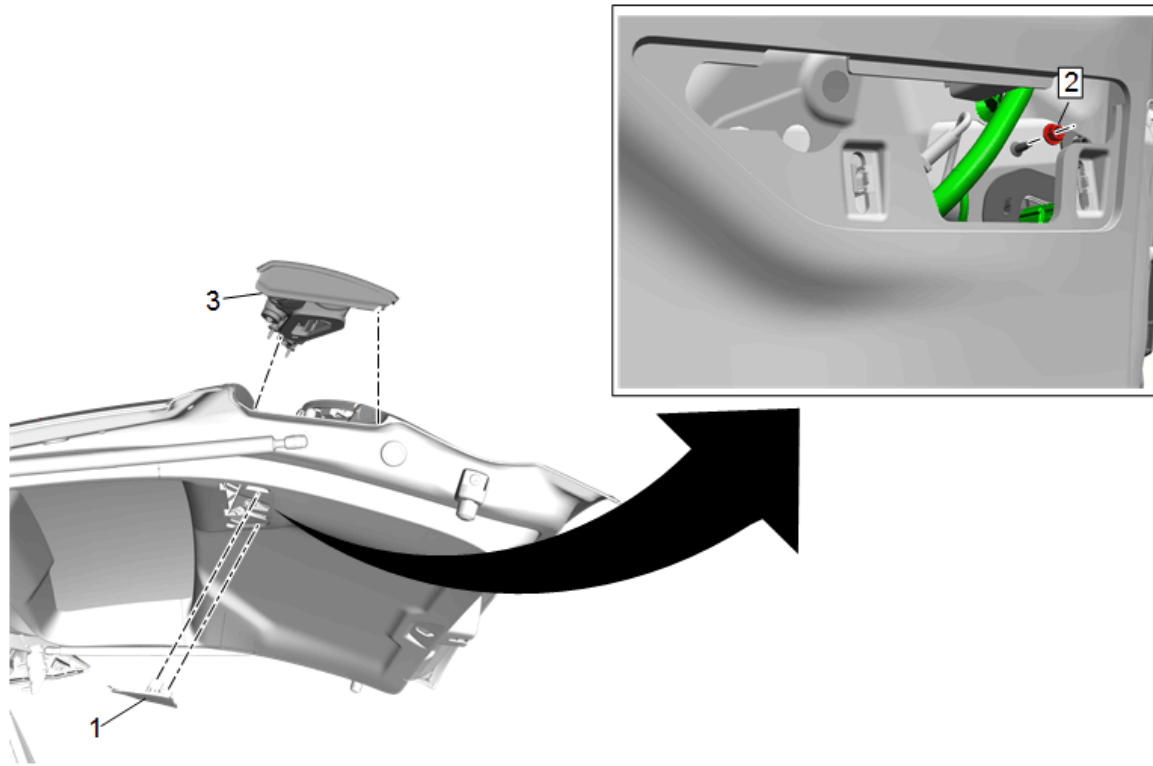
Caution: Use the correct fastener in the correct location. Replacement fasteners must be the correct part number for that application. Do not use paints, lubricants, or corrosion inhibitors on fasteners, or fastener joint surfaces, unless specified. These coatings affect fastener torque and joint clamping force and may damage the fastener. Use the correct tightening sequence and specifications when installing fasteners in order to avoid damage to parts and systems. When using fasteners that are threaded directly into plastic, use extreme care not to strip the mating plastic part(s). Use hand tools only, and do not use any kind of impact or power tools. Fastener should be hand tightened, fully seated, and not stripped.

7. Install the screws (2) Qty:2.
Tighten
 Tighten the screws to 2.5 N.m (22 lb in).
8. Install the rear tail lamp screw cover (1) Qty:2.
9. Check function of tail lamp

10. Repeat procedure for other tail lamp.

Liftgate Lamp

1. Remove access panel from liftgate trim.



2. Remove the liftgate lamp nuts (1) Qty:2.

Note: Use magnetic socket to prevent dropping nuts. Small access area, may lose nuts in liftgate.

3. Pull liftgate lamp (2) from liftgate outer frame.

4. Disconnect electrical connector.

5. Connect electrical connector and install liftgate lamp (2) to liftgate outer frame.

6. Install the nuts (1). Tighten the nuts to 4.7 N.m (42 lb in).

7. Re-install liftgate trim access panel.

8. Check function of liftgate lamp.

9. Repeat procedure for other liftgate lamp.

10. Close the liftgate.