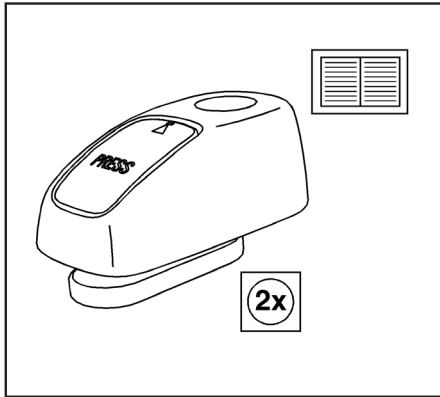
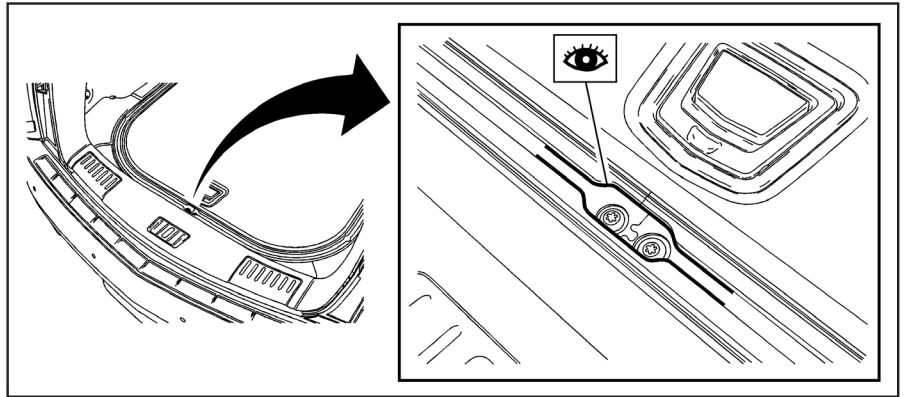


**Cargo Partition Package Installation
(Cargo Partition Slider Attachment)**

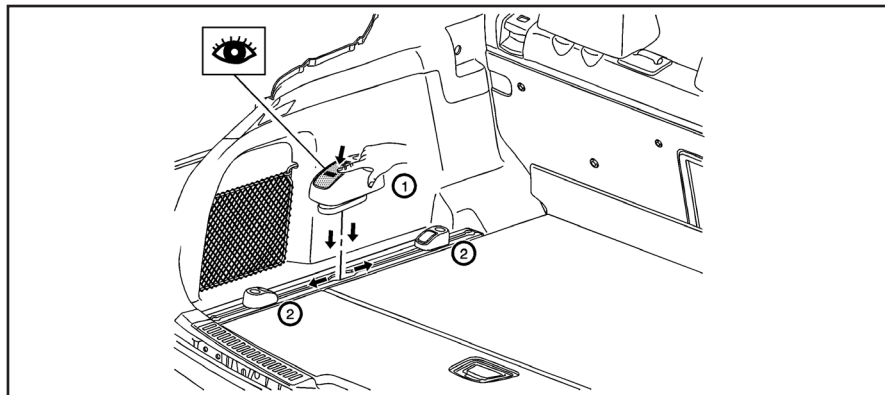
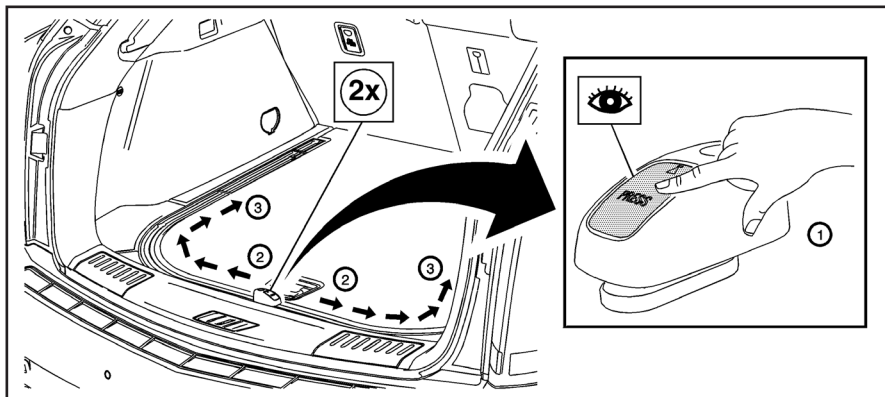
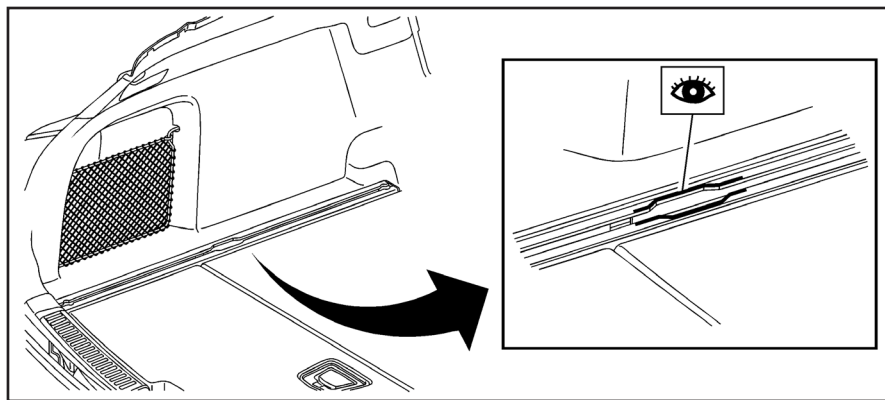
Installation Instructions Part Number
22743389



Kit Contents



Procedure



Cargo Partition Slider Attachment

REV 08JN11

PART NO.

22743389

SHEET **1** OF **1**

ALL INFORMATION WITHIN ABOVE BORDER TO BE PRINTED EXACTLY AS SHOWN ON 8.5 x 11 WHITE 16 POUND NON-BOND RECYCLABLE PAPER. PRINT ON BOTH SIDES, EXCLUDING TEMPLATES. TO BE UNITIZED IN ACCORDANCE WITH GM SPECIFICATIONS.

DATE	REVISION	AUTH	DR
28JL10	Initial Release - Jonathon D'Andonaegui Pacheco	1282519 (EPRMR)	
08JN11	Revision - Jonathon Pacheco	1546230	

TITLE
INSTALLATION INSTRUCTIONS Cargo Partition Slider Attachment
PART NO. 22743389
SHEET 1 OF 1