

## Underbody Skid Shield Package Installation (Light Duty Application)

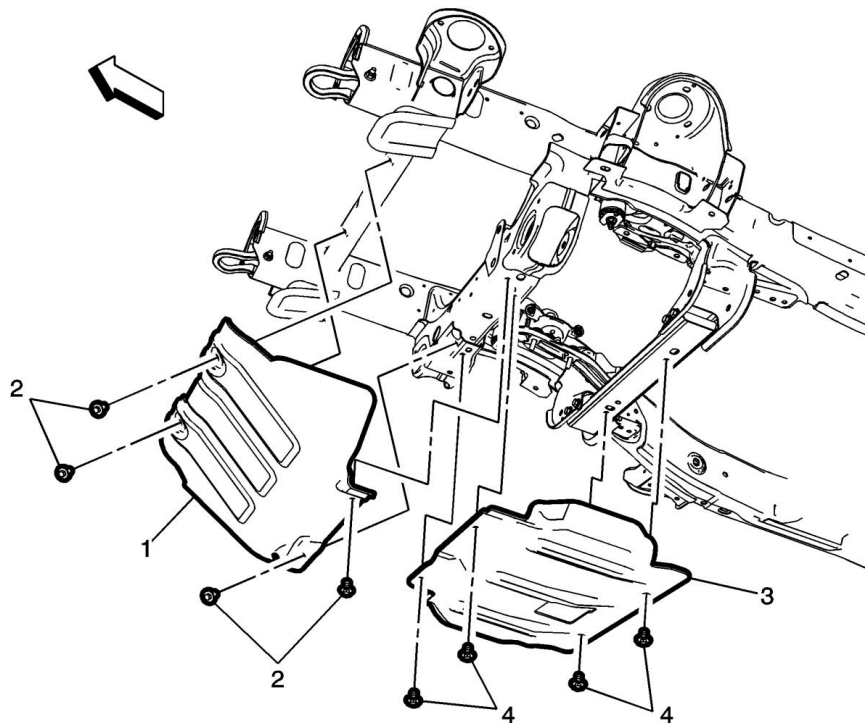
Installation Instructions Part Number

23176882

### Kit Contents

Qty	Description
1	Installation Instructions
1	Transfer Case Skid Shield
1	Underbody Skid Shield
1	Underbody Splash Shield
12	Bolt

### [Procedure](#)



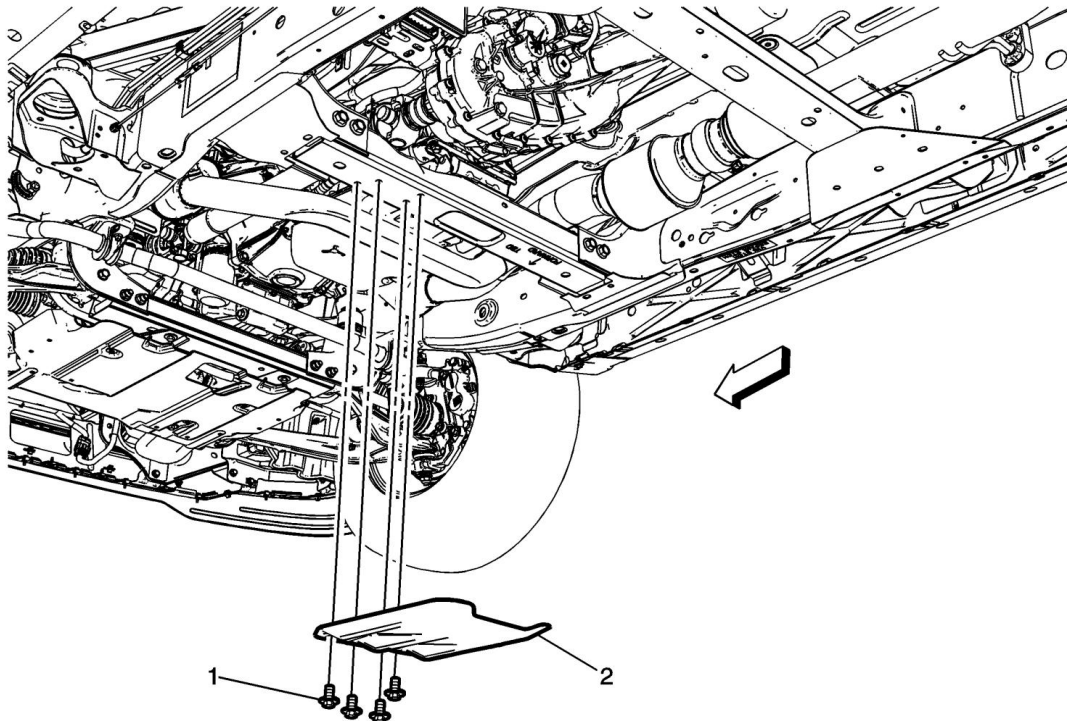
1. Raise and support the vehicle. Refer to Vehicle Service Manual.

© 2014 General Motors. All rights reserved.

2. Position the underbody splash shield (1) on the frame.

**Caution:** Use the correct fastener in the correct location. Replacement fasteners must be the correct part number for that application. Fasteners requiring replacement or fasteners requiring the use of thread locking compound or sealant are identified in the service procedure. Do not use paints, lubricants, or corrosion inhibitors on fasteners or fastener joint surfaces unless specified. These coatings affect fastener torque and joint clamping force and may damage the fastener. Use the correct tightening sequence and specifications when installing fasteners in order to avoid damage to parts and systems.

3. Install the underbody splash shield mounting bolts (2) and tighten to 26 Y (19 lb ft).
4. Position the underbody skid shield (3) on the frame.
5. Install the underbody skid shield mounting bolts (4) and tighten to 26 Y (19 lb ft).



6. Position the transfer case skid shield (2) to the frame.
7. Install the transfer case skid shield mounting bolts (1) and tighten to 26 Y (19 lb ft).
8. Lower the vehicle.