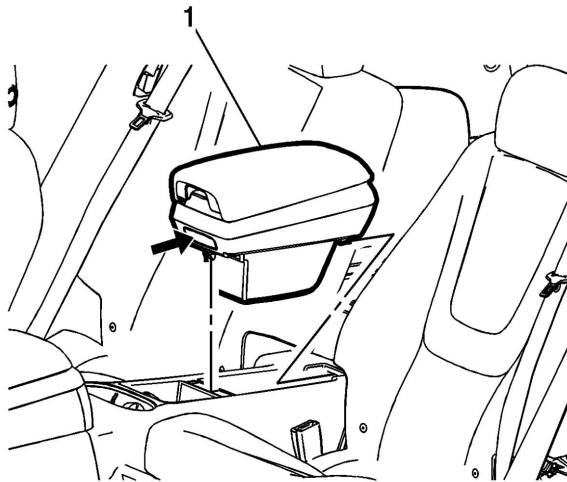


## Rear Floor Console Package Installation

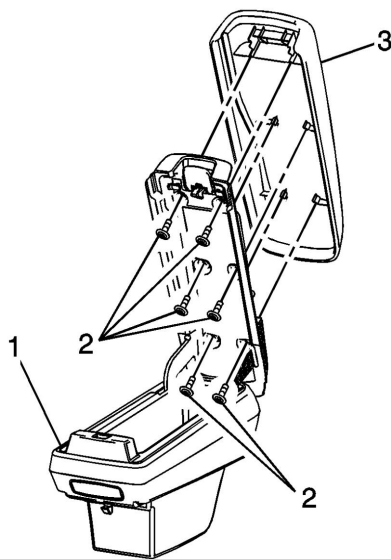
### Kit Contents

Qty	Description
1	Rear Floor Console Armrest

### [Procedure](#)



1. Push the lower bin button and lift the rear console (1) upward and forward to release it from the rear bracket.



2. Open the rear console lid.
3. Remove the fasteners (2) and the rear floor console armrest (3) from rear floor console (1).

Caution: Use the correct fastener in the correct location. Replacement fasteners must be the correct part number for that application. Fasteners requiring replacement or fasteners requiring the use of thread locking compound or sealant are identified in the service procedure. Do not use paints, lubricants, or corrosion inhibitors on fasteners or fastener joint surfaces unless specified. These coatings affect fastener torque and joint clamping force and may damage the fastener. Use the correct tightening sequence and specifications when installing fasteners in order to avoid damage to parts and systems.

4. Install new rear floor console armrest in reverse order.