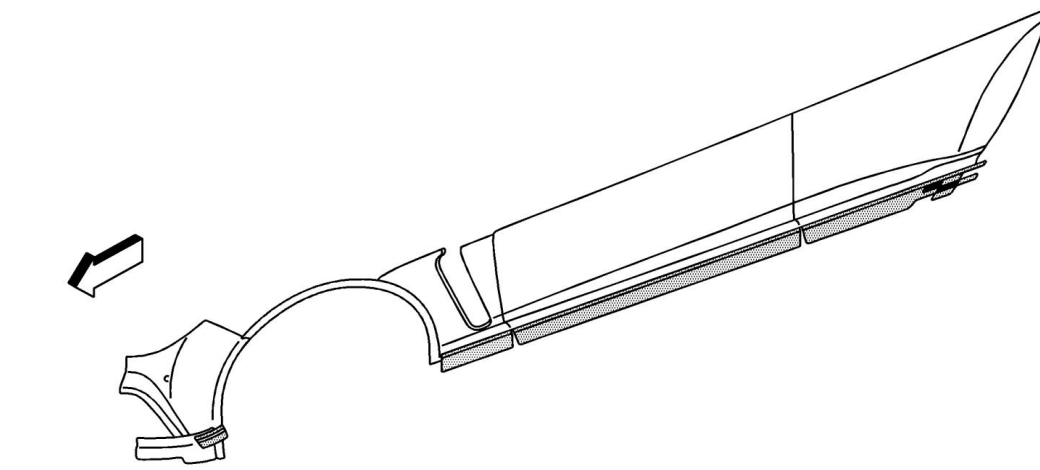


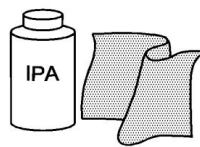
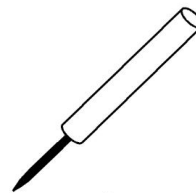
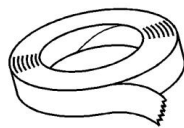
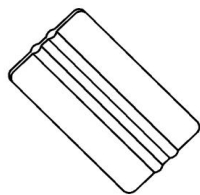
Side Decal Package Installation (4 - Door)

Installation Instructions Part Number

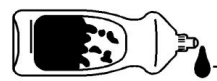
92420703



Tools Required



Unscented
Dishwashing
Liquid



x 3



(750 ml)



Note: To ensure a bubble free application, put three tiny drops of liquid dish soap into a trigger type plastic spray bottle. Set nozzle for "fine mist".

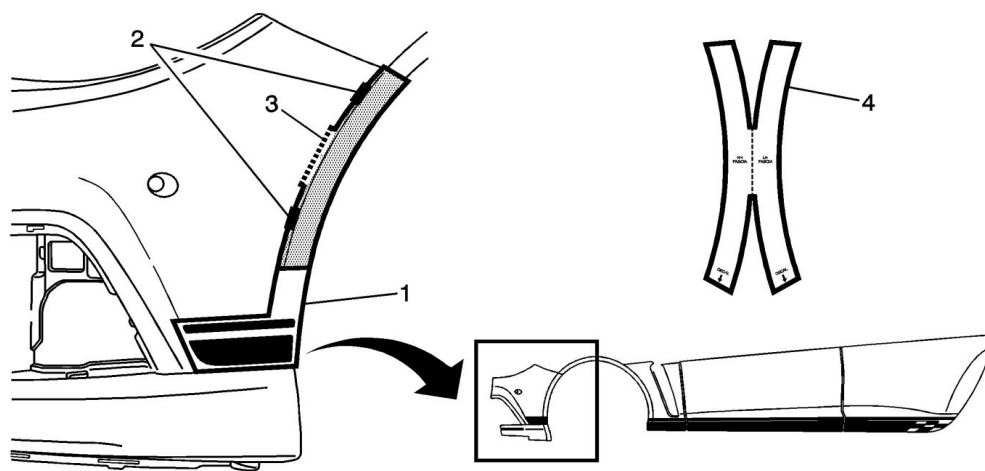
- Water
- Liquid Dish Soap
- Trigger-Type Spray Bottle
- Isopropyl Alcohol
- Plastic Squeegee
- Needle or Pin
- Masking Tape

[Processing Instructions](#)

1. The paint surface where the stripes are to be applied must be thoroughly washed with warm soap and water solution.
2. If present, heavy contamination like tar should be removed with Prepsol or other quality solvent.
3. Wipe the paint surface with Isopropyl Alcohol just before starting the application. Follow with a dry wipe.
4. Vehicle body surface and part must be 21°C or higher.
5. Use the Soap/Water mixture to thoroughly saturate the paint surface where the part is to be applied.
6. Lay the decal face-down on a flat surface, slowly remove the heavy white liner from the decal & spray the soap/water mixture onto the exposed adhesive.
7. Position the stripe in the location shown in Alignment Instructions and spray the paper pre-mask surface with an even mist.
8. Thoroughly squeegee the entire surface with firm, overlapping strokes.
9. Remove the pre-mask by pulling it off at 180° or parallel to the surface.
10. If the stripe tends to lift off the paint as the pre-mask is being removed, the cause is:
 - Too much soap in the spray bottle. Rinse it out and use less soap.
 - Not enough pressure on the film surface from the squeegee. Increase pressure and insure overlapping strokes.
11. For any areas that may be lifting, re-apply soap solution to the stripe, wrap a towel around the squeegee and re-squeegee.
12. For a bubble removal, use a needle or a pin to carefully pierce the bubble to release the trapped water.
13. Maintain vehicle body temperature of 21°C or higher for a minimum of 30 mins after decal installation.
14. Do not use an automated/high pressure car wash until 24 hours have elapsed.

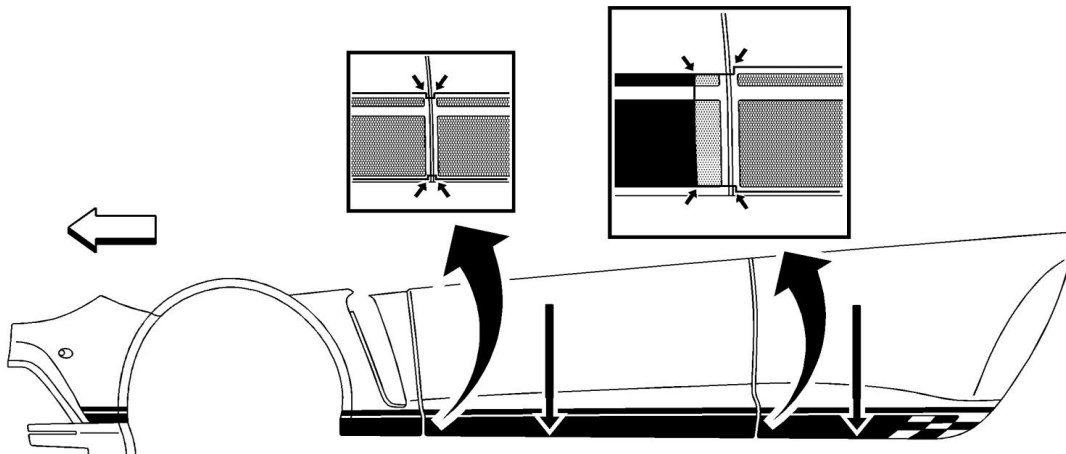
[Alignment Instructions](#)

Front Bumper Fascia Decal



1. Separate the template (4) into the LH and RH portions.
2. Tape (2) the LH template (3) into place.
3. Align the decal (1) to the template and wheel arch opening.

4. Finalize the installation. Refer to Processing Instructions.
5. Repeat for RH side.

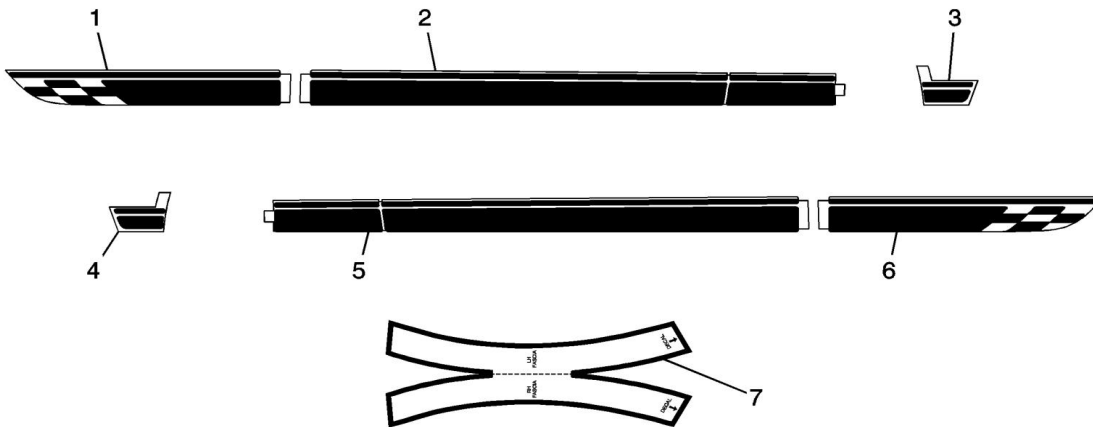


Body Side Front Door Decal

- Align the front door stripe to the panel opening as shown.
- Align the bottom edge of the locator to the bottom edge of the door panel.
- Finalize the installation. Refer to Processing Instructions.
- RH is Symmetrically opposite

Body Side Rear Door Decal

- Align the front tab to the installed front door stripe (inset).
- Align the bottom edge of the locator to the bottom edge of the door panel.
- Finalize the installation. Refer to Processing Instructions.
- RH is Symmetrically opposite.



Side Decal Package Installation

PARTS LIST		
Item Number	DESCRIPTION	QUANTITY
	Part Number: 92457238 (Black), 92457239 (Red)	
2	Decal - FRT S/D LWR RH	1

PARTS LIST		
5	Decal - FRT S/D LWR LH	1
1	Decal - RR S/D LWR RH	1
6	Decal - RR S/D LWR LH	1
3	Decal - FRT BPR Fascia RH	1
4	Decal - FRT BPR Fascia LH	1
7	Template FRT BPR Fascia	1
	Instructions	1