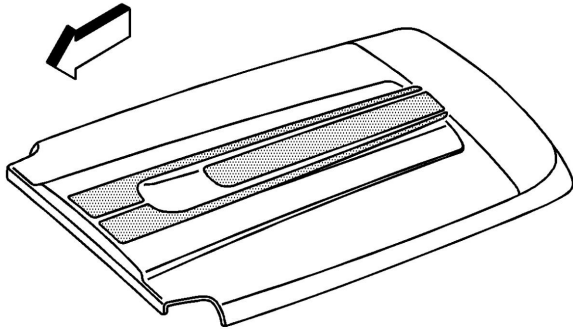


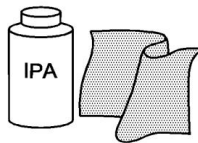
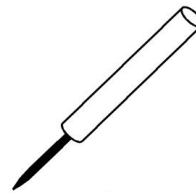
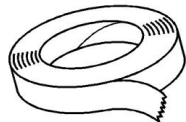
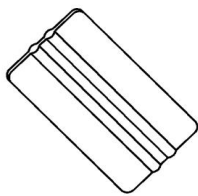
## Rear Compartment Lid Decal Package Installation (Ute)

Installation Instructions Part Number

92420706



### Tools Required



Unscented  
Dishwashing  
Liquid



x 3



(750 ml)



Note: To ensure a bubble free application, put three tiny drops of liquid dish soap into a trigger type plastic spray bottle. Set nozzle for "fine mist".

- Water
- Clean Towels
- Liquid Dish Soap
- Trigger-Type Spray Bottle
- Isopropyl Alcohol
- Plastic Squeegee
- Needle or Pin

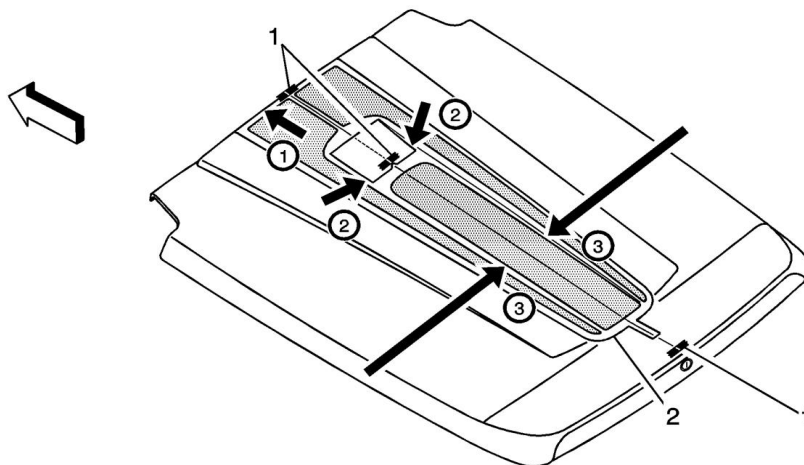
- Masking Tape

### Processing Instructions

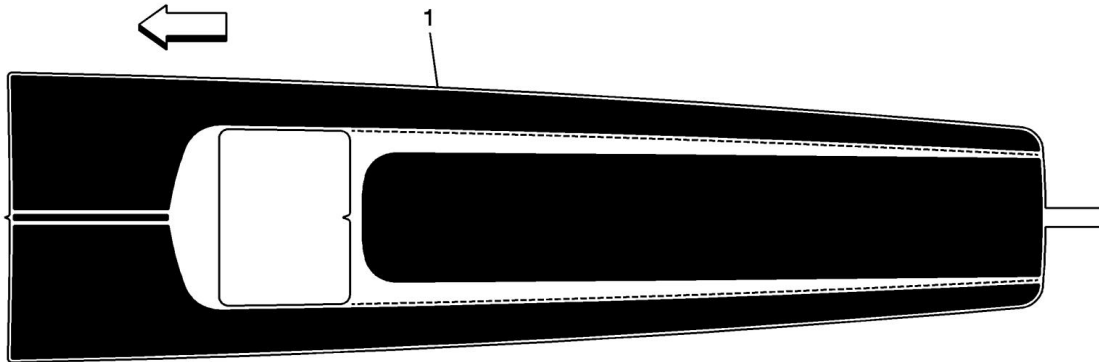
1. The paint surface where the stripes are to be applied must be thoroughly washed with warm soap and water solution.
2. If present, heavy contamination like tar should be removed with Prepsol or other quality solvent.
3. Wipe the paint surface with Isopropyl Alcohol just before starting the application. Follow with a dry wipe.
4. Vehicle body surface and part must be 21°C or higher.
5. Use the Soap/Water mixture to thoroughly saturate the paint surface where the part is to be applied.
6. Lay the decal face-down on a flat surface, slowly remove the heavy white liner from the decal & spray the soap/water mixture onto the exposed adhesive.
7. Position the stripe in the location shown in Alignment Instructions and spray the paper pre-mask surface with an even mist.
8. Thoroughly squeegee the entire surface with firm, overlapping strokes.
9. Remove the pre-mask by pulling it off at 180° or parallel to the surface.
10. If the stripe tends to lift off the paint as the pre-mask is being removed, the cause is:
  - Too much soap in the spray bottle. Rinse it out and use less soap.
  - Not enough pressure on the film surface from the squeegee. Increase pressure and insure overlapping strokes.
11. For any areas that may be lifting, re-apply soap solution to the stripe, wrap a towel around the squeegee and re-squeegee.
12. For a bubble removal, use a needle or a pin to carefully pierce the bubble to release the trapped water.
13. Maintain vehicle body temperature of 21°C or higher for a minimum of 30 mins after decal installation.
14. Do not use an automated/high pressure car wash until 24 hours have elapsed.

### Alignment Instructions

#### Rear Compartment Lid Decal



1. Mark the center line with tape (1) as shown at the front edge, inside recessed area and rear edge above the lock barrel.
2. Align the decal (2) to the panel edges as shown and squeegee into place. Refer to Processing Instructions.



Rear Compartment Lid Decal Package Installation

PARTS LIST		
Item Number	DESCRIPTION	QUANTITY
	Part Number: 92457252 (Black), 92457253 (Red)	
1	Decal - R/CMPT LID (UTE)	1
	Instructions	1