

## Front Grille Kit Installation (P/N 92272910, 92272911)

Installation Instructions Part Number

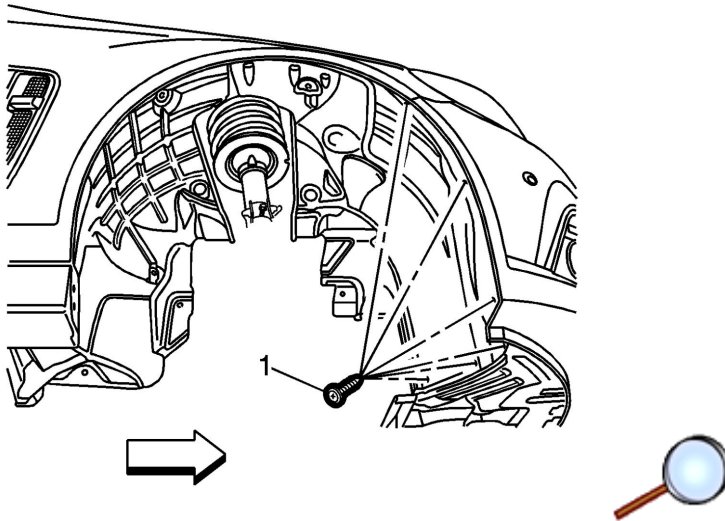
92457282

**Note:** Read instruction carefully before installation.

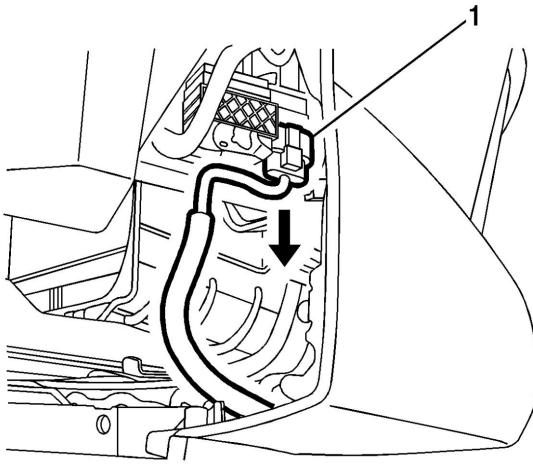
### Tools Required

- Phillips Head Screwdriver
- Trim Release Tool
- 10mm, 13mm Socket
- Ratchet
- T20 Torx Bit
- Suitable Flat Blade Tool

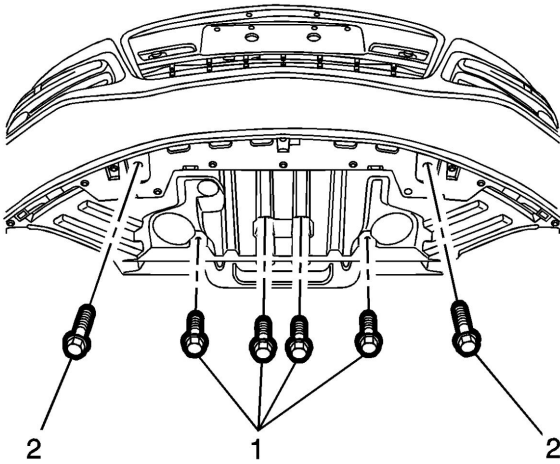
### [Fitting Instructions](#)



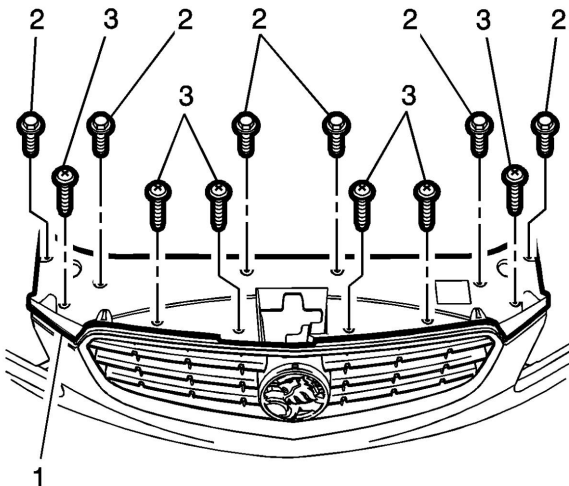
1. Raise and secure the vehicle off the ground.
2. Remove the 6 screws (1) fixing the front wheel arch liner to the vehicle fascia (both sides of vehicle).



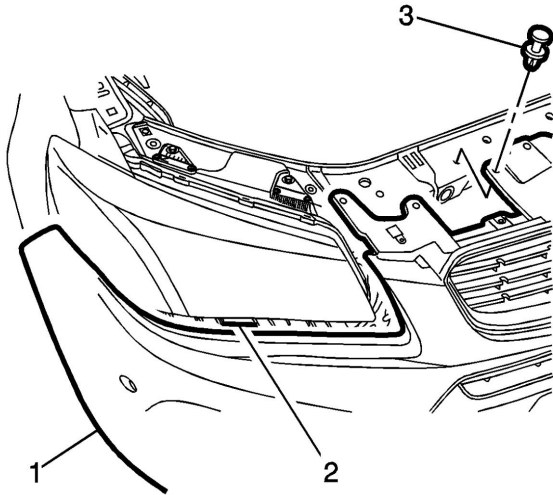
3. Disconnect the fascia harness (1) from the vehicle harness.



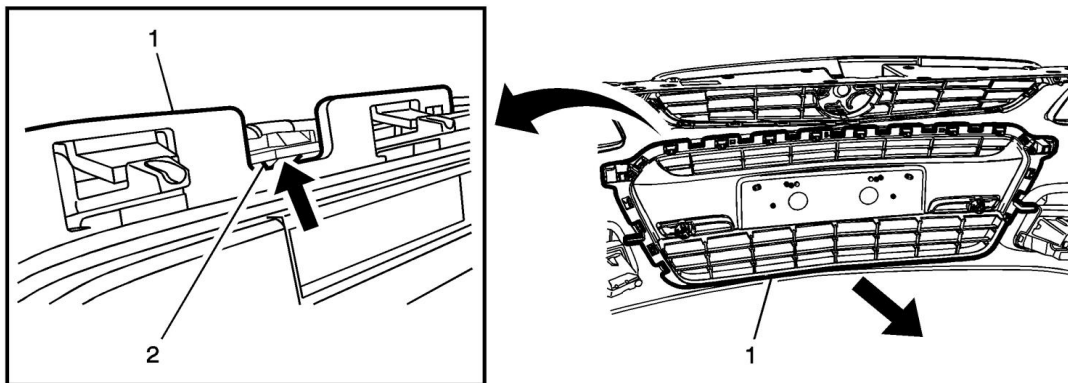
4. From under the vehicle, remove the 4 short fascia nappy bolts (1) and the 2 front long fascia support bolts (2).



5. From under the vehicle bonnet, remove the 6 bolts (2) across the rear edge of the front fascia cover and the 6 screws (3) across the front of the front cover and remove the cover (1).

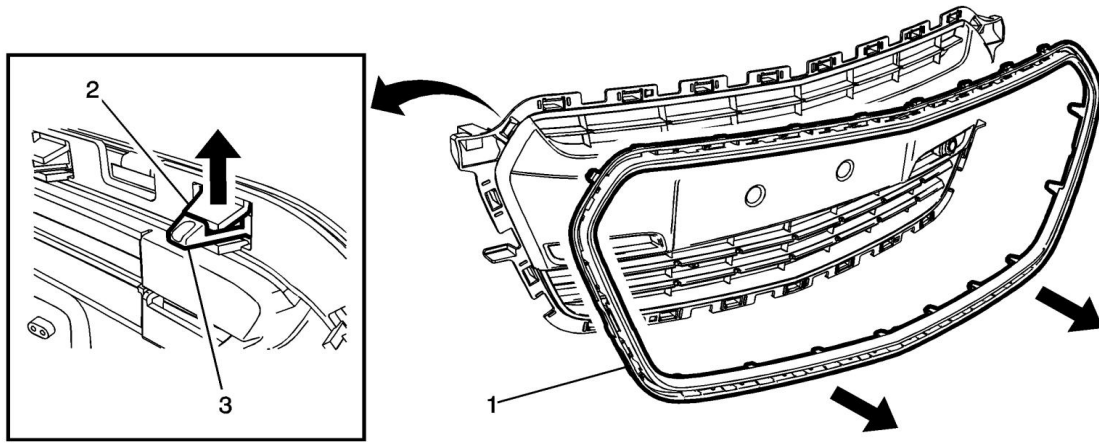


6. Remove the 2 scrivets (3) retaining the fascia to the front cross member. Carefully pull the fascia outwards to release the fascia from the fender retaining clips (1), then carefully pull the fascia forwards to release the fascia retaining clips (2) under the headlamps. Remove the vehicle fascia.

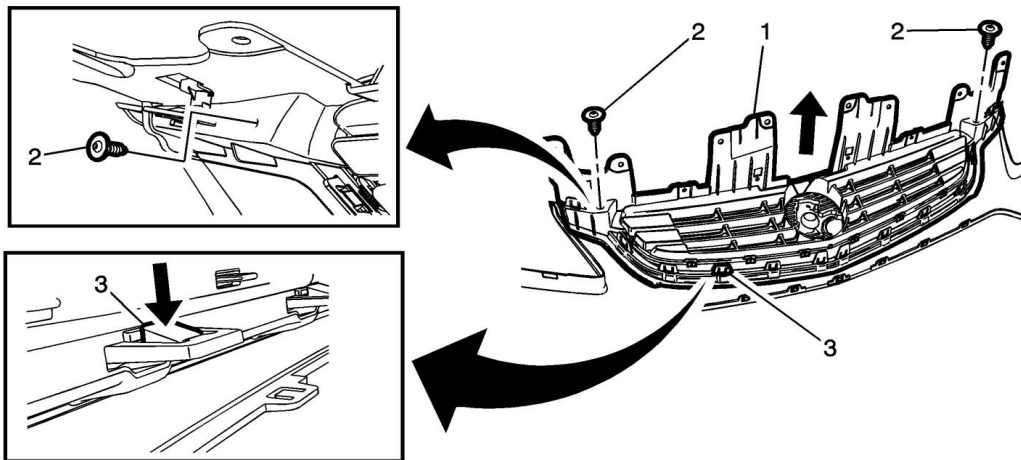


**Caution:** Place vehicle fascia on a stable work surface and take suitable precaution to protect the painted surface from any damage.

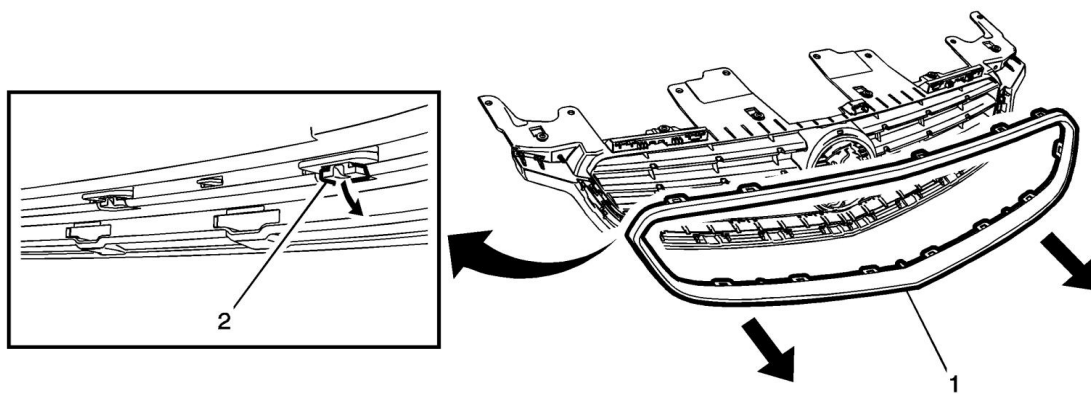
7. Remove the lower center grille (1) from the rear of the fascia by carefully releasing the fascia grille retaining clips (2) (19 places).



8. Remove the lower center grille trim surround (1) by carefully levering the tabs (2) upwards to release the retaining clips (3) (21 places).
9. Install accessory lower center grille trim surround to the lower center grille in a reverse manner to Step 8 ensuring all clips are correctly secured.
10. Re-install lower grille assembly to the vehicle fascia ensuring all clips are properly secured.



11. Remove the upper grille (1) from the rear of the fascia by first removing the two retaining screws (2). Release the fascia grille retaining clips (3) (12 places). Carefully pull the grille out from the fascia.



12. Remove the upper grille trim surround (1) by carefully releasing the retaining clips (2) (15 places).
13. Install accessory grille trim surround to the upper grille in a reverse manner to Step 12 ensuring all clips are correctly secured.
14. Re-install upper grille assembly to the vehicle fascia ensuring all clips are properly secured.
15. Re-install vehicle fascia and front wheel arch liners to the vehicle in the reverse order as removed in Steps 1 through 6.

Front Grille Kit Installation

PARTS LIST	
DESCRIPTION	QUANTITY
Part Number: 92272910 92272911	
Upper Grille Trim	1
Lower Grille Trim	1
Instructions	1